



Expansion & Wall Curbs

Technical Product Information

EC-4A & EC-4B Styles

P.O. NUMBER _____

CUSTOMER _____

PROJECT _____

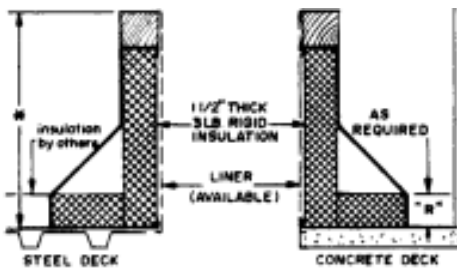
LOCATION _____

ARCHITECT _____

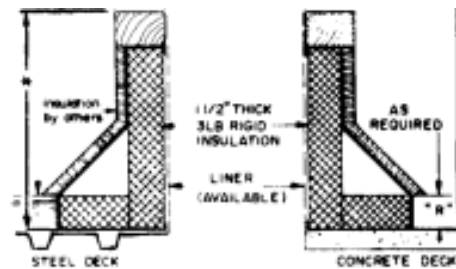
STANDARD CONSTRUCTION

- 18 GAUGE GALVANIZED STEEL
- 1-1/2", 3LB. DENSITY FIBERGLASS INSULATION
- WOOD NAILER
 - "A" STYLE FLUSH
 - "B" STYLE _____ OVERHANG
- UNITIZED CONSTRUCTION
- INTERNALLY REINFORCED

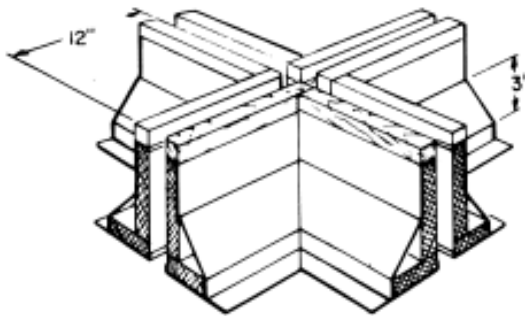
NOTE: STANDARD LUMBER OVERHANG 1/2"
UNLESS SPECIFIED OTHERWISE



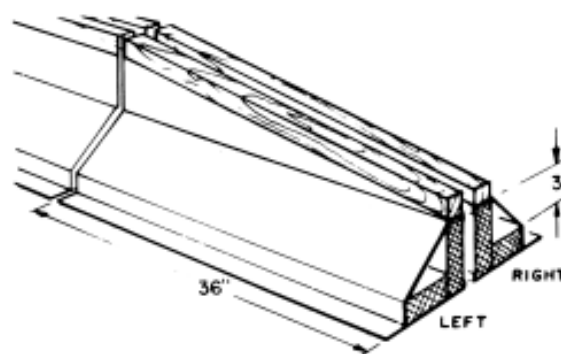
EC-4A STYLE



EC-4B STYLE



INTERSECTING JOINT
(Inside Corner (4 req'd))



SLOPING END SECTION
(Left & Right Sections available)

* NOTE: STANDARD OVERALL HEIGHT 9-1/2" and "R"= 1-1/2" UNLESS SPECIFICALLY SHOWN BELOW

PROJECT REQUIREMENTS								
QTY.	STYLE	LENGTH	* OVERALL HEIGHT	"B" STYLE NAILER OVERHANG	"R" DIM.	PITCH REQUIREMENTS		TAG
						PITCH	RUN	