



Expansion & Wall Curbs

Technical Product Information

EC-3A & EC-3B Styles

P.O. NUMBER _____

CUSTOMER _____

PROJECT _____

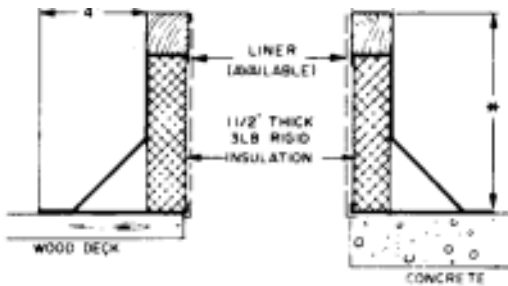
LOCATION _____

ARCHITECT _____

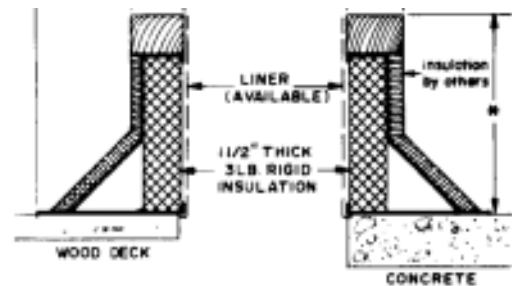
STANDARD CONSTRUCTION

- 18 GAUGE GALVANIZED STEEL
- 1-1/2", 3LB. DENSITY FIBERGLASS INSULATION
- WOOD NAILER
 - "A" STYLE FLUSH
 - "B" STYLE _____ OVERHANG
- UNITIZED CONSTRUCTION
- INTERNALLY REINFORCED

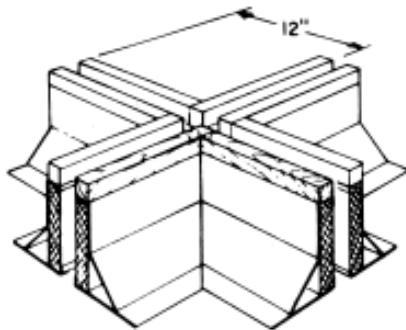
NOTE: STANDARD LUMBER OVERHANG 1/2" UNLESS SPECIFIED OTHERWISE



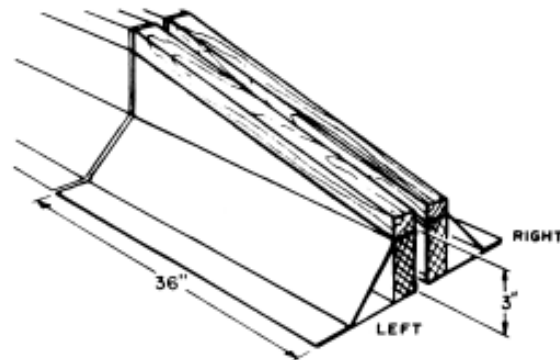
EC-3A STYLE



EC-3B STYLE



INTERSECTING JOINT
(Inside Corner (4 req'd))



SLOPING END SECTION
(Left & Right Sections available)

* NOTE: STANDARD OVERALL HEIGHT 8" UNLESS SPECIFICALLY SHOWN BELOW

| PROJECT REQUIREMENTS | | | | | | | |
|----------------------|-------|--------|------------------|---------------------------|--------------------|-----|-----|
| QTY. | STYLE | LENGTH | * OVERALL HEIGHT | "B" STYLE NAILER OVERHANG | PITCH REQUIREMENTS | | TAG |
| | | | | | PITCH | RUN | |
| | | | | | | | |