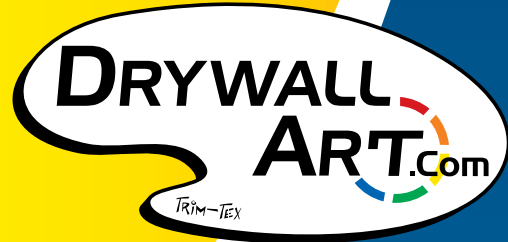


FOR MORE DESIGN IDEAS,
GET INSPIRED AT:



MASTER DISTRIBUTOR FOR:



2008 COMMERCIAL & RESIDENTIAL PRODUCTS

- RIGID VINYL DRYWALL BEADS
- CORNER CAPS & ACCESSORIES
- INSTALLATION & FINISHING TOOLS
- EXPANSION JOINTS & CEILING PRODUCTS
- SPRAY ADHESIVES & ABRASIVE PRODUCTS
- CROWN MOLDINGS & DRYWALL ART BEADS

WELCOME TO THE 2008 TRIM-TEX CATALOG NOW FEATURING!

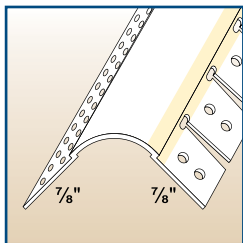
- Over 100 new products and more than 500 SKU's
- Many more 9 ft. length beads available (UPS-able)
- Smaller package quantities available for many products



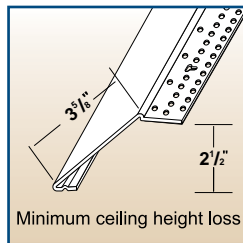
**BLACK WIDOW #540
PRO SANDER
(PG. 5)**



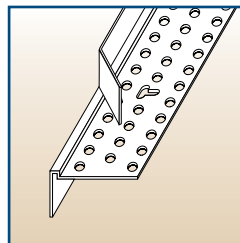
**#540 SANDING PADS
(PG. 5)**



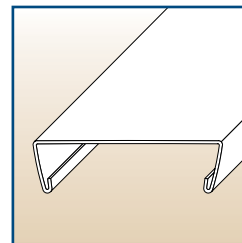
**3/4" R. NO NOTCH
SPRUNG ARCH
(PG. 24)**



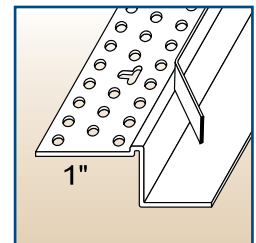
**EZ-TRAY 2.5
(PG. 21)**



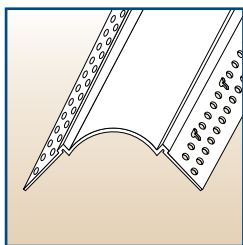
**TEAR AWAY XT
EXTRA TALL MASKING
(PG. 13)**



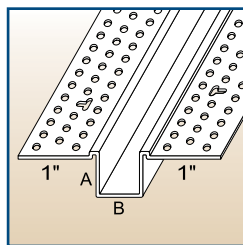
**WHITE SNAP CAP
(PG. 17)**



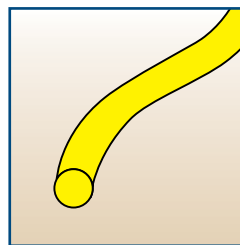
**TEAR AWAY
SHADOW BEAD
(PG. 17)**



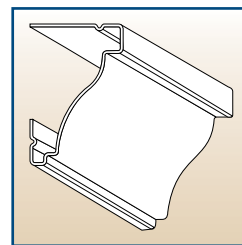
**STEP A BULL
(PG. 25 & 27)**



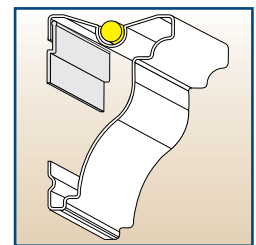
**5/8" DEEP REVEALS
(PG. 16)**



**DECORATIVE REVEAL
INSERTS
(PG. 16)**



**GLUE ON CROWN
MOLDING
(PG. 10)**



**CROWN MOLDING WITH
ROPE LIGHT CHANNEL
(PG. 10)**



**INDIVIDUAL SANDING
BLOCKS
(PG. 4)**



**NORTH SAFETY
RESPIRATORS
(PG. 8)**



**BACKERBOARD™
(PG. 3)**



**IRWIN PRO TOUCH™
KNIFE
(PG. 6)**



**IRWIN PRO TOUCH™
DRYWALL JAB SAW
(PG. 7)**



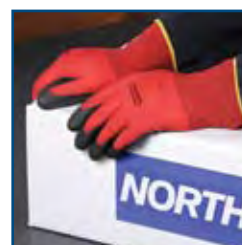
**MUD-MAX ADDITIVE
(PG. 2)**



**IRWIN AVIATION SNIPS
(PG. 6)**



**IRWIN UTILITY BLADES
(PG. 6)**



**FLEX RED VIPER GLOVE
(PG. 9)**



**REBEL™ SAFETY
EYEWEAR (PG. 8)**



847™ SPRAY ADHESIVE

- 847 SPRAY ADHESIVE IS A HIGH TACK, PRESSURE SENSITIVE SPRAY ADHESIVE SPECIFICALLY DESIGNED AND TESTED BY OUR ENGINEERS TO BE USED WITH TRIM-TEX VINYL BEADS.
- TRIM-TEX 847 IS A MUST FOR INSTALLING EXPANSION PRODUCTS SUCH AS MAGIC CORNER, HIDEAWAY EXPANSION AND 093V EXPANSION.

848™ CITRUS CLEANER

- 848 CITRUS CLEANER IS DESIGNED TO REMOVE ADHESIVE OVERSPRAY FROM TRIM-TEX VINYL BEADS AND OTHER BUILDING MATERIALS.

STOCK No.	Pcs. PER BOX
847M	1 CASE = 4 CANS
847	1 CASE = 12 CANS
848M	1 CASE = 4 CANS
848	1 CASE = 6 CANS



MUD-MAX

- MUD-MAX IS DESIGNED TO IMPROVE THE STRENGTH AND ADHESIVE PERFORMANCE OF ALL DRYWALL COMPOUNDS, TEXTURES AND PLASTER PRODUCTS.
- MUD-MAX IS A UNIQUE FORMULATION CONTAINING OVER 60% ADHESIVE POLYMER BY WEIGHT.
- PERFECT WHEN BONDING PAPER, METAL OR VINYL BEADS TO DRYWALL AND APPLYING PLASTER PRODUCTS ONTO METAL OR VINYL BEADS.
- ONE GALLON OF MUD-MAX WILL TREAT UP TO 16 BOXES OF COMPOUND WHILE IMPROVING THE WORKABILITY AND SMOOTHNESS.
- DON'T JUST THIN DOWN YOUR COMPOUND WITH WATER, GIVE IT A BOOST WITH MUD-MAX.

STOCK No.	Pcs. PER BOX
851M	1 CASE = 4 PINTS
850	1 CASE = 4 GALLONS
851	1 CASE = 12 PINTS



TRIM-TEX™ #710 ADHESIVE CAULK

- TRIM-TEX DESIGNED THE 710 CAULK TO BE A HIGH QUALITY BEAD INSTALLATION ADHESIVE AS WELL AS A GOOD PAINTER'S CAULK. USE 710 TO INSTALL TRIM-TEX CROWN MOLDINGS, CHAIR RAILS AND OTHER DECORATIVE L BEADS. SEE PRODUCT INSTALLATION INSTRUCTIONS FOR MORE DETAILS. THE 710 IS ALSO AN ACRYLIC PAINTABLE CAULK THAT CAN ACCEPT INTERIOR LATEX BASED PAINTS. TRIM-TEX 710 IS FOR INTERIOR USE ONLY.

STOCK No.	Pcs. PER BOX
710M	1 CASE = 4 TUBES
710	1 CASE = 24 TUBES



TEX11™ SPRAY ADHESIVE & TEXTURE PREP

- NOT ALL TEXTURE PRODUCTS ARE DESIGNED EQUALLY. IN HOUSE TESTING HAS SHOWN THAT SOME TEXTURE PRODUCTS ADHERE POORLY TO CERTAIN BEADS. TO COMBAT THIS, TRIM-TEX HAS DESIGNED THE TEX11 TEXTURE PREP. SPRAY A LIGHT COAT OVER THE BEAD TO SIGNIFICANTLY INCREASE THE BONDING POWER OF ANY TEXTURE PRODUCT.
- TEX11 IS A GREAT ALL PURPOSE JOBSITE ADHESIVE

STOCK No.	Pcs. PER BOX
811M	1 CASE = 4 CANS
811	1 CASE = 12 CANS

STAPLE GUNS & STAPLES

- 1/2" DIVERGENT STAPLES ARE DESIGNED TO SPLAY OUTWARD AS THEY ENTER THE DRYWALL INCREASING HOLDING POWER. PACKAGED 5000 PCS. PER PACK IN CASE QUANTITIES SHOWN.
- THE SUPER SURE SHOT HAND STAPLE GUN IS A HEAVY DUTY INDUSTRIAL QUALITY STAPLE GUN WITH FULLY ADJUSTABLE POWER SETTING, AND A UNIQUE JAM CLEAR MECHANISM.
- INSTALL BEADS AT 10 TIMES THE SPEED WITH OUR ELECTRIC OR PNEUMATIC STAPLE GUNS



STOCK No.	Pcs. PER BOX
860M	1 PACK = 5000 STAPLES
860	1/2 CASE = 10 PACKS
861	1 CASE = 20 PACKS
866-IND	1 HAND STAPLE GUN
867	1 PNEUMATIC STAPLE GUN
868	1 ELECTRIC STAPLE GUN

3/4" & 1 1/2" BULLNOSE MITER MARKER

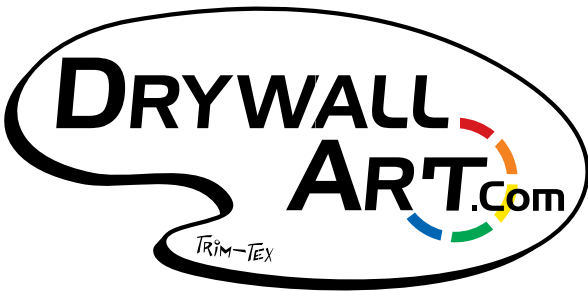
- CREATE PERFECT INSIDE CORNERS WITH THE BULLNOSE MITER MARKER. THIS HIGH QUALITY TOOL INCLUDES MITER MARKING FOR 90° AND 135° OFF ANGLE INSIDE CORNERS AS WELL AS ALIGNMENT MARKS THAT ELIMINATE THE GUESSWORK WHEN FINISHING DOOR AND WINDOW OPENINGS. EACH TOOL COMES COMPLETE WITH FULL COLOR USAGE INSTRUCTIONS AND WORK ON ALL 3/4" & 1 1/2" BULLNOSE PRODUCTS, INCLUDING BULLNOSE CORNER BEAD, BULLNOSE SUPER & GIANT L BEADS AND BULLNOSE FAST CAP.
- NOTE: 1 1/2" MITER MARKER TOOL ONLY INCLUDES MARKING FOR 90° CORNERS.



STOCK No.	SIZE	Pcs. PER BOX
0932M	3/4"	10
0932	3/4"	40
0933	1 1/2"	5



Come visit our New Interactive Website
 DrywallArt.com for Design Ideas, Tips,
 Techniques, How-To Videos
 and much much more!



www.DrywallArt.com

INSTALLATION PRODUCTS	2
BACKING PRODUCTS & FINISHING TOOLS	3
ABRASIVE PRODUCTS	4
BLACK WIDOW PRO SERIES TOOLS & ABRASIVES	5
IRWIN TOOLS	6-7
NORTH SAFETY PRODUCTS	8-9
CROWN MOLDINGS.....	10
DECORATIVE L BEADS	11
J BEADS.....	12
L BEADS.....	12-13
SUPER, GIANT, REGULAR & BULLNOSE L BEADS.....	14
FAST CAPS & BULLNOSE FAST CAPS	15
COMMERCIAL PRODUCTS	16-17
CORNER BEADS	18
JUMBO CORNER BEADS	19
CHAMFER BEADS.....	20
EZ-TRAY CEILING SYSTEM.....	21
350 BULL BEADS.....	22
350 BULL ACCESSORIES	23
3/4" BULLNOSE BEADS	24-25
1 1/2" BULLNOSE BEADS	26-27
STEP A BULL	25,27
PREFINISHED WALLBOARD BEADS.....	28
EZ-TRAY SYSTEMS.....	29
PHOTO GALLERY	30-39
TEAM TRIM-TEX	40





BACKERBOARD™

- BACKERBOARD IS A HIGH STRENGTH PLYWOOD BACKING PRODUCT THAT ALLOWS YOU TO ATTACH CABINETS, SHELVES, GRAB RAILS OR JUST ABOUT ANYTHING ELSE YOU WANT TO HANG ON OR ATTACH TO A WALL.
- INSTALLS INSIDE THE WALL CAVITY, NOT OVER THE STUDS, RESULTING IN A PERFECTLY FLAT WALL.

**AVAILABLE IN SKID QUANTITIES:
500 PCS/UNBOXED #830S**

STOCK No.	LENGTH	Pcs. PER BOX
830	16" FIRE TREATED	20
830S	16" FIRE TREATED	500
831	16" STANDARD	20
832	24" FIRE TREATED	20
833	24" STANDARD	20



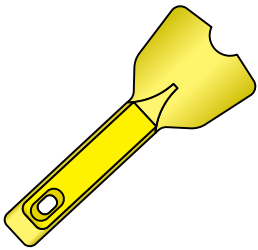
BUTTBORD™ DRYWALL BACKER

- PERFECTLY FLAT WALLS AND CEILINGS ARE FINALLY POSSIBLE WITH BUTTBORD. THIS INNOVATIVE PRODUCT PULLS BACK THE EDGES OF THE CUT END OF THE DRYWALL CREATING A TAPERED EDGE, THAT CAN NOW BE FINISHED AS A STANDARD TAPERED JOINT. THE RESULT IS A PERFECTLY FLAT WALL. BUTTBORD INSTALLS EASILY WITH DRYWALL SCREWS. IN-HOUSE TESTING HAS SHOWN THAT THE TAPERED EDGE BECOMES PERMANENT AND WILL NOT RELEASE OR CAUSE CRACKS IN THE SEAM.

**AVAILABLE IN SKID QUANTITIES:
35 BOXES/420 PIECES**

STOCK No.	LENGTH	Pcs. PER BOX
825	48"	12
826	54"	12

U.S. PATENT #6,108,990



3/4" R. BULLNOSE CLEANING TOOL

- THE BULLNOSE CLEANING TOOL IS DESIGNED TO CLEAN COMPOUND FROM THE TRIM-TEX 3/4" R. BULLNOSE OUTSIDE CORNER & 3/4" R. OUTSIDE SPLAYED BULLNOSE CORNER. ONE QUICK & EFFICIENT TOOL MINIMIZES SANDING ON THE RADIUS OF THE BEAD. MADE OF LONG LASTING POLYPROPYLENE, THE TOOL RADIUS ACTUALLY IMPROVES WITH USE.

STOCK No.	SIZE	Pcs. PER BOX
0929	3/4"	10

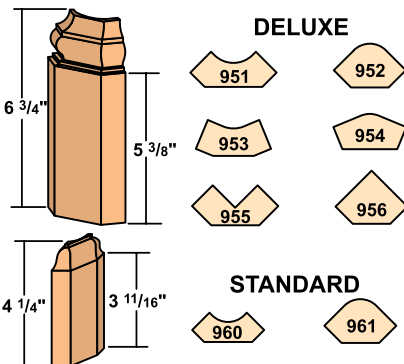
U.S. PATENT #5,392,484



3/4" & 1 1/2" ARCHWAY BULLNOSE FINISHING TOOL

- FINISHING ARCHWAY BULLNOSE HAS JUST GOTTEN EASIER. USE THIS QUALITY TOOL WITH EACH COAT OF MUD TO WIPE THE RADIUS OF 3/4" & 1 1/2" R. BULLNOSE ARCHWAY CORNERS. THE TOOL CLEANS OFF THE EXCESS COMPOUND WHILE HELPING TO FILL THE SLOTS WITH MUD AS SHOWN TO THE LEFT.

STOCK No.	SIZE	Pcs. PER BOX
0928M	3/4"	5
0928	3/4"	12
0927	1 1/2"	5



WOOD BULLNOSE CORNER BLOCKS By MIDWESTERN WOOD PRODUCTS

- TO COMPLEMENT 3/4" BULLNOSE APPLICATIONS, TRIM-TEX NOW STOCKS POPLAR STAND-ALONE BLOCKS DESIGNED TO FINISH BULLNOSE CORNERS. CAN BE USED WITH ALMOST ANY BASEBOARD. DELUXE STYLE CAN ACCOMMODATE BASEBOARD UP TO 5 3/8" TALL AND 13/16" THICK. STANDARD STYLE CAN ACCOMMODATE UP TO 3 11/16" TALL AND 9/16" THICK. BULLNOSE CORNER BLOCKS COME IN SPECIAL SIZES AND WOOD SPECIES INCLUDING RED OAK, AS WELL AS BASEBOARDS, BULLNOSE CROWNS AND OTHER BEAUTIFUL PRODUCTS AVAILABLE FROM MIDWESTERN WOOD PRODUCTS. (309) 266-9771

STOCK No.	STYLE	Pcs. PER BOX
951	DELUXE BULLNOSE OUTSIDE	10
952	DELUXE BULLNOSE INSIDE	10
953	DELUXE BULLNOSE SPLAYED OUTSIDE	10
954	DELUXE BULLNOSE SPLAYED INSIDE	10
955	DELUXE SQUARE OUTSIDE	10
956	DELUXE SQUARE INSIDE	10
960	STANDARD BULLNOSE OUTSIDE	20
961	STANDARD BULLNOSE INSIDE	20

6 ABRASIVE PRODUCTS



PATENT# D480,619

DUAL ANGLE DUAL GRIT SANDING BLOCK

• THE TRIM-TEX DUAL ANGLE DUAL GRIT SANDING BLOCK IS 40% LARGER THAN STANDARD BLOCKS. MEASURING IN AT 5" X 3 1/4" THIS PREMIER SANDING BLOCK FEATURES TWO TAPERED EDGES TO SIMPLIFY CORNER SANDING AND THE RADIUS EDGES TO PREVENT GOUGING AND SCUFFING OF COMPOUND.

RADIUS EDGE PREVENTS SCUFFING



PATENT# D480,619

SINGLE ANGLE SANDING BLOCK

• THE SINGLE ANGLE SANDING BLOCK IS ALSO 40% LARGER THAN STANDARD BLOCKS AND FEATURES A STEEP TAPERED EDGE TO SIMPLIFY CORNER SANDING AND THE TRIM-TEX EXCLUSIVE RADIUS CORNER. THE RADIUS CORNER PREVENTS SCRATCHING AND GOUGING OF THE DRYWALL COMPOUND WHILE THE TAPERED EDGE PREVENTS UNINTENTIONAL SANDING OF THE OPPOSITE WALL. AVAILABLE IN MEDIUM AND FINE GRITS.

RADIUS EDGE PREVENTS SCUFFING



PATENT# D480,619

STANDARD SANDING BLOCK

• TRIM-TEX NOW OFFERS A STANDARD SIZE SANDING BLOCK. THE BLOCK MEASURES 2 3/4" X 1" X 4" AND IS AVAILABLE IN MEDIUM AND FINE GRITS. THE BLOCK ALSO FEATURES THE TRIM-TEX EXCLUSIVE RADIUS EDGE WHICH PREVENTS UNWANTED SCUFFING AND GOUGING OF THE DRYWALL COMPOUND.

RADIUS EDGE PREVENTS SCUFFING



SANDING SPONGES

• THE TRIM-TEX SANDING SPONGE IS A 4" X 5" FLEXIBLE PAD WITH A FINE GRIT. IT EASILY CONFORMS TO ALL BULLNOSE AND CHAMFER BEADS FOR PERFECT DETAIL SANDING. USE TO FINISH THE TRANSITION BETWEEN VINYL BEADS AND INJECTION MOLDED CORNERS. ALSO GREAT FOR LIGHT SANDING OF 3/4" & 1 1/2" ARCHWAY BULLNOSE BEADS.



RADIUS 360° SANDING TOOL & ACCESSORIES

• THE RADIUS 360° SANDING TOOL FEATURES A FULL 9" DIAMETER, DIE-CAST ALUMINUM HEAD WITH WIDE PIVOT BRACKETS GIVING THE TOOL UNIQUE SIDE-TO-SIDE, UP AND DOWN, AND CIRCULAR MOBILITY. THE ROUND DESIGN MINIMIZES FLIPPING.

Stock No.	DESCRIPTION	UNITS PER BOX
360	RADIUS 360 SANDING TOOL	6
362	RADIUS 360 STD. FOAM REPLACEMENT PAD	6
363	RADIUS 360 DENSE FOAM REPLACEMENT PAD	6
365-80	360 SANDING DISC 80 GRIT	100
365-100	360 SANDING DISC 100 GRIT	100
365-120	360 SANDING DISC 120 GRIT	100
365-150	360 SANDING DISC 150 GRIT	100
365-180	360 SANDING DISC 180 GRIT	100
365-220	360 SANDING DISC 220 GRIT	100
365-240	360 SANDING DISC 240 GRIT	100

STOCK No.	GRIT	Pcs. PER BOX
885	MEDIUM/ FINE	24
885-BULK	MEDIUM/ FINE	100
885-IND*	MEDIUM/ FINE	24

*ALSO AVAILABLE INDIVIDUALLY SLEEVED

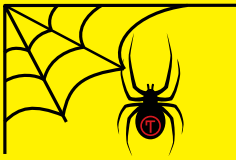


STOCK No.	GRIT	Pcs. PER BOX
888F	FINE	24
888F-BULK	FINE	100
888F-IND*	FINE	24
888M	MEDIUM	24
888M-BULK	MEDIUM	100
888M-IND*	MEDIUM	24

*ALSO AVAILABLE INDIVIDUALLY SLEEVED

STOCK No.	GRIT	Pcs. PER BOX
883F	FINE	24
883F-BULK	FINE	180
883M	MEDIUM	24
883M-BULK	MEDIUM	180

STOCK No.	Pcs. PER BOX
881	50 PC. DISPLAY BOX
881-BULK	250 PC BULK BOX



BLACK WIDOW PRO SERIES



#540 Pro Series Sander

- 60% LARGER SANDING SURFACE.
- SAND WIDE SEAMS AND INTO THE CORNERS WITH THE ONE TOOL.
- PATENTED HOOK DESIGN MOLDED INTO THE TOOL.
- ALL IN ONE FOAM & GRIT QUICK CHANGE SYSTEM MEANS NO SEPARATE COSTLY FOAM PADS TO WEAR OUT.
- NO-FLIP DESIGN



Stock No.	LENGTH	Pcs. PER BOX
540	#540 Pro Series Sander	4

#540 Sanding Pads

- 1 PIECE QUICK CHANGE SYSTEM
- 60% LARGER SANDING SURFACE.
- HEAVY DUTY TEAR RESISTANT SANDING SURFACE.
- ALL IN ONE FOAM & GRIT SYSTEM MEANS NO SEPARATE COSTLY FOAM PADS TO WEAR OUT.



Stock No.	GRIT	Pcs. PER BOX
550-120	120 GRIT	16 (4 PACKS. OF 4)
550-150	150 GRIT	16 (4 PACKS. OF 4)
550-180	180 GRIT	16 (4 PACKS. OF 4)
550-220	220 GRIT	16 (4 PACKS. OF 4)

SANDING POLES

- TRIM-TEX STOCKS A VARIETY OF STANDARD WOOD & EXTENSION POLES FOR USE WITH THE 540 PRO SANDER.
- USE THE 380 POLE ADAPTER WHEN USING THE 540 PRO SANDER WITH EXTENSION POLES

Stock No.	DESCRIPTION	UNITS PER BOX
375	WARNER BLUE ADJUSTABLE STEEL POLE, 4'- 6.5'	10
376	WARNER YELLOW HEAVY DUTY ADJUSTABLE POLE 3'-6'	6
377	MARSHALLTOWN 48" WOODEN POLE	12
378	MARSHALLTOWN 60" WOODEN POLE	12
380	WARNER POLE ADAPTER	10





BI-METAL BLUE BLADE™ UTILITY BLADES

- FEATURES PATENTED BI-METAL TECHNOLOGY THAT SETS NEW STANDARDS OF PERFORMANCE.
- UNBREAKABLE: SPRING STEEL BODY DELIVERS SUPERIOR FLEXIBILITY TO PREVENT BREAKING.
- LASTS LONGER: HIGH SPEED STEEL CUTTING EDGE STAYS SHARP LONGER THAN TRADITIONAL CARBON UTILITY BLADES.
- FITS MOST UTILITY KNIVES.

STOCK No.	DESCRIPTION	QTY. PER CTN
2084100	5-PACK IRWIN BLUE BLADE™	5 PKS OF 5
2084200	20-PACK IRWIN BLUE BLADE™	5 PKS OF 20
2084300	50-PACK IRWIN BLUE BLADE™	5 PKS OF 50
2084400	100-PACK IRWIN BLUE BLADE™	5 PKS OF 100
2083200	100-PACK CARBON BLADE	5 PKS OF 100



ProTouch™ KNIFE

- ProTouch™ ERGONOMIC GRIP
- OPTIMIZED CUTTING ANGLE FOR REDUCED FATIGUE
- EASY TOOL-FREE ENTRY
- FEATURES INSIDE STORAGE FOR UP TO 5 BLADES
- INCLUDES 3 IRWIN BLUE BLADE™ BI-METAL UTILITY BLADES
- COMES IN RETRACTABLE AND FIXED

STOCK No.	DESCRIPTION	QTY. PER CTN
2081200	ProTouch™ FIXED KNIFE	5
2082200	ProTouch™ RETRACTABLE KNIFE	5
2081100	STANDARD FIXED KNIFE	5
2082100	STANDARD RETRACTABLE KNIFE	5

IRWIN FOLDING KNIFE

- BLUE BLADE TECHNOLOGY
- WIDE THUMB LEDGE
- LOCKING RELEASE
- WIRE STRIPPER NOTCH
- QUICK CHANGE BUTTON

STOCK No.	LENGTH	QTY. PER CTN
2089100	ProTouch™ FOLDING UTILITY KNIFE	10

PHILLIPS® HEAD INSERT BITS

- COLD FORGED CYLINDRICAL BODY ABSORBS HIGHER TORQUE LOAD
- COLD FORGED BIT FOR BETTER FITMENT & LESS CAM OUT
- FEWER STRIPPED SCREWS

STOCK No.	DESCRIPTION	QTY. PER CTN
3053002	#2 PHILLIPS® HEAD 1" INSERT BITS	5 PKS OF 2
3053003	#2 PHILLIPS® HEAD 1" INSERT BITS	10 PKS OF 20



TORSION 3X LIFE

IRWIN AVIATION SNIPS

- COLD-FORMED BLADES ARE 44% STRONGER, AND REQUIRES 25% LESS CUTTING FORCE
- 12 GAUGE ALLOY STEEL SPINES PROVIDE INCREASED RIGIDITY AND LESS FLEXING
- LOWER SERRATED BLADE GRIPS MATERIAL FOR A SMOOTHER CUT WITH NO DOUBLE-MARKED EDGES
- GREAT FOR CUTTING ALL DRYWALL BEADS

STOCK No.	DESCRIPTION	QTY. PER CTN
2073113	AVIATION SNIPS	5



25' TAPE MEASURE

- QUICK MARK™ TIP - FOR FAST AND EASY MARKING - NO PENCIL NEEDED
- POSITIVE ACTION TOGGLE LOCK - FOR FAST AND EASY BLADE LOCKING
- 10 FEET STANDOUT - FOR PROFESSIONAL MEASURING APPLICATIONS
- BLADE BRAKE - FOR SAFE RETRACTION OF THE BLADE
- PRO TOUCH™ GRIP - FOR ENHANCED CONTROL OF THE TAPE

STOCK No.	DESCRIPTION	PACKAGING
2121600	25' x 1"	6





100' FAST RETRIEVE CHALK REEL

- RETRIEVES CHALK LINE OVER 3X FASTER THAN A STANDARD CHALK REEL.
- CRANK HANDLE CLUTCH RELEASE ALLOWS RELEASE OF THE LINE WITHOUT SPINNING THE CRANK HANDLE.
- PATENTED HOOK STORAGE AND DOOR LOCKING MECHANISM VIRTUALLY ELIMINATE SPILLS AND LINE TANGLES.

STOCK No.	DESCRIPTION	QTY. PER CTN
64310	100' FAST RETRIEVE CHALK REEL	6

100' SL6X CHALK REEL

- 6X FASTER HELICAL GEAR SYSTEM (6:1 RATIO) SAVES TIME AND MONEY
- 2X STRONGER TWISTED POLYESTER & NYLON LINE RESISTS FRAYING AND BREAKING PLUS ABSORBS CHALK QUICKLY FOR DARKER, SHARPER LINES
- HIGH-IMPACT RUBBER GRIP AND DIECAST METAL PLATES MAKE THE SL6X 50% MORE DURABLE IF DROPPED FROM TWO STORIES

STOCK No.	DESCRIPTION	QTY. PER CTN
2031303	SL6X HIGH PERFORMANCE CHALK REEL	6

HIGH VISIBILITY CHALK FOR SELF CHALKING LINE REELS

- FOR USE ON A VARIETY OF SURFACES INCLUDING WOOD, DRYWALL, CONCRETE, STONE, AND METAL
- PERMANENT COLOR, RED, PRODUCES LONG LASTING LINES THAT WON'T FADE
- TEMPORARY COLOR, BLUE, IS EASY TO REMOVE
- CHALK CONTAINERS ARE FILLED BY WEIGHT, NOT VOLUME
- PROPRIETARY FORMULATIONS FOR DARK, SHARP LINES AND RELIABLE PERFORMANCE

STOCK No.	DESCRIPTION	PACKAGING
64901	BLUE CHALK	6
64902	RED CHALK	6



9-IN-1 MULTI-TOOL

- ERGONOMIC PROTOUCH™ GRIP PROVIDES MAXIMUM TORQUE AND COMFORT
- INTERNAL STORAGE KEEPS BITS AND NUT SETTERS LOCKED IN PLACE AND CLOSE AT HAND
- 9 BITS AND NUT SETTERS FOR USE ON A VARIETY OF FASTENERS AND NUTS
- SLIP RESISTANT GRIP

STOCK No.	DESCRIPTION	PACKAGING
2051100	9-IN-1 MULTI-TOOL	6



MAGNETIC I-BEAM LEVELS

- RARE EARTH MAGNETS ARE 30% STRONGER THAN STRIP MAGNETS
- MAGNAVIALS™ ARE 20% LARGER FOR EASY, ACCURATE READING
- SHOCK ABSORBING RUBBER END CAPS
- PATENT-PENDING DUAL CHAMBER DESIGN IS 2X STRONGER THAN TRADITIONAL I-BEAM LEVELS
- ACRYLIC VIAL HOUSINGS ARE IMPACT RESISTANT
- TOP READ™ WINDOW ALLOWS FOR CONVENIENT VIEWING



STOCK No.	DESCRIPTION	PACKAGING
2035201	24" MAGNETIC I-BEAM LEVEL	4
2035203	48" MAGNETIC I-BEAM LEVEL	4
2035207	78" MAGNETIC I-BEAM LEVEL	1

PROTOUCH™ DRYWALL/JAB SAW

- ERGONOMIC PROTOUCH™ GRIP
- THICK-BODY™ (1.5MM) BLADE
- AGGRESSIVE TRI-GROUND™ TEETH
- ERGONOMIC PROTOUCH™ HANDLE

STOCK No.	DESCRIPTION	QTY. PER CTN
2014100	PROTOUCH™ DRYWALL JAW SAW	4



STANDARD DRYWALL/JAW SAW

- RIGID (1.2MM) BLADE
- BI-GROUND TEETH
- HARDWOOD HANDLE

STOCK No.	DESCRIPTION	QTY. PER CTN
2014102	STANDARD DRYWALL JAW SAW	4



15" STANDARD COARSE CUT SAW

- 15" (381MM) BLADE LENGTH
- 1MM BLADE THICKNESS
- 9 PT. TOOTH COUNT
- HARDWOOD HANDLE

STOCK No.	DESCRIPTION	QTY. PER CTN
2011102	15" STANDARD COARSE CUT SAW	6



NORTH

Safety Products

TRIM-TEX... MASTER DISTRIBUTOR OF NORTH SAFETY PRODUCTS

DUE TO THE EXPANDED CONCERN FOR ON-THE-JOB SAFETY AND HEALTH ISSUES, TRIM-TEX OFFERS A SELECT LINE OF PROTECTIVE PRODUCTS FOR HEAD, HAND, EYE, RESPIRATORY, AND FIRST AID PRODUCTS THAT HELP IMPROVE PRODUCTIVITY AND ADD TO INCREASED BOTTOM LINE PROFITS.

FOR MORE THAN 75 YEARS, NORTH SAFETY HAS BEEN RECOGNIZED AS A LEADING SAFETY MANUFACTURER. PROVIDING THE BROADEST LINE OF PERSONAL PROTECTIVE EQUIPMENT. NORTH'S HISTORY OF PRODUCT INNOVATION IS IN THE FOREFRONT OF THE INDUSTRY.

WE ARE PROUD TO OFFER THIS LINE OF SAFETY PRODUCTS TO COMPLIMENT OUR INDUSTRY LEADING LINE OF DRYWALL FINISHING PRODUCTS, ALL AVAILABLE FROM YOUR ONE SOURCE.... TRIM-TEX, INC.

DEALERS DON'T FORGET TO BUY EXTRA FOR YOUR OWN DELIVERY AND WAREHOUSE CREWS.



7130N95

6130N95



7140N95

* WITH EXHALATION VALVE

DISPOSABLE PARTICULATE RESPIRATOR #6130N95 (Good)

- THIS DISPOSABLE MASK PROVIDES PROTECTION FROM DUST, MIST AND FUMES AT AN ECONOMICAL PRICE. THE MASK FEATURES A FOAM NOSE PAD AND LATEX FREE STRAPS. USE IN DUSTY ENVIRONMENTS THAT ARE FREE FROM OIL. NIOSH APPROVED. 30 RESPIRATORS PER BOX

STOCK No.	QTY. (Pcs.)	PACKAGING
6130N95T	30	1 BX OF 30
6130N95	300	10 BXS. OF 30
7130N95 T	20	1 BX OF 20
7130N95	240	12 BXS. OF 20
7140N95 T	10	1 BX OF 10
7140N95	100	10 BXS. OF 10

DISPOSABLE PARTICULATE RESPIRATOR #7130N95 (BETTER)

- NORTH SAFETY PRODUCTS HAS DESIGNED AND ENGINEERED THIS RESPIRATOR TO PROVIDE EXCEPTIONAL COMFORT AND WORKER PROTECTION. IT FEATURES A SOFT, CUSHIONED NOSE SEAL FOR ADDED COMFORT AND A CURVED NOSE CLIP FOR IMPROVED FIT. THE HEAD STRAPS ARE LATEX FREE. NIOSH APPROVED. 20 RESPIRATORS PER BOX

DISPOSABLE PARTICULATE RESPIRATOR #7140N95 (BEST)

- THIS IS THE BEST DISPOSABLE RESPIRATOR WE OFFER. THIS RESPIRATOR HAS ALL THE GREAT FEATURES OF THE 7130N95 WITH THE ADDITION OF A BUILT IN EXHALATION VALVE FOR COOLER AND EASIER BREATHING. NIOSH APPROVED. 10 RESPIRATORS PER BOX

PEAK HARD HAT

- THIS HIGH QUALITY HIGH DENSITY POLYETHYLENE HARD HAT FEATURES A RAIN TROUGH, 4 POINT NYLON WEB SUSPENSION, RATCHET ADJUSTMENT, AND 2 ANCHOR POINTS FOR CHIN STRAP. ANSI TYPE I CLASS E COMPLIANT. AVAILABLE IN YELLOW AND WHITE.

STOCK No.	COLOR	QTY. (Pcs.)	PKG
A79R010000T	WHITE	5	5
A79R010000	WHITE	20	20
A79R020000T	YELLOW	5	5
A79R020000	YELLOW	20	20

TORNADO™ SAFETY EYEWEAR (T58005)

- THESE HIGH QUALITY GLASSES ARE COMFORTABLE AND FEATURE THE NORTH 4A LENS COATING SYSTEM: ANTI-FOG, ANTI-SCRATCH, ANTI-UV (99.9%), & ANTI-STATIC. AVAILABLE IN CLEAR, SMOKE, AMBER AND MIRROR LENSES.

STOCK No.	COLOR	QTY. (Pcs.)	PKG
T58005BT	CLEAR	20	2 BXS OF 10
T58005B	CLEAR	50	5 BXS OF 10
T58005BST	SMOKE	20	2 BXS OF 10
T58005BS	SMOKE	50	5 BXS OF 10
T58005BAT	AMBER	20	2 BXS OF 10
T58005BA	AMBER	50	5 BXS OF 10
T58005BMT	MIRROR	20	2 BXS OF 10
T58005BM	MIRROR	50	5 BXS OF 10
T81005	CLEAR	12	1 BXS OF 12
T1300T	CLEAR	36	3 BXS OF 12
T1300	CLEAR	144	12 BXS OF 12

REBEL™ SAFETY EYEWEAR (T81005)

- HIGH 9 BASE CURVE UNI-LENS DESIGN
- ADJUSTABLE SOFT NOSE PIECE FOR INCREASED COMFORT
- LENSES ARE PROTECTED BY NORTH'S EXCLUSIVE 3A COATING (ANTI-SCRATCH, ANTI-UV AND ANTI-STATIC)

180 SLIMLINE™ SAFETY EYEWEAR (T1300)

- DEEP CURVE FOR BETTER COVERAGE AND WIDE FIELD OF VIEW.
- MADE OF LIGHTWEIGHT NON CONDUCTIVE HIGH IMPACT POLYCARBONATE MATERIAL.
- SOFT TEMPLE PADS FOR BETTER COMFORT.
- ABSORBS MORE THAN 99.9% OF HARMFUL UV LIGHT.





GLOVES WITH GRIP DOTS

THESE ECONOMICAL GLOVES ARE LIGHTWEIGHT AND ARE MADE FROM KNIT POLYESTER 65% AND COTTON 35%. A DOTTED COATING IMPROVES GRIP AND DURABILITY. THE REVERSIBLE STYLE CAN BE WORN ON EITHER HAND GIVING YOU FOUR WORKING SURFACES INSTEAD OF TWO.

Stock No.	SIZE	QTY. (Pcs.)	PKG
K311T	XL	36	3 PKS OF 12
K311	XL	144	12 PKS OF 12



DURO TASK GLOVES

RUBBER COATED GLOVES ARE AN ECONOMICAL ALTERNATIVE TO NITRILE COATED GLOVES. THESE GLOVES FEATURE A SEAMLESS LINER THAT PROVIDES SUPERIOR COMFORT AND LESSENS HAND FATIGUE. THE UNIQUE TEXTURED FINISH PROVIDES A SURE GRIP ON OBJECTS. GLOVES ARE COATED ON THE FINGERTIPS AND THUMB CROTCH TO MINIMIZE WEAR ON HIGH STRESS AREAS.

Stock No.	SIZE	QTY. (Pcs.)	PACKAGING
NF14/8MT	M	36	3 PKS OF 12
NF14/8M	M	144	12 PKS OF 12
NF14/9LT	L	36	3 PKS OF 12
NF14/9L	L	144	12 PKS OF 12
NF14/10XL T	XL	36	3 PKS OF 12
NF14/10XL	XL	144	12 PKS OF 12



CAUTION: THIS PRODUCT CONTAINS NATURAL RUBBER, LATEX PROTEINS WHICH MAY CAUSE ALLERGIC REACTIONS IN SOME INDIVIDUALS.

FLEX RED VIPER GLOVE

- FOAMED PVC PALM COATED GLOVES ARE WELL SUITED TO APPLICATIONS WHERE WORKERS HANDLE BOTH WET AND DRY OBJECTS AND NEED MODERATE PROTECTION FROM MECHANICAL HAZARDS.
- ABRASION RESISTANCE IS COMPARABLE TO POLYURETHANE, BUT THE COATING IS THICKER AND SOFTER, PROVIDING GREATER INHERENT SHOCK AND VIBRATION ABSORPTION.

Stock No.	SIZE	QTY. (Pcs.)	PACKAGING
NF11/9L	L	144	12 PKS OF 12
NF11/9LT	L	36	3 PKS OF 12
NF11/10XL	XL	144	12 PKS OF 12
NF11/10XL T	XL	36	3 PKS OF 12



DECI 4200 EARPLUGS

THESE COMFORTABLE EAR PLUGS MAXIMIZE NOISE PROTECTION. FLEXIBLE AND EASY TO USE, THEY ARE NON-TOXIC AND NON-IRRITATING. DISPOSABLE POLYURETHANE FOAM EAR PLUGS EXPAND TO FIT EAR CANAL. AVAILABLE CORDED AND UNCORDED. SEALED POLY POUCH, HI-VIZ ORANGE, NRR 32 dB.

Stock No.	STYLE	QTY. (Pcs.)	PKG
284240COT	CORDED	200	2 BXS. OF 100
284240CO	CORDED	1000	10 BXS. OF 100
284200UOT	UNCORDED	400	2 BXS. OF 200
284200UO	UNCORDED	2000	10 BXS. OF 200



BARRICADE TAPE

BRIGHT YELLOW "CAUTION" TAPE WITH BOLD BLACK LETTERING. 3" x 1000'. DISPENSER BOX

Stock No.	QTY. (Pcs.)	PACKAGING
CT3YE1	6	6 SINGLE BOXES



FIRST AID KIT (10 PERSON)

THE KIT CONTAINS ECONOMIC BULK SUPPLIES THAT CAN BE READILY ACCESSED WHEN NEEDED IN A PLASTIC WATERPROOF CASE. KITS ARE IDEAL FOR CONSTRUCTION SITES WHERE A WIDE VARIETY OF FIRST AID ITEMS ARE REQUIRED. ANSI Z308.1-2003 COMPLIANT.

Stock No.	QTY. (Pcs.)	PACKAGING
19700-0001LM	4	4 SINGLE BOXES
19700-0001L	10	10 SINGLE BOXES



12 CROWN MOLDINGS



DRYWALL ART CROWN MOLDINGS!

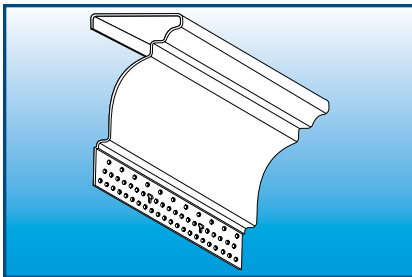
- THESE DECORATIVE MOLDING ADD STYLE AND ELEGANCE TO YOUR INTERIOR FINISHES WHILE ELIMINATING EXPENSIVE CALLBACKS AND TIME CONSUMING COPING.
- THE UNIQUE PROPERTIES OF THESE DECORATIVE PRODUCTS MAKE THEM SHRINK AND WARP PROOF – UNLIKE WOOD.
- BUILD LARGER CROWNS AT A FRACTION OF THE PRICE



3 1/2" CROWN MOLDING (PATENTED)



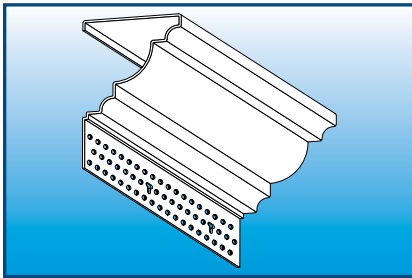
FOR OTHER GREAT CEILING PRODUCTS SEE OUR EZ-TRAY CEILING SYSTEM (PG. 21)



3 3/4" CROWN MOLDING

• TRIM-TEX EXPANDS OUR POPULAR LINE OF DRYWALL ART BEADS WITH THE ADDITION OF OUR NEW 3 3/4" CROWN MOLDING. THIS ELEGANT BEAD INCLUDES ALL OF THE DESIGN, ENGINEERING AND EASE OF INSTALLATION AS THE 3 1/2" AND 2 1/2" CROWN MOLDING. COMBINE WITH DECORATIVE L BEADS & LAYERS OF DRYWALL, FOR BIGGER SIZES AND ENDLESS DESIGN POSSIBILITIES.

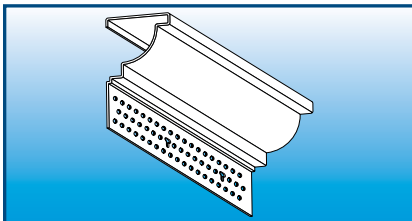
STOCK No.	LENGTH	Pcs. PER BOX
6310	10'	8
6312	12'	8



3 1/2" CROWN MOLDING

• THIS LARGER, VERY CLASSY LOOKING CROWN MOLDING PERFECTLY MATCHES THE 2 1/2" CROWN MOLDING. THE PROFILES OF BOTH MOLDINGS ARE SIMILAR, MAKING THE LARGER MOLDING LOOK LIKE A CUSTOM BUILT UP CROWN DETAIL. COMBINE WITH DECORATIVE L BEADS & LAYERS OF DRYWALL, FOR BIGGER SIZES AND ENDLESS DESIGN POSSIBILITIES.

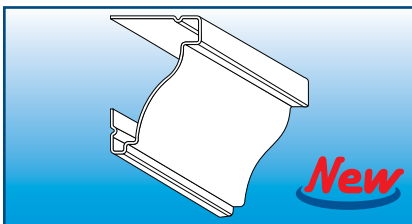
STOCK No.	LENGTH	Pcs. PER BOX
6210	10'	8
6212	12'	8



2 1/2" CROWN MOLDING

• THE 2 1/2" CROWN MOLDING FEATURES A MODERN, ELEGANT DESIGN. THIS DECORATIVE MOLDING IS MADE FROM VINYL SPECIALLY FORMULATED FOR THIS LINE OF PRODUCTS. INSTALLATION IS SIMPLE AND TAKES NO MORE TIME THAN WOULD BE REQUIRED TO PAPER TAPE AND COMPLETELY FINISH AN INSIDE CORNER.

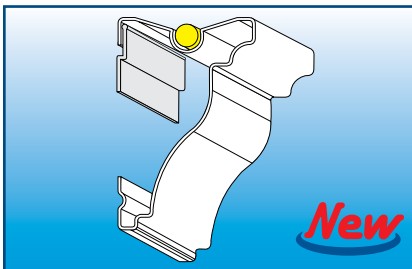
STOCK No.	LENGTH	Pcs. PER BOX
6110	10'	15
6112	12'	15



GLUE ON CROWN MOLDING

- SIMPLE TO USE.
- INSTALLS WITH #710 ADHESIVE CAULK.
- LOW COST UPGRADE WITHOUT REPAINTING ROOM.
- COMES WITH 4 TUBES OF #710 ADHESIVE CAULK.

STOCK No.	LENGTH	Pcs. PER BOX
6410	10'	8



GLUE ON CROWN MOLDING (WITH ROPE LIGHT CHANNEL)

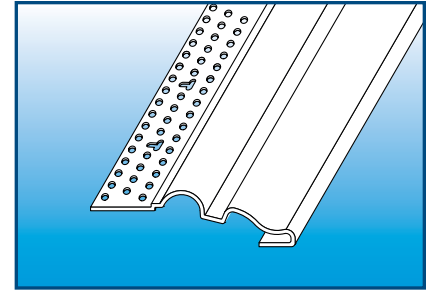
- FIRST CONTRACTOR GRADE CROWN TO INCLUDE BUILT IN ROPE LIGHT CHANNEL.
- HANGING CLIP SYSTEM SIMPLIFIES INSTALL.
- COMES WITH 1 TUBE OF #710 ADHESIVE CAULK.

STOCK No.	LENGTH	Pcs. PER BOX
6450	10'	4

DECORATIVE L BEAD STYLE 681

• THIS DECORATIVE L BEAD IS PERFECT FOR WAINSCOTTING, DECORATIVE CASING DETAILS AROUND WINDOW AND DOOR FRAMES AS WELL AS DRYWALL LAYERING DETAILS. IT CAN ALSO BE USED IN CONJUNCTION WITH OUR CROWN MOLDINGS TO ADD THAT CUSTOM LOOK AND SIZE.

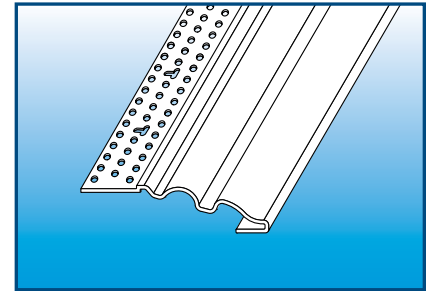
STOCK No.	SIZE	LENGTH	Pcs. PER BOX
68110	1/2"	10'	25
68120	5/8"	10'	25



DECORATIVE L BEAD STYLE 691

• THIS DECORATIVE L BEAD IS PERFECT FOR WAINSCOTTING, DECORATIVE CASING DETAILS AROUND WINDOW AND DOOR FRAMES AS WELL AS DRYWALL LAYERING DETAILS. IT CAN ALSO BE USED IN CONJUNCTION WITH OUR CROWN MOLDINGS TO ADD THAT CUSTOM LOOK AND SIZE.

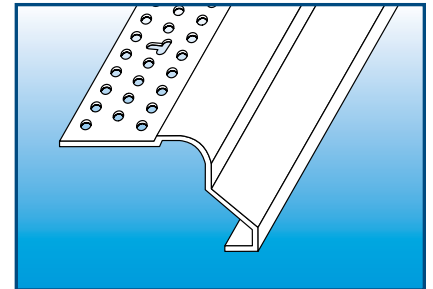
STOCK No.	SIZE	LENGTH	Pcs. PER BOX
69105	1/2"	10'	25
69110	5/8"	10'	25



DOUBLE 1/2" DECORATIVE L BEAD STYLE 651

• THIS DECORATIVE L BEAD IS DESIGNED TO FINISH TWO LAYERS OF 1/2" DRYWALL STACKED TOGETHER. IT CAN BE USED TO BUILD CUSTOM CROWN MOLDINGS. YOU CAN ALSO USE THIS DECORATIVE L BEAD TO CREATE CUSTOM LAYERING DETAILS.

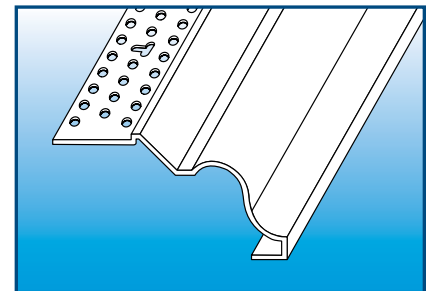
STOCK No.	LENGTH	Pcs. PER BOX
65110M	10'	10
65110	10'	25



DOUBLE 5/8" DECORATIVE L BEAD STYLE 661

• THIS DECORATIVE L BEAD IS DESIGNED TO FINISH TWO LAYERS OF 5/8" DRYWALL STACKED TOGETHER. IT CAN BE USED TO BUILD CUSTOM CROWN MOLDINGS. YOU CAN ALSO USE THIS DECORATIVE L BEAD TO CREATE CUSTOM LAYERING DETAILS.

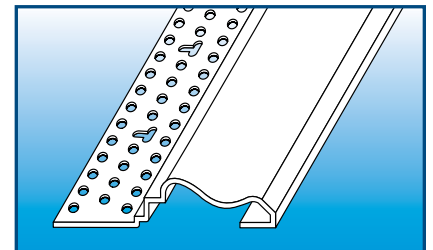
STOCK No.	LENGTH	Pcs. PER BOX
66110M	10'	10
66110	10'	25



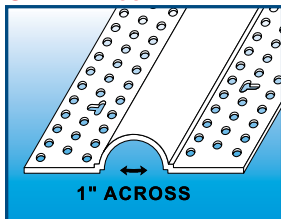
DECORATIVE CHAIR RAIL STYLE 671

• THIS DECORATIVE CHAIR RAIL IS DESIGNED TO BE MOUNTED FLAT TO THE DRYWALL SURFACE. A GREAT WAY TO ADD AN ACCENT WITHOUT BUILDING UP ADDITIONAL LAYERS OF DRYWALL. THE BEAD IS 1 1/2" WIDE AND CAN BE USED ON DRYWALL OR AS A CASEMENT AROUND WINDOWS AND DOORS.

STOCK No.	LENGTH	Pcs. PER BOX
67110M	10'	10
67110	10'	20

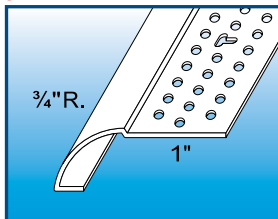


OTHER DECORATIVE L BEADS



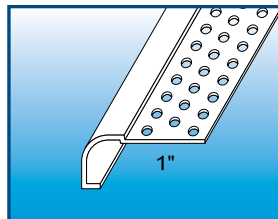
BULL-RAIL STYLE 672

STOCK No.	LENGTH	Pcs. PER Bx
67210M	10'	8
67210	10'	20



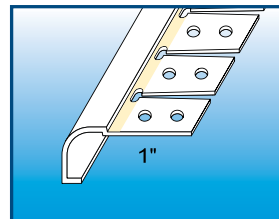
3/4" RADIUS J ROUND

STOCK No.	SIZE	LENGTH	Pcs. PER Bx
7408	1/2"	8'	30
7410M	1/2"	10'	10
7410	1/2"	10'	30
7508	5/8"	8'	30
7510M	5/8"	10'	10
7510	5/8"	10'	30



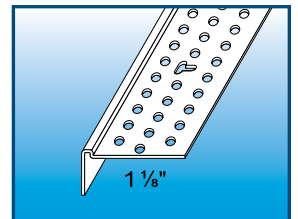
350 BULL™ L BEAD

STOCK No.	SIZE	LENGTH	Pcs. PER Bx
35048	1/2"	8'	35
35040M	1/2"	10'	10
35040	1/2"	10'	35
35050M	5/8"	10'	10
35050	5/8"	10'	35
35058	5/8"	8'	35



350 BULL ARCH L BEAD

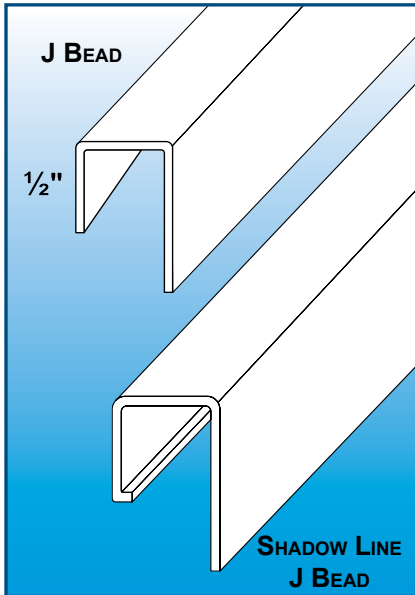
STOCK No.	SIZE	LENGTH	Pcs. PER Bx
35060	1/2"	10'	35
35070	5/8"	10'	35



L BEAD

STOCK No.	SIZE	LENGTH	Pcs. PER Bx
3206	3/8"	10'	80
3210M	1/2"	10'	20
3210	1/2"	10'	80
3210S	7/16"	10	50
3310M	5/8"	10'	20
3310	5/8"	10'	80

14 J BEADS & L BEADS



J BEAD

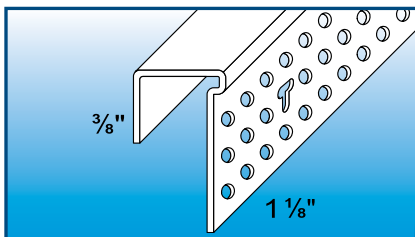
- USE J BEAD TO FINISH ROUGH DRYWALL ENDS AND UNDER ALL DOOR AND WINDOW ENCASEMENTS.
- TRIM-TEX'S FIRST PRODUCT THAT LAUNCHED RIGID VINYL INTO THE DRYWALL INDUSTRY 39 YEARS AGO.

STOCK No.	SIZE	LENGTH	Pcs. PER BOX
2008	1/4"	8'	50
2010	1/4"	10'	50
1008	3/8"	8'	50
1010	3/8"	10'	50
1108	1/2"	8'	50
1110	1/2"	10'	50
1112	1/2"	12'	50
1208	5/8"	8'	50
1210	5/8"	10'	50
1212	5/8"	12'	50
2408	3/4"	8'	50
2410	3/4"	10'	50
2510	7/8"	10'	35
2608	1"	8'	35
2610	1"	10'	35

SHADOW LINE J BEAD

- USE SHADOW LINE J BEAD TO FORM A DISTINCTIVE EDGE ALONG THE DRYWALL FOR A MODERN LOOK.

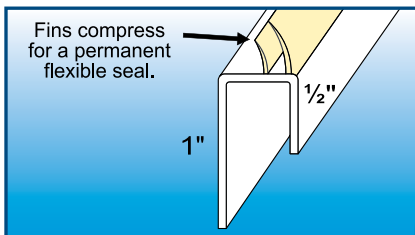
STOCK No.	SIZE	LENGTH	Pcs. PER BOX
1308	1/2"	8'	50
1310	1/2"	10'	50
1408	5/8"	8'	50
1410	5/8"	10'	50



MUD ON J BEAD

- MUD ON J BEAD IS DESIGNED FOR BUTTING DRYWALL TO OTHER SUBSTRATES SUCH AS MASONRY, GLASS, DOORS & WINDOWS.

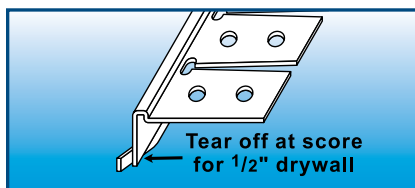
STOCK No.	SIZE	LENGTH	Pcs. PER BOX
1708	1/2"	8'	50
1710	1/2"	10'	50
1808	5/8"	8'	50
1810	5/8"	10'	50



SUPER SEAL J BEAD

- SUPER SEAL J BEAD HAS 2 FLEXIBLE FINES THAT COMPRESS TO FORM A PERMANENT FLEXIBLE SEAL AGAINST WINDOWS AND DOORS.

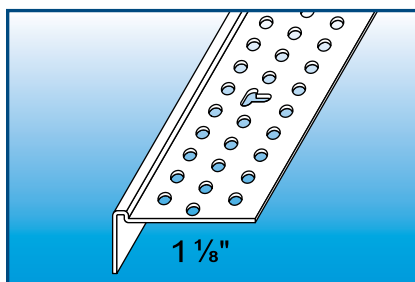
STOCK No.	SIZE	LENGTH	Pcs. PER BOX
1510	1/2"	10'	30
1610	5/8"	10'	30



ARCHWAY L BEAD

- TRIM-TEX ALWAYS STRIVES TO DESIGN PRODUCTS THAT ARE UNIQUE AND USER FRIENDLY. WE CONTINUE THIS PROUD TRADITION WITH ARCHWAY L BEAD. ESPECIALLY USEFUL FOR FINISHING COLUMNS AND FREE-FORM DRYWALL ART.

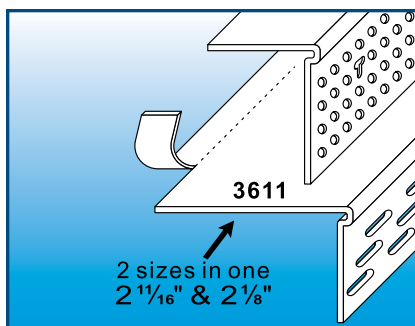
STOCK No.	SIZE	LENGTH	Pcs. PER BOX
3299	1/2" & 5/8"	10'	50



L BEAD

- TRIM-TEX, THE PIONEER OF VINYL L BEADS, OFFERS THE LARGEST ASSORTMENT OF L BEADS IN THE INDUSTRY TO FIT YOUR FINISHING NEEDS.
- 3210S SPECIAL L BEAD IS DESIGNED TO BE USED WITH 1/2" DEEP SHADOW BEAD TO CREATE A FLOATING REVEAL EXPANSION AS SHOWN ON PG.17

STOCK No.	SIZE	LENGTH	Pcs. PER BOX
3206	3/8"	10'	80
3208	1/2"	8'	80
3210M	1/2"	10'	20
3210	1/2"	10'	80
3210S	7/16"	10'	50
3308	5/8"	8'	80
3310M	5/8"	10'	20
3310	5/8"	10'	80



OVERSIZED L BEADS

- OVERSIZED L BEADS ARE DESIGNED AS A LABOR SAVING SYSTEM FOR FINISHING WINDOW RETURNS AND OTHER DETAILS. 3/4"-1 1/4" BEADS
- NOW MATCH THE LARGER L BEADS BY INCLUDING A LONGER 1 3/8" MUD LEG.

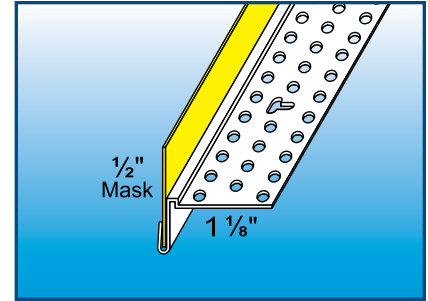
STOCK No.	SIZE	LENGTH	Pcs. PER BOX
3408	3/4"	8'	50
3410	3/4"	10'	50
3508	1"	8'	50
3510	1"	10'	50
3608	1 1/4"	8'	50
3610	1 1/4"	10'	50
3611	2 11/16" & 2 1/8"	10'	30

PULLAWAY™ L BEAD

- PATENTED PULLAWAY L BEAD SETS THE NEW STANDARD IN FINISHING DRYWALL. THE MASKING STRIP EXTENDS OUT 1/2" PROVIDING THE WIDEST AREA OF PROTECTION IN THE INDUSTRY.
- THE PULLAWAY STRIP IS A MASKING AS WELL AS A GUIDE FOR THE TAPING KNIFE. USE FOR BUTTING DRYWALL TO OTHER SUBSTRATES.

STOCK No.	SIZE	LENGTH	Pcs. PER BOX
3008	1/2"	8'	35
3010	1/2"	10'	35
3012	1/2"	12'	35
3110	5/8"	10'	35

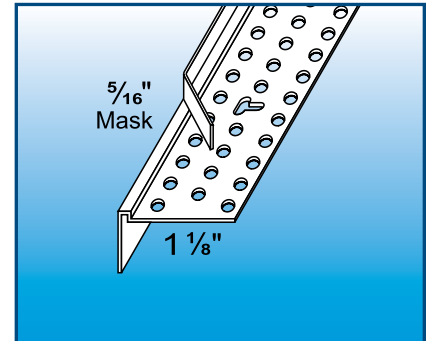
U.S. PATENT #5,243,797



TEAR AWAY™ L BEAD

- COMES WITH A FULL 5/16" TEAR-OFF LEG THAT IS ONE OF THE LARGEST IN THE INDUSTRY.
- THE TEAR-OFF LEG ACTS AS A GUIDE FOR THE TAPING KNIFE AS WELL AS A PROTECTIVE MASKING FOR MUDDING AND PAINTING.
- WHEN FINISHED, SIMPLY TEAR OFF THE LEG FOR A CLEAN, SHARP LOOK.

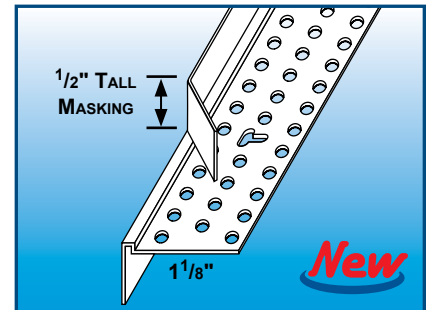
STOCK No.	SIZE	LENGTH	Pcs. PER BOX
9002	1/4"	10'	50
9004	3/8"	10'	50
9008	1/2"	8'	50
9010	1/2"	10'	50
9012	1/2"	12'	50
9108	5/8"	8'	50
9110	5/8"	10'	50



TEAR AWAY™ XT (EXTRA TALL MASKING) L BEAD

- COMES WITH A FULL 1/2" TEAR OFF LEG.
- EXTRA TALL MASKING PROVIDES ADDITIONAL PROTECTION TO YOUR SUBSTRATES FROM MUD AND PAINT
- WHEN FINISHED, SIMPLY TEAR OFF THE MASKING LEG FOR A CLEAN, SHARP LOOK.

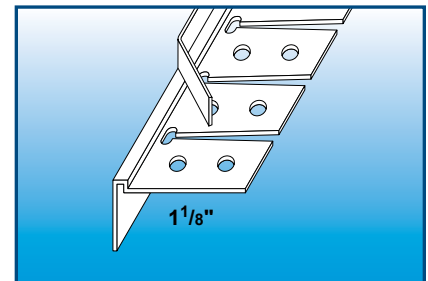
STOCK No.	SIZE	LENGTH	Pcs. PER BOX
9010XT	1/2"	10'	30
9110XT	5/8"	10'	30



ARCHWAY TEAR AWAY™ L BEAD

- THE TEAR OFF LEG ACTS AS A GUIDE FOR THE TAPING KNIFE AS WELL AS A PROTECTIVE MASKING FOR MUDDING AND PAINTING.
- PERFECT FOR LAYERING DETAILS ARCHWAY TEAR AWAY IS AVAILABLE FOR 1/2" AND 5/8" DRYWALL.

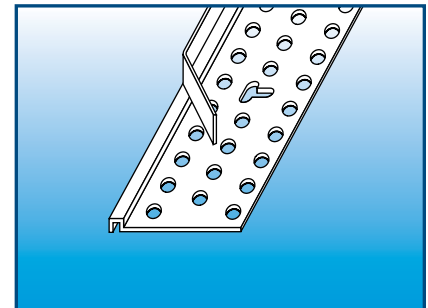
STOCK No.	SIZE	LENGTH	Pcs. PER BOX
9050	1/2"	10'	20
9150	5/8"	10'	20



FLAT TEAR AWAY™ L BEAD

- FLAT TEAR AWAY IS DESIGNED FOR AREAS WHERE THE DRYWALL HAS BEEN BUTTED TOO CLOSE TO SLIP THE RETURN LEG BEHIND THE DRYWALL.

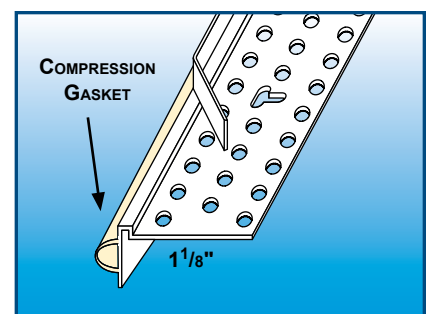
STOCK No.	SIZE	LENGTH	Pcs. PER BOX
9000	FLAT	10'	50



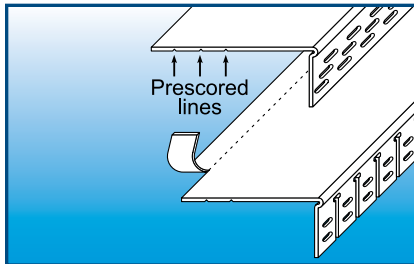
SUPER SEAL TEAR AWAY™ L BEAD

- THE SUPER SEAL TEAR AWAY 5/16" SEMI ROUND GASKET COMPRESSES UPON INSTALLATION TO FORM A PERMANENT SEAL THAT EFFECTIVELY REDUCES SOUND TRANSMISSION, REPLACES CAULK AND PROVIDES STRUCTURAL RELIEF AT THE PANEL PERIMETER.

STOCK No.	SIZE	LENGTH	Pcs. PER BOX
9210	3/8"	10'	25



16 SUPER, GIANT, REGULAR & BULLNOSE L BEADS



SUPER L BEAD

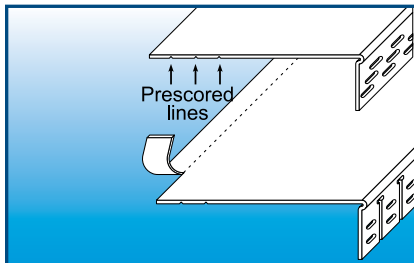
- HAS A 3 1/8" RETURN LEG, AND IS PRE-SCORED AT 2 5/8", 2 1/8" AND 1 5/8".
- FOR SIZES IN BETWEEN, USE FINISH TRIM. SEE BELOW.

STOCK No.	LENGTH	Pcs. PER BOX
3708	8'	30
3710	10'	30

SUPER ARCHWAY L BEAD

- DESIGNED WITH NOTCHES ALLOWING IT TO CONFORM TO ANY ARCH WINDOW.
- PRESCORED THE SAME AS SUPER L BEAD.

STOCK No.	LENGTH	Pcs. PER BOX
3808	8'	30
3810	10'	30



GIANT L BEAD

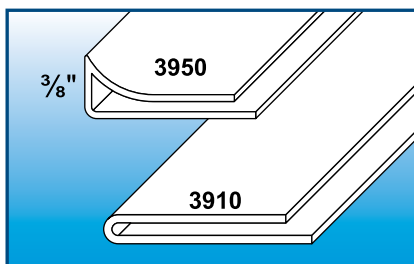
- GIANT L BEAD HAS A 5 5/8" RETURN LEG AND IS PRE-SCORED AT 4 13/16", 4 5/16" AND 3 13/16".
- FOR SIZES IN BETWEEN, USE FINISH TRIM. SEE BELOW.

STOCK No.	LENGTH	Pcs. PER BOX
3850	10'	20

GIANT ARCHWAY L BEAD

- DESIGNED WITH NOTCHES ALLOWING IT TO CONFORM TO ANY ARCH WINDOW.
- PRESCORED THE SAME AS GIANT L BEAD.

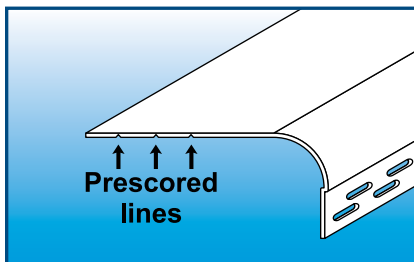
STOCK No.	LENGTH	Pcs. PER BOX
3860	10'	20



FINISH TRIMS

- BOTH SLIP OVER TRIMS ARE 1" WIDE AND DESIGNED TO BE USED IN CONJUNCTION WITH ANY TRIM-TEX L BEAD.
- CUT THE L BEAD TO THE DESIRED SIZE AND SLIP INTO THE FINISH TRIM. YOU CREATE A CUSTOM SIZE L BEAD.
- 3/8" TALL FINISH TRIM IS DESIGNED TO HELP CONCEAL FRAMING GAPS AS WIDE AS 3/8".

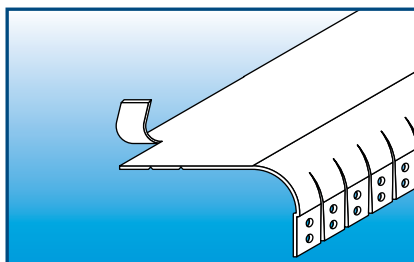
STOCK No.	LENGTH	Pcs. PER BOX
3910	10'	30
3950	10'	30



3/4" R. BULLNOSE SUPER L BEAD

- HAS A 3 1/8" RETURN LEG AND IS PRESCORED AT 2 5/8", 2 1/8" AND 1 5/8".
- FOR SIZES IN BETWEEN, USE FINISH TRIM.

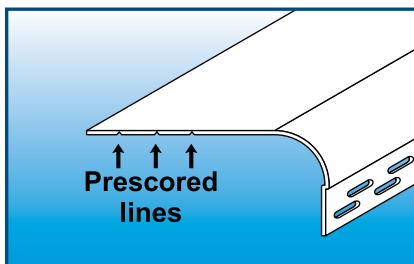
STOCK No.	LENGTH	Pcs. PER BOX
7608	8'	30
7610	10'	30



3/4" R. BULLNOSE SUPER ARCHWAY L BEAD

- DESIGNED WITH NOTCHES ALLOWING IT TO CONFORM TO ANY ARCH WINDOW.
- PRESCORED THE SAME AS BULLNOSE SUPER L BEAD.

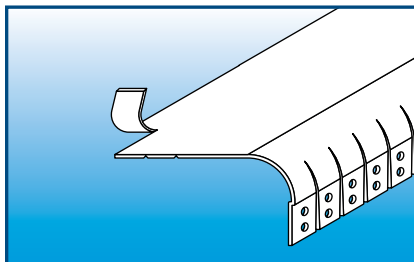
STOCK No.	LENGTH	Pcs. PER BOX
7710	10'	30



3/4" R. BULLNOSE GIANT L BEAD

- GIANT L BEAD HAS A 5 1/2" RETURN LEG AND IS PRESCORED AT 4 13/16", 4 5/16" AND 3 13/16".

STOCK No.	LENGTH	Pcs. PER BOX
7750	10'	20



3/4" R. BULLNOSE GIANT ARCHWAY L BEAD

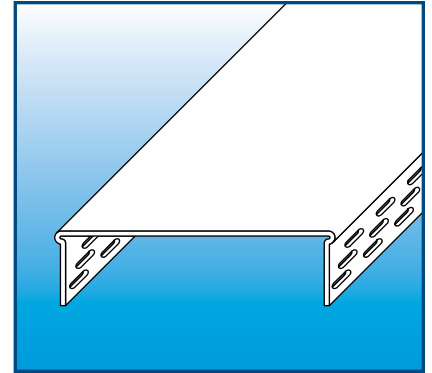
- DESIGNED WITH NOTCHES ALLOWING IT TO CONFORM TO ANY ARCH WINDOW.
- PRESCORED THE SAME AS BULLNOSE GIANT L BEAD.

STOCK No.	LENGTH	Pcs. PER BOX
7760	10'	20

FAST CAP™

- IN ONE EASY APPLICATION YOU CAN FINISH DOORWAYS, WALL ENDS, KNEEWALLS, AND CLOSETS. FAST CAP CAN BE USED WITH 2 X 4 WOOD OR 3 5/8" METAL STUDS.
- FAST CAP ELIMINATES THE NEED FOR TWO CORNER BEADS.
- 4481 IS PRECUT FOR STANDARD CLOSET ENCLOSURES, ELIMINATING WASTE.
- 4 5/8 " FAST CAP IS DESIGNED FOR WOOD STUDS ONLY.
- 4 7/8" FAST CAP CAN BE USED WITH WOOD OR METAL STUDS.

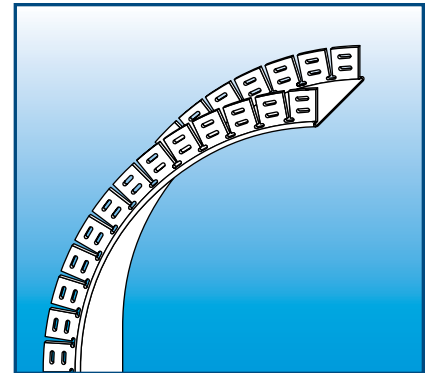
STOCK No.	SIZE	LENGTH	Pcs. PER BOX
4481	4 5/8"	81 1/4"	10
4408	4 5/8"	8'	10
4410	4 5/8"	10'	10
4508	4 7/8"	8'	10
4510	4 7/8"	10'	10



ARCHWAY FAST CAP™

- ARCHWAY FAST CAP IS THE ULTIMATE WAY TO FINISH ARCHWAYS, ELIMINATING DRYWALL, PLYWOOD OR FOAM, AND TWO CORNER BEADS.
- AVAILABLE IN A CONVENIENT 18' LENGTH TO ALLOW YOU TO FINISH AN ARCHED DOORWAY IN ONE PIECE.
- DESIGNED WITH NOTCHES TO ALLOW IT TO FLEX EASILY TO MOST FREE FORM CURVES AND ARCHES AS SMALL AS 15" MINIMUM INSIDE OR 28" MINIMUM OUTSIDE RADIUS.
- 4 5/8 " FAST CAP IS DESIGNED FOR WOOD STUDS ONLY.
- 4 7/8" FAST CAP CAN BE USED WITH WOOD OR METAL STUDS.

STOCK No.	SIZE	LENGTH	Pcs. PER BOX
4608	4 5/8"	8'	10
4610	4 5/8"	10'	10
4618	4 5/8"	18'	2
4710	4 7/8"	10'	10



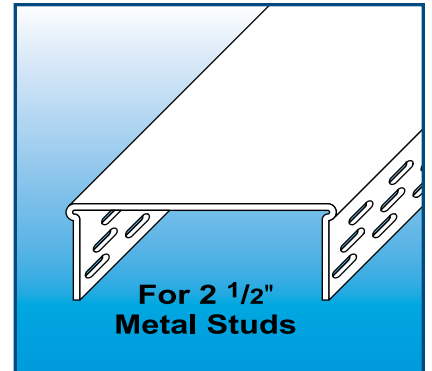
WALL FAST CAP FOR 2 1/2" METAL STUDS

- SAME GREAT FEATURES AS OUR REGULAR FAST CAP.
- DESIGNED TO BE USED WITH 2 1/2" METAL STUDS.

AVAILABLE IN TWO WIDTHS:

- 3 1/2" FAST CAP FOR 2 1/2" METAL STUD AND 2 PIECES OF 1/2" DRYWALL
- 3 3/4" FAST CAP FOR 2 1/2" METAL STUD AND 2 PIECES OF 5/8" DRYWALL

STOCK No.	SIZE	LENGTH	Pcs. PER BOX
4883	3 1/2"	10'	10
4810	3 3/4"	10'	10



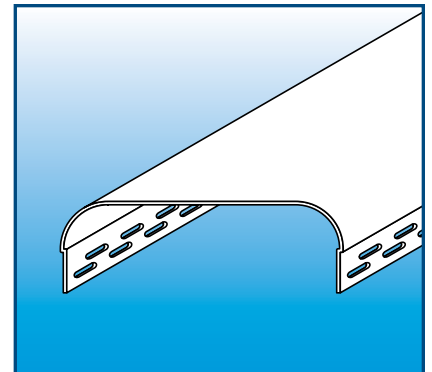
3/4" R. BULLNOSE FAST CAP™

- SAME GREAT FEATURES AS OUR STANDARD FAST CAP.

AVAILABLE IN TWO WIDTHS:

- 4 5/8" TO FIT 1 REGULAR STUD AND 2 PIECES OF 1/2" DRYWALL.
- 4 7/8" TO FIT 1 REGULAR STUD AND 2 PIECES OF 5/8" DRYWALL.

STOCK No.	SIZE	LENGTH	Pcs. PER BOX
7808	4 5/8"	8'	8
7810	4 5/8"	10'	8
7910	4 7/8"	10'	8



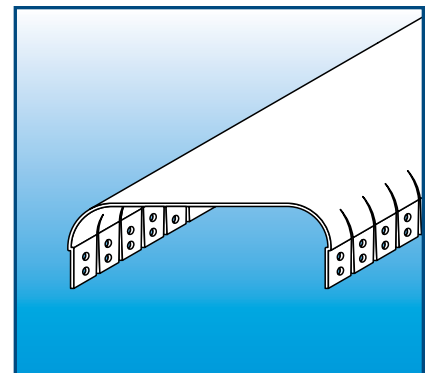
3/4" R. BULLNOSE ARCHWAY FAST CAP™

- BULLNOSE ARCHWAY FAST CAP IS THE LABOR SAVING WAY TO FINISH ARCHES, ELIMINATING DRYWALL AND CORNER BEADS.

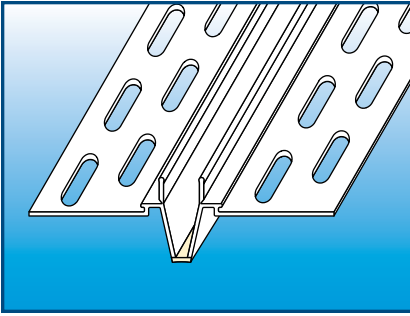
AVAILABLE IN TWO WIDTHS:

- 4 5/8" TO FIT 1 REGULAR STUD AND 2 PIECES OF 1/2" DRYWALL.
- 4 7/8" TO FIT 1 REGULAR STUD AND 2 PIECES OF 5/8" DRYWALL.

STOCK No.	SIZE	LENGTH	Pcs. PER BOX
7828	4 5/8"	8'	8
7820	4 5/8"	10'	8
7830	4 7/8"	10'	8



18 COMMERCIAL PRODUCTS

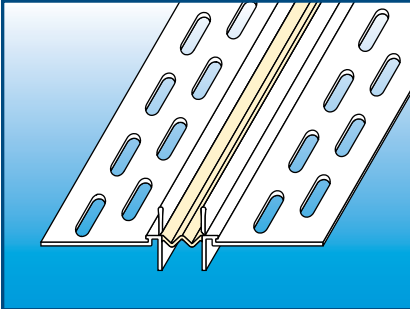


093V™ EXPANSION

- SUPERIOR EXPANSION CONTROL, TWICE THE MOVEMENT OF ZINC, CLEANER & EASIER TO USE & HALF THE PRICE.
- DEEP RIGID PVC "V" IS JOINED AT THE BOTTOM WITH A FLEXIBLE CONNECTION ALLOWING A FULL 1/4" IN CONTROLLED MOVEMENT.
- RUST PROOF, HIGH IMPACT, DENT RESISTANT RIGID VINYL ELIMINATES EXPENSIVE JOBSITE DAMAGE
- TEAR OFF STRIPS ACT AS A GUIDE FOR YOUR TAPING KNIFE AND PROTECT THE CENTER FROM MUD.

STOCK No.	LENGTH	Pcs. PER BOX
093V	10'	20

U.S. PATENT #5,477,643

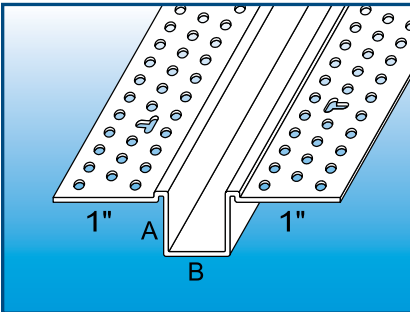


HIDEAWAY™ EXPANSION

- THIS LOW PROFILE EXPANSION JOINT ELIMINATES THE EXPOSED "V" THAT OTHER JOINTS LEAVE. THE SOFT CENTER "W" FLEXES AND BENDS AS THE STRUCTURE EXPANDS AND CONTRACTS.
- TEAR OFF STRIPS ACT AS A GUIDE FOR YOUR TAPING KNIFE AND PROTECT THE CENTER FROM MUD.

STOCK No.	LENGTH	Pcs. PER BOX
2710	10'	25

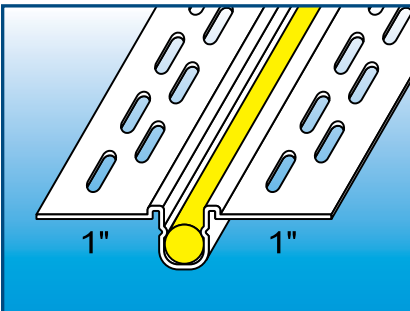
U.S. PATENT #5,477,643



REVEAL BEAD

- REVEAL BEADS ARE USED TO CREATE A 1/2", 5/8" AND 1/4" DEEP REVEAL IN THE DRYWALL AND ARE AVAILABLE IN MULTIPLE WIDTHS.
- REVEAL IS PERFECT FOR CREATING FINE LINE DETAILS AND CAN BE FLEXED TO CONFORM TO CURVING WALLS, SOFFITS AND COLUMNS.
- 1/4" x 1/4" REVEAL CAN BE USED WITH THE 1/4" DECORATIVE INSERT SHOWN BELOW.

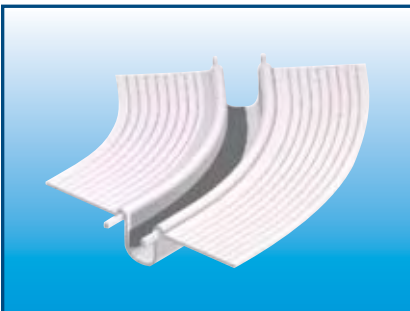
STOCK No.	AXB SIZE	LGTH	Pcs. PER BOX
5150	1/4" x 1/4"	10'	30
5108	1/2" x 1/2"	8'	20
5110	1/2" x 1/2"	10'	20
5208	1/2" x 3/4"	8'	15
5210	1/2" x 3/4"	10'	15
5308	1/2" x 1"	8'	15
5310	1/2" x 1"	10'	15
5320	5/8" x 1/2"	10'	15
5330	5/8" x 3/4"	10'	15
5340	5/8" x 1"	10'	12
5350	5/8" x 2"	10'	10



3/8" FIBER OPTIC REVEAL

- THIS REVEAL CAN BE USED WITH EITHER 1/2" OR 5/8" DRYWALL. SPECIAL RIDGES ARE DESIGNED INTO THE PRODUCT ALLOWING THE FIBER OPTIC CABLE OR DECORATIVE INSERT TO BE SNAPPED IN AND SECURELY HELD IN PLACE.

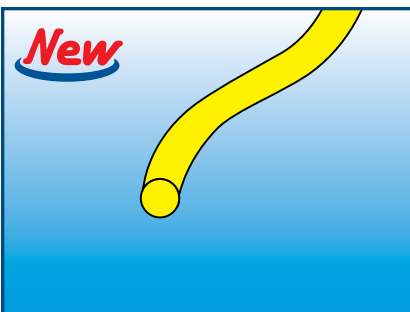
STOCK No.	LENGTH	Pcs. PER BOX
5130	10'	20



3/8" FIBER OPTIC 45° CORNER

- FIBER OPTIC CABLING MUST MAKE GRADUAL TURNS TO MAINTAIN A UNIFORM LOOK. TO ACHIEVE THIS, TRIM-TEX HAS DESIGNED THE 45° FIBER OPTIC CORNER. THIS ALLOWS THE CABLING TO MAKE A TURN ON A GRADUAL 3" RADIUS. THE PART ALSO INCLUDES SCORE MARKS ON THE BACK SIDE, THAT WHEN CUT, ALLOW YOU TO STACK THE PARTS TOGETHER TO MAKE A 90° CORNER OR A FULL U-TURN.
- CAN ALSO BE USED WITH THE 3/8" DECORATIVE INSERT SHOWN BELOW.

STOCK No.	Pcs. PER BOX
0938M	10
0938	25



DECORATIVE REVEAL INSERTS (AVAILABLE IN 6 COLORS)

- USE THE 3/8" DECORATIVE INSERT WITH OUR FIBER OPTIC REVEAL (STOCK# 5130).
- USE THE 1/4" DECORATIVE INSERT WITH OUR 1/4" x 1/4" REVEAL (STOCK# 5150).
- MORE COLORFUL THAN LIGHTS AT 1/20TH THE PRICE.

STOCK No.	SIZE	LENGTH	Pcs. PER BOX
0513-COLOR	3/8"	100' ROLL	1
0515-COLOR	1/4"	100' ROLL	1

CUSTOM COLORS AVAILABLE. CALL FOR DETAILS.



BLACK & WHITE FLEX GRID ANGLE™

- THE ULTIMATE WAY TO FINISH AN ACOUSTICAL CEILING TERMINATING AT ANY CURVED WALL OR SURFACE.
- WILL FINISH COLUMNS 5 1/2" RADIUS OR LARGER. 8158 & 8178 WILL FINISH A MINIMUM INSIDE RADIUS OF 60".
- FOR INSIDE RADII AS SMALL AS 18", USE 8159 OR 8179.
- UV STABILIZED

WHITE

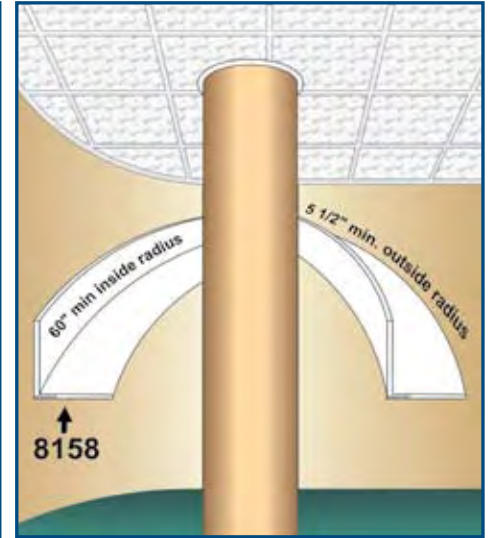
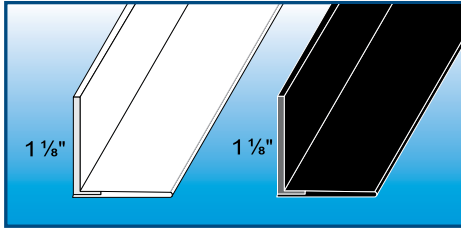
STOCK No.	SIZE	LENGTH	Pcs. PER BOX
8158M	7/8"	8'	10
8158	7/8"	8'	63
8159M	9/16"	8'	10
8159	9/16"	8'	63

U.S. PATENT #5,481,845

BLACK

STOCK No.	SIZE	LENGTH	Pcs. PER BOX
8178	7/8"	8'	63
8179	9/16"	8'	63

U.S. PATENT #5,481,845



SHADOW BEAD

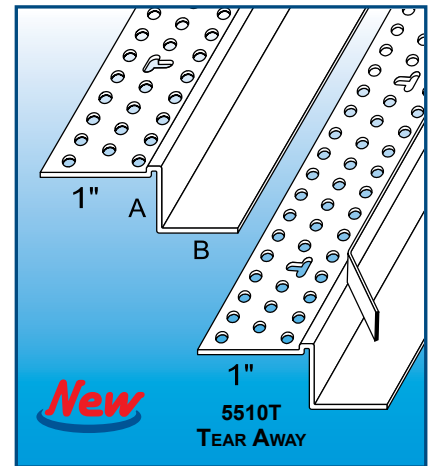
- SHADOW BEAD IS USED TO CREATE A REVEAL EFFECT WHEN BUTTING UP TO DOOR JAMBS, BASE TRIM, CEILINGS, LIGHT BOXES AND OTHER INTERIOR ARCHITECTURAL COMPONENTS.
- 1/2" DEEP SHADOW CAN BE USED WITH 7/16" L BEAD (STOCK #3210S) TO CREATE A FLOATING REVEAL. THE FLOATING REVEAL LOOKS THE SAME AS OUR REGULAR REVEAL, EXCEPT THAT IT WORKS AS THE ULTIMATE EXPANSION JOINT IN COMMERCIAL APPLICATIONS.

STOCK No.	AxB SIZE	LGTH	Pcs. PER BOX
5410	1/2" x 1/4"	10'	50
5508	1/2" x 1/2"	10'	50
5510	1/2" x 1/2"	10'	50
5610	1/2" x 3/4"	10'	50
5650	1/2" x 1"	10'	50
5710	5/8" x 1/4"	10'	50
5808	5/8" x 1/2"	10'	50
5810	5/8" x 1/2"	10'	50
5908	5/8" x 3/4"	10'	50
5910	5/8" x 3/4"	10'	50
6010	5/8" x 5/8"	10'	50

TEAR AWAY SHADOW BEAD

- OUR 1/2" X 1/2" SHADOW BEAD COMES WITH A CONVENIENT TEAR OFF MASKING STRIP.

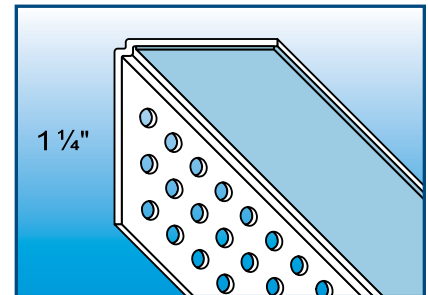
STOCK No.	AxB SIZE	LGTH	Pcs. PER BOX
5510T	1/2" x 1/2"	10'	25



MUD ON™ CEILING BEAD

- USE WHEREVER A NEW WALL IS BUTTED TO AN EXISTING DROP CEILING.
- AVAILABLE IN 7/8" OR 9/16" WITH A PEEL OFF PROTECTIVE MASKING THAT PROTECTS THE VISIBLE FLANGE FROM COMPOUND AND PAINT FOR EASY CLEAN UP.
- UV STABILIZED

STOCK No.	SIZE	LENGTH	Pcs. PER BOX
5008	7/8"	8'	80
5010M	7/8"	10'	20
5010	7/8"	10'	80
5012	7/8"	12'	80
5020M	9/16"	10'	20
5020	9/16"	10'	80



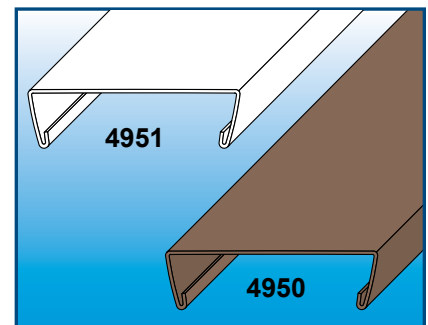
SNAP CAP™

- SNAP CAP IS STOCKED IN BRONZE AND WHITE TO APPROXIMATE EXISTING WINDOW TINTS.
- SNAP CAP IS USED TO FINISH WALL ENDS THAT TERMINATE AT A WINDOW. SNAP-ON DESIGN FOR QUICK, EASY INSTALLATION WITHOUT MUDDING.

STOCK No.	SIZE	LENGTH	Pcs. PER BOX
4963(BRONZE)	3 7/8"	10'	10
4950(BRONZE)	5"	10'	10
4951(WHITE)	5"	10'	10

SPECIALLY DESIGNED TO BE TWO SIZES IN ONE.

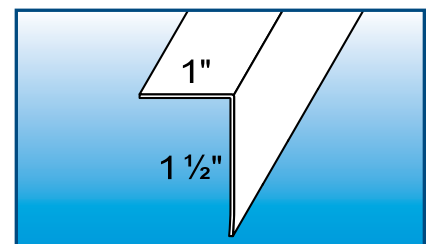
- 4963 FOR 1/2" & 5/8" DRYWALL ON A 2 1/2" STUD.
- 4950 & 4951 FOR 1/2" & 5/8" DRYWALL ON A 3 5/8" STUD.



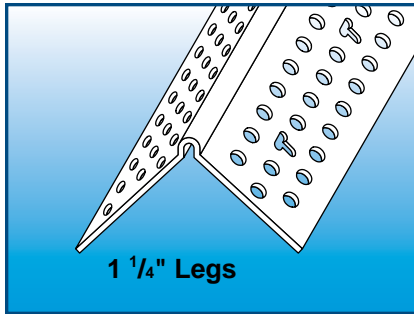
DRIVE IN BEAD

- DRIVE IN BEAD IS AN INEXPENSIVE WAY OF FINISHING OFFICE PARTITION WALLS. DRIVE IN BEAD IS AVAILABLE IN WHITE AND BRONZE.

STOCK No.	LENGTH	Pcs. PER BOX
8250 (WHITE)	8'	30
8254 (BRONZE)	10'	30



20 CORNER BEADS

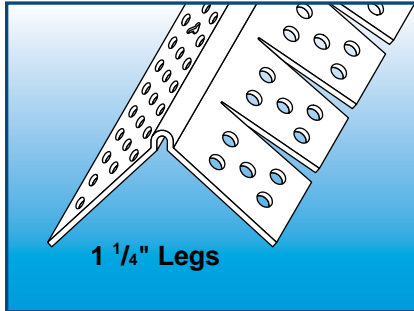


1 1/4" Legs

CORNER BEAD

- MADE OF RIGID VINYL, TRIM-TEX CORNER BEAD CREATES A RUST PROOF, DENT RESISTANT FINISHED CORNER.
- AVAILABLE IN MULTIPLE LENGTHS TO HELP REDUCE WASTE AND MINIMIZE SPLICING.
- THE INTRICATE PATTERN OF HOLES ALLOWS MUD TO PENETRATE THROUGH THE BEAD TO THE DRYWALL. THE BEAD BECOMES PART OF THE WALL.

STOCK No.	LENGTH	Pcs. PER BOX
4008	8'	50
4009	9'	50
4010	10'	50
4012	12'	50

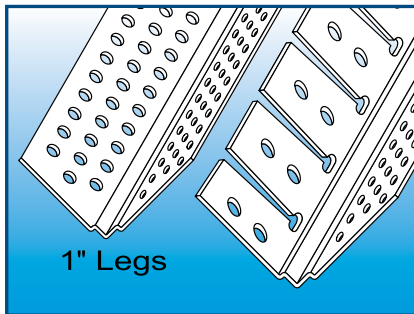


1 1/4" Legs

ARCHWAY CORNER BEAD

- ARCHWAY CORNER BEAD IS THE IDEAL BEAD FOR FINISHING ARCHWAYS AND OTHER FREE FLOWING CURVED FORMS.
- ENGINEERED ARCH TABS ALLOW YOU TO GO FROM A 10" INSIDE RADIUS TO AN 18" OUTSIDE RADIUS.
- FOR EASE OF INSTALLATION, TRIM-TEX 847 SPRAY ADHESIVE MAY BE USED TO ADHERE ARCH TABS TO DRYWALL.

STOCK No.	LENGTH	Pcs. PER BOX
4108	8'	50
4110	10'	50
4112	12'	50



1" Legs

90° INSIDE CORNER BEAD

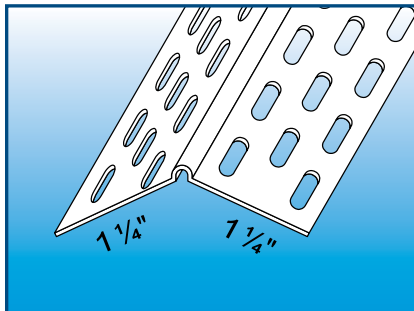
- 90° INSIDE CORNER BEAD IS DESIGNED TO GIVE YOU PERFECTLY STRAIGHT, SHARP INSIDE CORNERS EVERY TIME. USE INSIDE CORNER FOR FINISHING WALL NICHES QUICKLY AND EASILY.

STOCK No.	LENGTH	Pcs. PER BOX
4358	8'	40
4350	10'	40

90° ARCHWAY INSIDE CORNER BEAD

- THE ARCHWAY INSIDE CORNER CAN GO FROM A 36" INSIDE TO A 36" OUTSIDE RADIUS.
- GREAT FOR CURVED WALLS

STOCK No.	LENGTH	Pcs. PER BOX
4150M	10'	10
4150	10'	40

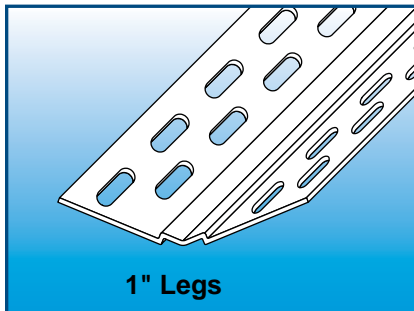


1 1/4" 1 1/4"

SPLAYED CORNER BEAD

- AN OUTSIDE CORNER THAT CAN BE FLEXED TO FIT UNUSUAL OUTSIDE CORNER ANGLES FROM 120° TO 140°.
- THE INDUSTRY'S BEST SELLER IS THE FINEST OFF-ANGLE CORNER BEAD.

STOCK No.	LENGTH	Pcs. PER BOX
4208	8'	50
4209	9'	50
4210	10'	50

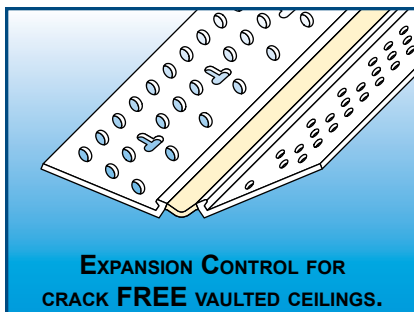


1" Legs

ADJUSTABLE INSIDE CORNER BEAD

- ADJUSTABLE INSIDE CORNER PRODUCES OVER 20 MILLION FT. PER YEAR OF THE STRAIGHTEST, SHARPEST INSIDE LINES THAT NO TAPED CORNER COULD MATCH.
- UNIQUE DESIGN ALLOWS IT TO ADJUST FROM A 70° INSIDE CORNER TO A 150° INSIDE CORNER.

STOCK No.	LENGTH	Pcs. PER BOX
4308	8'	70
4309	9'	70
4310M	10'	20
4310	10'	70



EXPANSION CONTROL FOR CRACK FREE VAULTED CEILINGS.

MAGIC CORNER EXPANSION BEAD

- TRIM-TEX MAGIC CORNER'S EXCLUSIVE EXPANSION CONTROL WITH BUILT IN MUD-LOCK ELIMINATES EDGE CRACKING ON ALL OFF-ANGLE WALLS AND VAULTED CEILINGS.
- USE ON ANY INSIDE CORNER WHERE MOVEMENT IS AN ISSUE TO PREVENT CRACKS.
- ALSO AVAILABLE IN A CONVENIENT KIT COMPLETE WITH 100' OF MAGIC CORNER, 1 CAN OF 847 SPRAY & INSTALLATION TOOL.

STOCK No.	LENGTH	Pcs. PER BOX
4368	8'	50
4369	9'	50
4366	10'	50
4325	250'	1
4325K	100', 1 CAN 847 SPRAY	1

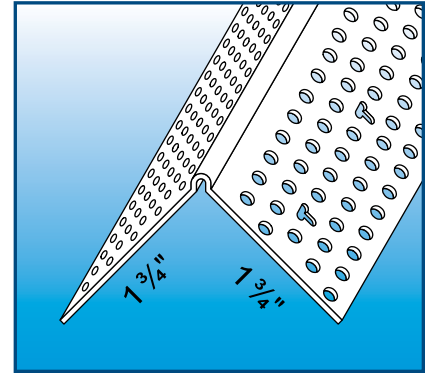
U.S. PATENT #5,313,755



JUMBO CORNER BEAD

- JUMBO CORNER BEAD COMES WITH EXTRA WIDE MUD LEGS; A FULL 1 3/4". LARGE ENOUGH FOR FINISHING TWO LAYERS OF 5/8" DRYWALL.
- JUMBO CORNER BEAD APPLIED WITH TRIM-TEX 847 SPRAY ADHESIVE AND STAPLED WILL HELP PREVENT CRACKING ON LOFTS, BALCONIES AND ALL BRIDGING.
- PERFECT FOR FOR HIGHER TRAFFIC AREAS

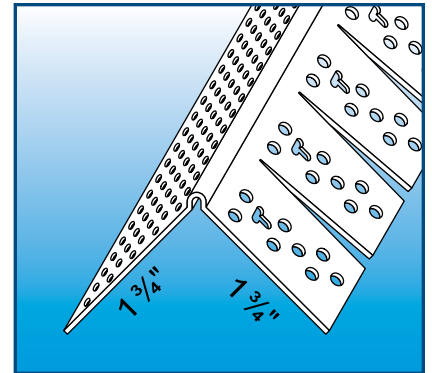
STOCK No.	LENGTH	Pcs. PER BOX
J008	8'	40
J009	9'	40
J010	10'	40



JUMBO ARCHWAY CORNER BEAD

- JUMBO ARCHWAY CORNER BEAD COMES WITH ALL THE GREAT FEATURES OF JUMBO CORNER BEAD.
- GREAT FOR FINISHING ARCHES AND OTHER CURVED FORMS.

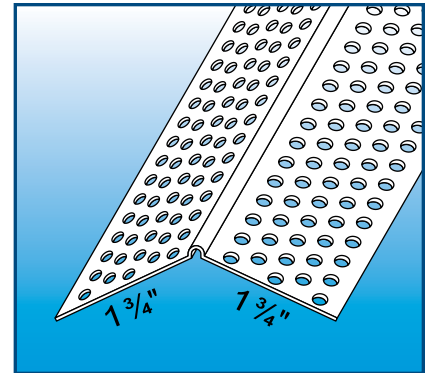
STOCK No.	LENGTH	Pcs. PER BOX
JA10	10'	40



JUMBO SPLAYED CORNER BEAD

- THE BEAD IS FORMED FOR A TRUE 135° SPLAYED OUTSIDE CORNER, BUT CAN BE ADJUSTED IN THE FIELD WITHOUT ANY TOOLS TO FIT MOST SPLAYED OUTSIDE ANGLES.
- THE MUD FLANGES ARE A FULL 1 3/4" WIDE.

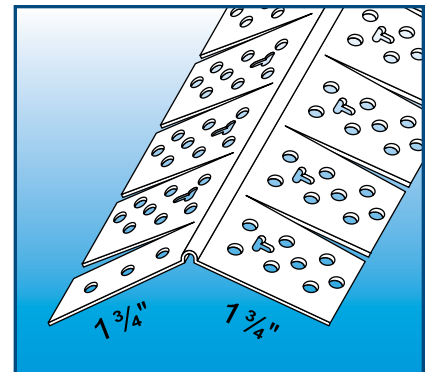
STOCK No.	LENGTH	Pcs. PER BOX
JS10	10'	40



JUMBO DOUBLE ARCHWAY SPLAYED CORNER BEAD

- THIS BEAD IS DESIGNED TO FINISH IRREGULAR SPLAYED ARCH CORNERS. COMMON APPLICATIONS INCLUDE EYEBROW WINDOWS OR BARREL VAULTS INTERSECTING A CATHEDRAL CEILING, AND GROIN VAULTED CEILING DETAILS WITH A MULTITUDE OF INTERSECTING ARCHES.
- THE MUD FLANGES ARE A FULL 1 3/4" WIDE.

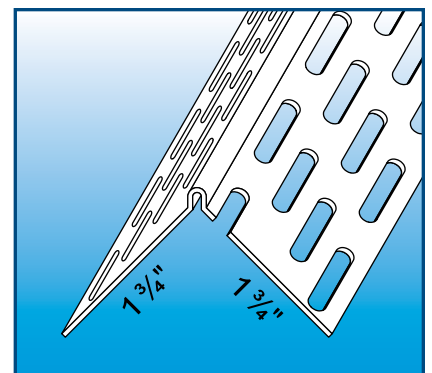
STOCK No.	LENGTH	Pcs. PER BOX
JSA10M	10'	20
JSA10	10'	40



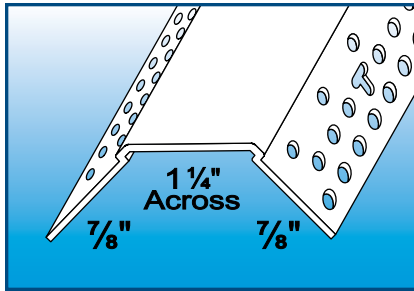
SKIM COAT PLASTER CORNER BEAD

- SKIM COAT CORNER BEAD IS DESIGNED TO BE USED WITH SKIM COAT VENEERS AND EIFS. IT IS SPECIALLY FORMULATED WITH EXTRA IMPACT MODIFIERS AND UV STABILIZERS FOR EXTERIOR AND INTERIOR USE.
- TALL 0.1" MUD BUMP FOR SKIM COAT OR FOR L-5 FINISHING REQUIREMENTS.

STOCK No.	LENGTH	Pcs. PER BOX
S010	10'	40



22 CHAMFER BEADS

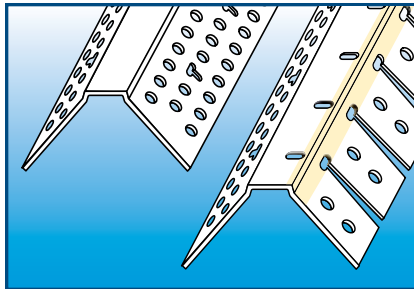


CHAMFER BEAD™

- THE CHAMFERED EDGE SOFTENS THE ROOM WHILE MAINTAINING THE CRISP LOOK OF A SQUARE CORNER.
- THE RIGID VINYL CORNER IS ALSO SAFER THAN A SHARP SQUARE METAL CORNER.



STOCK No.	LENGTH	Pcs. PER BOX
9508	8'	30
9509	9'	30
9510	10'	30



350 CHAMFER BEAD™

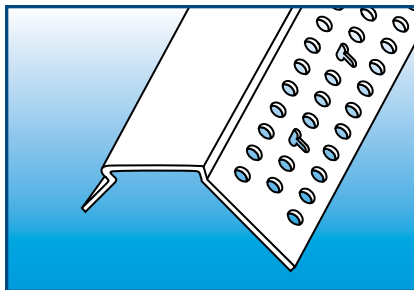
- THE SAME GREAT LOOK OF OUR STANDARD CHAMFER BEAD IN A NARROWER, MORE SUBTLE 3/4" WIDE PROFILE.

STOCK No.	LENGTH	Pcs. PER BOX
9608	8'	30
9609	9'	30
9610	10'	30

350 CHAMFER ARCH™

- THE 350 CHAMFER ARCH IS DESIGNED TO PERFECTLY MATCH OUR NEW 350 CHAMFER BEAD.
- THE TRIM-TEX EXCLUSIVE PATENTED DESIGN DOES NOT REQUIRE FILLING NOTCHES ON THE EXPOSED AREA OF THE BEAD, MAKING THE 350 CHAMFER ARCH QUICK AND EASY TO FINISH.

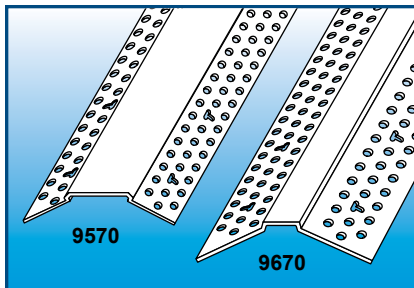
STOCK No.	LENGTH	Pcs. PER BOX
9650	10'	30



CHAMFER KERFED

- AVAILABLE FOR 1/2" OR 5/8" DRYWALL.
- THE CHAMFER KERFED CAN BE USED TO FINISH WINDOWS AND DOORS WITH KERFED CHANNELS.
- COMPLEMENTS EITHER CHAMFER BEAD OR 350 CHAMFER BEAD.

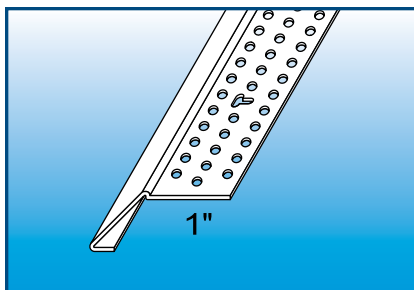
STOCK No.	SIZE	LENGTH	Pcs. PER BOX
9589	1/2"	9'	30
9580	1/2"	10'	30
9599	5/8"	9'	30
9590	5/8"	10'	30



CHAMFER SPLAYED™ & 350 CHAMFER SPLAYED™

- OUR CHAMFER BEAD AND 350 CHAMFER BEAD ARE NOW AVAILABLE IN A SPLAYED VERSION TO FIT STANDARD 135° OUTSIDE CORNERS.

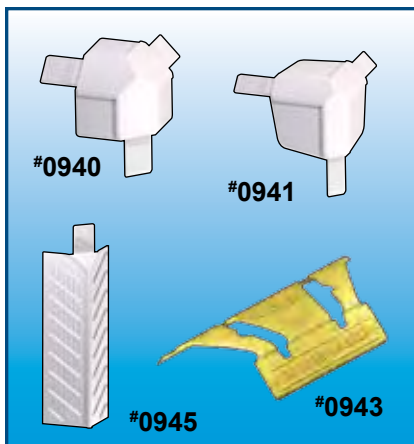
STOCK No.	LENGTH	Pcs. PER BOX
9570	10'	20
9670	10'	20



CHAMFER STOP™

- CHAMFER STOP IS DESIGNED TO BE INSTALLED AFTER THE DRYWALL. THERE IS NO NEED TO WRAP THE BEAD BEHIND THE DRYWALL.
- USE CHAMFER STOP FOR CREATING BEAUTIFUL MULTILAYER DRYWALL EFFECTS. INSTEAD OF WOOD MOLDINGS, CHAMFER STOP IS PERFECT FOR FINISHING WINDOWS AND DOORS.

STOCK No.	SIZE	LENGTH	Pcs. PER BOX
9530M	1/2"	10'	10
9530	1/2"	10'	30
9520M	5/8"	10'	10
9520	5/8"	10'	30



0940 & 0941 - CHAMFER 3 WAY™

0945 - CHAMFER ADAPTER

0943 - CHAMFER MARKER™

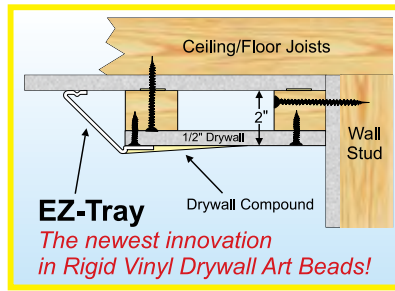
- THE CHAMFER 3 WAY IS DESIGNED TO FINISH AN OUTSIDE CORNER WHERE 3 CHAMFER BEADS MEET AT 90°. 0940 IS DESIGNED FOR OUR STANDARD CHAMFER BEAD AND 0941 IS FOR OUR 350 CHAMFER BEAD.
- THE CHAMFER ADAPTER IS DESIGNED TO BE TWO PRODUCTS IN ONE. IT IS READY TO USE TO CREATE A TRANSITION FROM OUR STANDARD CHAMFER BEAD TO A SQUARE OUTSIDE CORNER TO SIMPLIFY BASEBOARD INSTALLATION. IT CAN ALSO BE EASILY CUT ALONG A MARKED SCORE LINE TO FIT OUR SMALLER 350 CHAMFER BEAD.
- CHAMFER MARKER ALLOWS YOU TO COPE 90° AND 135° INSIDE OFF ANGLES QUICKLY AND EASILY.

STOCK No.	Pcs. PER BOX
0940M	10
0940	50
0941M	10
0941	50
0943M	10
0943	40
0945M	10
0945	50

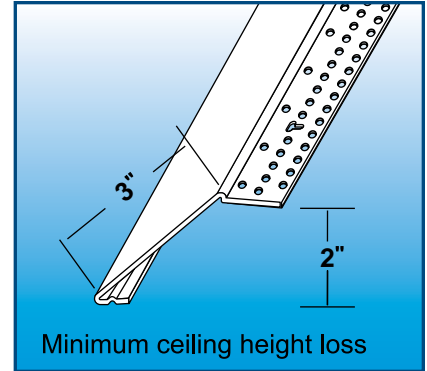
U.S. PATENT # D 431,304

EZ-TRAY

- EZ-TRAY WAS DESIGNED TO ADD A TRAY CEILING LOOK TO ANY NEW CONSTRUCTION OR REMODELING PROJECT.
- SIMPLE 2 X 2 FRAMING AND 1/2" DRYWALL MINIMIZE CEILING HEIGHT LOSS WHILE DRAMATICALLY ENHANCING THE LOOK OF ANY ROOM.
- MATCH AN EZ-TRAY DETAIL WITH ANY OF OUR CROWN MOLDINGS (PG. 10) FOR THAT ULTIMATE UPGRADE.



STOCK No.	LENGTH	Pcs. PER BOX
EZ-10	10'	10



EZ-TRAY Kit

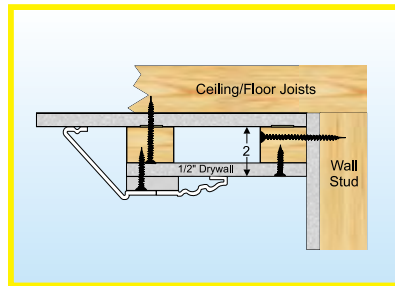
- COMPLETE TRAY CEILING IN A BOX
- THE EZ-TRAY KIT EASES THE INSTALLATION FOR A DECORATIVE TRAY CEILING IN ANY ROOM.
- THE EZ-TRAY KIT CAN FINISH ROOMS UP TO 16' BY 16'
- EACH KIT INCLUDES:
 - (4) 9' PIECES OF STANDARD EZ-TRAY
 - (4) 24" PRE-MITERED CORNERS
 - (2) TUBES OF #710 ADHESIVE CAULK
 - (1) EASY TO FOLLOW INSTRUCTIONS.

STOCK No.	Pcs. PER BOX
EZKIT	1 KIT

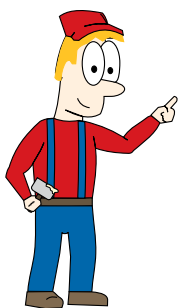
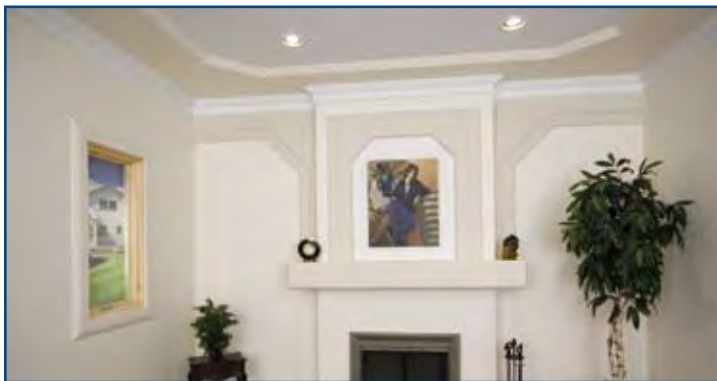
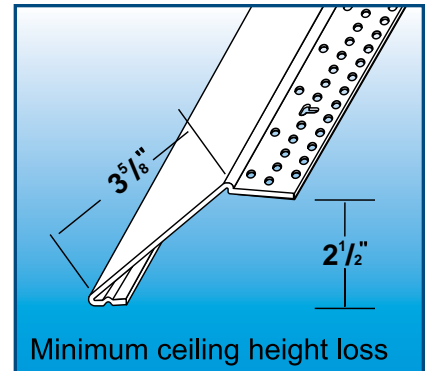


EZ-TRAY 2.5

- THE EZ TRAY 2.5 IS A 1/2" TALLER THAN OUR STANDARD EZ TRAY. IT IS DESIGNED TO BE INSTALLED WITH 2 X 2 FRAMING AND 2 LAYERS OF 1/2" DRYWALL.
- THIS TALLER PRODUCT ALLOWS YOU TO INSTALL A SECOND NARROWER LAYER OF DRYWALL AND FINISH THE OPPOSITE EDGE WITH ANY OF OUR DECORATIVE LAYERING BEADS AS SHOWN ON PAGE 11.
- EZ-TRAY 2.5 IS PERFECT FOR CREATING INEXPENSIVE BUT EXTREMELY ELEGANT COFFERED CEILINGS.



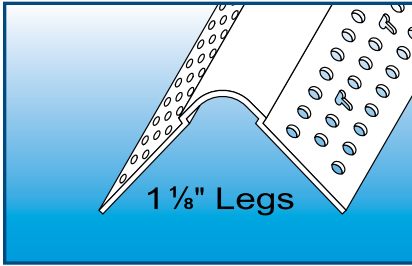
STOCK No.	LENGTH	Pcs. PER BOX
EZ2.5-10	10'	10



FIND OUT MORE AT WWW.EZTRAYSYSTEM.COM



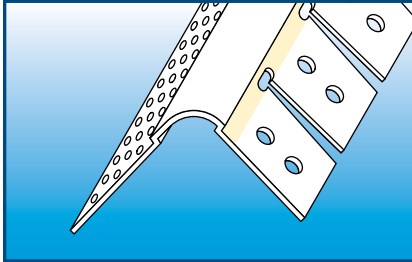
24 350 BULL WORLD'S STRONGEST BEAD



350 BULL™ CORNER BEAD

- SMALLER RADIUS & EXTRA LONG LEGS ALLOW 350 BULL TO ABSORB EXTREME IMPACT
- HALF THE RADIUS OF 3/4" BULLNOSE
- GREAT FOR ACCENTING LARGE AND SMALL DETAILS
- DOES NOT REQUIRE A SETBACK OF DRYWALL
- EASY TO USE

STOCK No.	LENGTH	Pcs. PER BOX
35008	8'	35
35009	9'	35
35010	10'	35
35012	12'	35

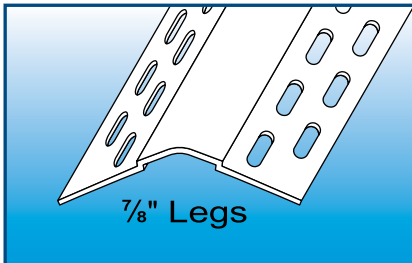


350 BULL ARCH™

- THE ONLY EXCLUSIVE ARCHWAY BULLNOSE IN THE WORLD THAT DOESN'T REQUIRE FILLING OF NOTCHES ON THE EXPOSED BEAD AREA
- DETAILS AS SMALL AS 15" INSIDE AND 24" OUTSIDE
- ELIMINATES ONE COAT OF MUD

STOCK No.	LENGTH	Pcs. PER BOX
35028	8'	25
35020	10'	25

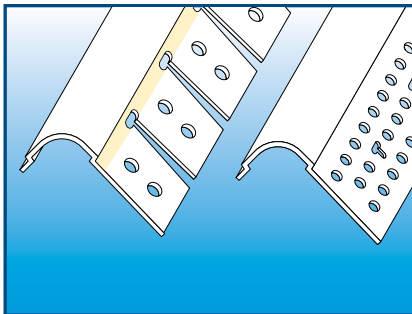
U.S. PATENT #6,119,420



350 BULL™ SPLAYED CORNER BEAD

- GREAT FOR OFF ANGLE WALLS
- USE WITH 0921 OFF ANGLE 3-WAY

STOCK No.	LENGTH	Pcs. PER BOX
35038	8'	35
35030	10'	35



350 BULL™ TRADITIONAL STYLE KERFED BEAD

- 3/8" LEG CAN BE INSERTED INTO THE CHANNEL OF MANY PREFORMED DOOR AND WINDOW JAMBS
- ROUNDED FINISH

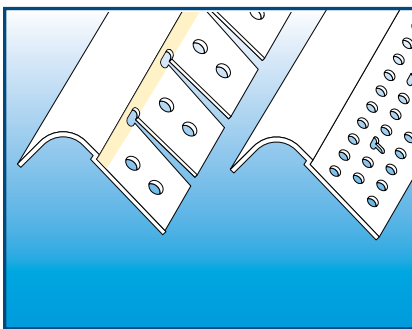
STOCK No.	LENGTH	Pcs. PER BOX
35088T	8'	35
35080T	10'	35

350 BULL TRADITIONAL STYLE ARCHED KERFED BEAD

- 3/8" LEG CAN BE INSERTED INTO MANY PREFORMED DOOR AND WINDOW JAMBS
- DOESN'T REQUIRE FILLING NOTCHES ON EXPOSED BEAD AREA
- FINISH FROM A 15" INSIDE TO A 36" OUTSIDE RADIUS

STOCK No.	LENGTH	Pcs. PER BOX
35180T	10'	25

U.S. PATENT #6,119,420



350 BULL™ ARCHED KERFED BEAD

- LEG CAN BE INSERTED INTO MANY PREFORMED DOOR AND WINDOW JAMBS
- DOESN'T REQUIRE FILLING NOTCHES ON EXPOSED BEAD AREA
- FINISH FROM A 15" INSIDE TO A 36" OUTSIDE RADIUS

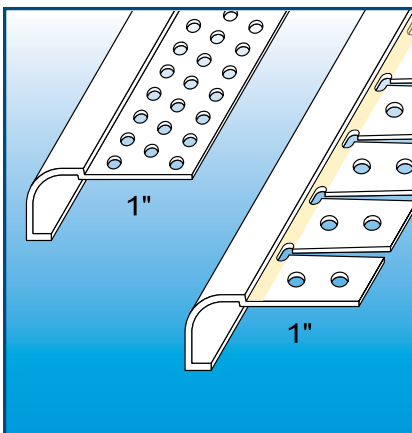
STOCK No.	LENGTH	Pcs. PER BOX
35180	10'	25

U.S. PATENT #6,119,420

350 BULL™ KERFED BEAD

- LEG CAN BE INSERTED INTO THE CHANNEL OF MANY PREFORMED DOOR AND WINDOW JAMBS
- ROUNDED FINISH

STOCK No.	LENGTH	Pcs. PER BOX
35088	8'	35
35080	10'	35



350 BULL™ L BEAD

- 350 BULL L BEAD WORKS JUST LIKE TRIM-TEX J ROUND OR CHAMFER STOP.
- PERFECT FOR DECORATIVE LAYERS OR FOR A CLEAN FINISHED LOOK AROUND WINDOWS AND DOORS.
- SAVE THE COST OF WOOD MOLDINGS.

STOCK No.	SIZE	LGTH	Pcs. PER Bx
35048	1/2"	8'	35
35040M	1/2"	10'	10
35040	1/2"	10'	35
35058	5/8"	8'	35
35050M	5/8"	10'	10
35050	5/8"	10'	35

350 BULL ARCH L BEAD

- LIKE 350 BULL ARCH, 350 BULL ARCH L BEAD IS ALSO DESIGNED TO BE NOTCH FREE AND HASSLE FREE. IT CAN BE USED FOR CREATING BEAUTIFUL CURVED LAYERS. 350 BULL ARCH L BEAD CAN ALSO BE USED FOR FINISHING ARCHED DOORS AND WINDOWS. 350 BULL ARCH L BEAD CAN GO FROM A 36" INSIDE TO A 36" OUTSIDE RADIUS.

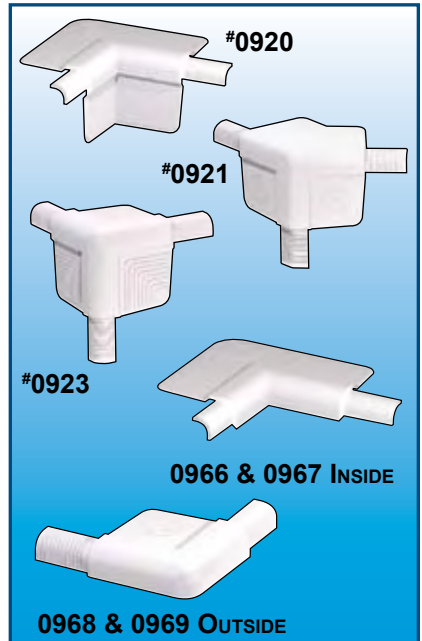
STOCK No.	SIZE	LENGTH	Pcs. PER Bx
35060	1/2"	10'	35
35070	5/8"	10'	35

0920 - 350 BULL™ 2 WAY
0921 - 350 BULL™ 3 WAY OFF ANGLE
0923 - 350 BULL™ 3 WAY

- 0920 IS DESIGNED TO FINISH TWO 350 BULL OUTSIDE CORNERS, ADJOINING AT A 90° ANGLE°
- 0921 IS DESIGNED TO FINISH TWO 350 BULL OUTSIDE CORNERS AND ONE 350 BULL SPLAYED CORNER BEAD, ADJOINING AT AN OUTSIDE OFF ANGLE CORNER
- 0923 IS DESIGNED TO FINISH THREE 350 BULL OUTSIDE CORNERS THAT ADJOIN TO A 90° OUTSIDE ANGLE

STOCK No.	Pcs. PER BOX
0920M	10
0920	50
0921M	10
0921	50
0923M	10
0923	50

U.S. PATENT #34,547



350 BULL L BEAD INSIDE & OUTSIDE CORNERS

- DESIGNED TO MATCH TRIM-TEX'S 350 BULL L BEADS
- BOTH INSIDE AND OUTSIDE CORNERS
- AVAILABLE FOR 1/2" AND 5/8" DRYWALL

STOCK No.	SIZE	Pcs. PER BOX
0966M	1/2"	10
0966	1/2"	50
0967M	5/8"	10
0967	5/8"	50
0968M	1/2"	10
0968	1/2"	50
0969M	5/8"	10
0969	5/8"	50

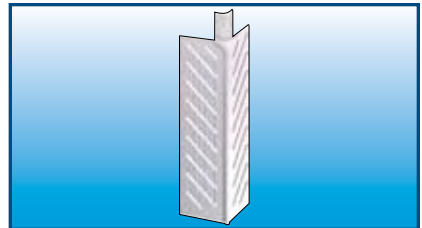
U.S. PATENT #RE.34,547

350 BULL ADAPTER

- JOINS TO A 350 BULL BEAD AND TRANSITIONS TO A STANDARD SQUARE OUTSIDE CORNER
- SIMPLIFIES THE INSTALLATION OF THE BASEBOARD
- DESIGNED WITH A MINIMAL MUD BUMP WHICH USES LESS COMPOUND AND PREVENTS EXCESSIVE OUTWARD SPLAYING OF THE BASEBOARD

STOCK No.	Pcs. PER BOX
0926M	10
0926	50

U.S. PATENT #6,630,503

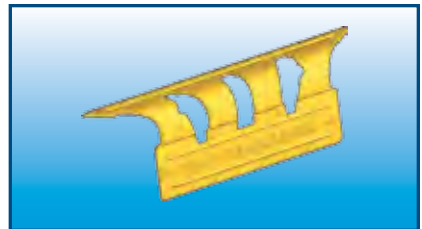


350 MITER MARKER™

- CREATES PERFECT INSIDE CORNERS
- ELIMINATES GUESSWORK WHEN FINISHING DOOR AND WINDOW OPENINGS
- MITER MARKING FOR 90° AND 135° OFF ANGLE CORNERS

STOCK No.	Pcs. PER BOX
0922M	10
0922	40

U.S. PATENT #D 412,673

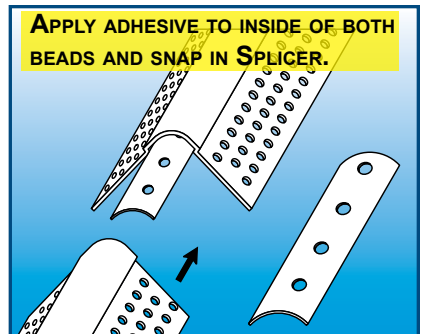


350 BULL™ SPLICER

- JOINS 2 SECTIONS OF 350 BULL CORNER BEAD
- UNIQUE SPRING ACTION ALLOWS SPLICER TO BE SNAPPED INTO BEAD FOR PERFECT ALIGNMENT
- USE WITH TRIM-TEX #710 ADHESIVE CAULK TO ELIMINATE CRACKING

STOCK No.	Pcs. PER BOX
0924M	10
0924	40

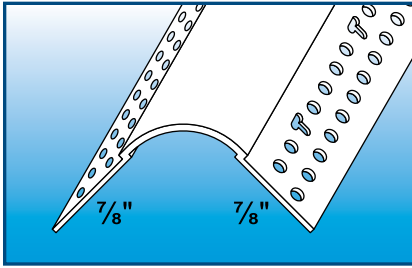
U.S. PATENT #5,813,179



FIND OUT MORE AT WWW.350BULL.COM



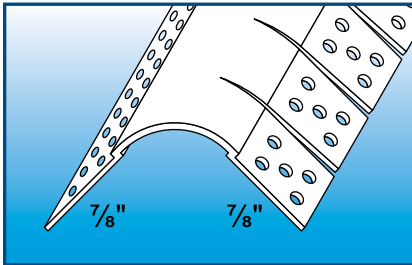
26 $\frac{3}{4}$ " BULLNOSE BEADS



$\frac{3}{4}$ " R. BULLNOSE CORNER BEAD

- SOFTENS CORNERS & ADDS A CONTEMPORARY LOOK
- TRIM-TEX OFFERS THE MOST COMPLETE LINE OF $\frac{3}{4}$ " BULLNOSE PRODUCTS IN THE INDUSTRY.

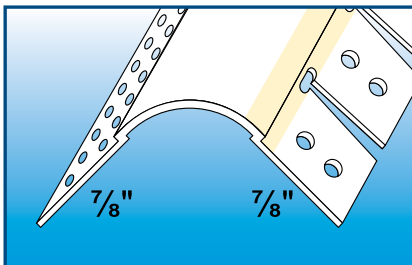
STOCK No.	LENGTH	Pcs. PER BOX
7008	8'	35
7009	9'	35
7010	10'	35
7012	12'	35



$\frac{3}{4}$ " R. BULLNOSE ARCHWAY BEAD

- NOTCHED TO CONFORM TO ARCHWAYS AND CURVES
- GOES FROM A 15" INSIDE TO A 20" OUTSIDE RADIUS

STOCK No.	LENGTH	Pcs. PER BOX
7108	8'	35
7110	10'	35

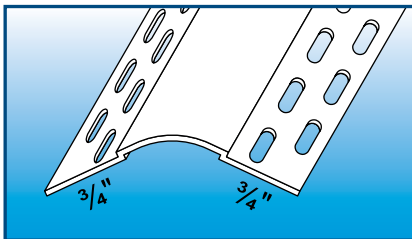


$\frac{3}{4}$ " R. BULLNOSE NO NOTCH SPRUNG ARCH

- THE NO NOTCH SPRUNG ARCH IS DESIGNED TO FINISH SPRUNG ARCHES AND IS RECOMMENDED FOR DOORS 5' AND WIDER.
- THIS PATENTED PRODUCT ELIMINATES FILLING NOTCHES ON THE EXPOSED SURFACE OF THE BULLNOSE.
- PERFECTLY MATCHES THE ENTIRE $\frac{3}{4}$ " R. BULLNOSE PRODUCT LINE.

STOCK No.	LENGTH	Pcs. PER BOX
7120	10'	35

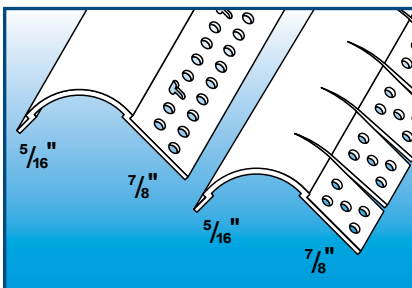
U.S. PATENT #6,119,420



$\frac{3}{4}$ " R. BULLNOSE SPLAYED CORNER BEAD

- DESIGNED TO FIT OFF ANGLE OUTSIDE CORNERS COMMONLY CALLED 45° OR 135° CORNERS.

STOCK No.	LENGTH	Pcs. PER BOX
7308	8'	35
7309	9'	35
7310	10'	35



$\frac{3}{4}$ " R. BULLNOSE TRADITIONAL STYLE KERFED BEAD

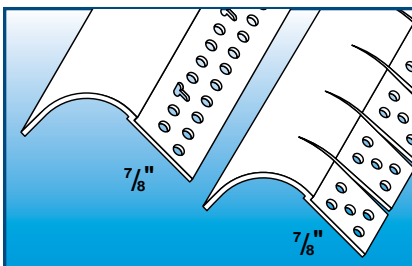
- $\frac{5}{16}$ " LEG CAN BE INSERTED INTO THE CHANNEL OF MANY PREFORMED DOOR AND WINDOW JAMBS
- CREATES ATTRACTIVE ROUNDED ENCASMENT

STOCK No.	LENGTH	Pcs. PER BOX
7088T	8'	35
7080T	10'	35

$\frac{3}{4}$ " R. BULLNOSE TRADITIONAL STYLE KERFED ARCHWAY BEAD

- SAME FEATURES AS THE BULLNOSE KERFED BEAD
- SLOTTED TO CONFORM TO MOST ARCHED OPENINGS
- FROM A 15" INSIDE TO A 20" OUTSIDE RADIUS

STOCK No.	LENGTH	Pcs. PER BOX
7188T	8'	35
7180T	10'	35



$\frac{3}{4}$ " R. BULLNOSE KERFED BEAD

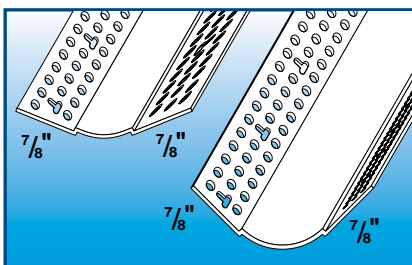
- LEG CAN BE INSERTED INTO THE CHANNEL OF MANY PREFORMED DOOR AND WINDOW JAMBS
- CREATES ATTRACTIVE ROUNDED ENCASMENT

STOCK No.	LENGTH	Pcs. PER BOX
7088	8'	35
7080	10'	35

$\frac{3}{4}$ " R. BULLNOSE KERFED ARCHWAY BEAD

- SAME FEATURES AS THE BULLNOSE KERFED BEAD
- SLOTTED TO CONFORM TO MOST ARCHED OPENINGS
- FROM A 15" INSIDE TO A 20" OUTSIDE RADIUS

STOCK No.	LENGTH	Pcs. PER BOX
7188	8'	35
7180	10'	35



INSIDE SPLAYED $\frac{3}{4}$ " R. BULLNOSE CORNER BEAD

- DESIGNED TO FINISH INSIDE OFF ANGLE CORNERS

STOCK No.	LENGTH	Pcs. PER BOX
7250	10'	35

$\frac{3}{4}$ " R. BULLNOSE INSIDE CORNER BEAD

- DESIGNED TO FINISH INSIDE 90° CORNERS.

STOCK No.	LENGTH	Pcs. PER BOX
7208	8'	35
7210	10'	35

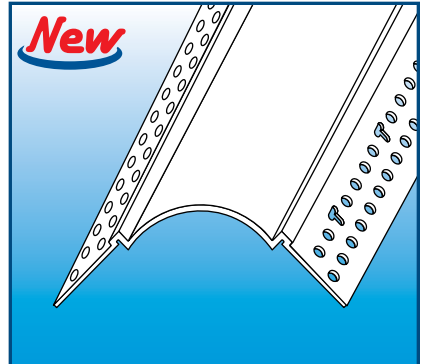
3/4" R. STEP A BULL

- THE 3/4" R. STEP A BULL FEATURES A 3/4" RADIUS AND 3/16" DEEP STEPS ON EITHER SIDE OF THE BULLNOSE TO CREATE A SHARP ATTRACTIVE CORNER DETAIL.
- PERFECT FOR ANY OUTSIDE CORNER, BUT IS ESPECIALLY BEAUTIFUL WHEN CREATING DECORATIVE COLUMNS, SOFFITS AND NICHES.
- VISIT OUR WEBSITE OR REFER TO INSTRUCTION SHEETS FOR HOW TO CREATE 3/4" ARCHED DETAILS WITH STEP A BULL.
- DESIGNED TO COMPLEMENT OUR 3/4" BULLNOSE PRODUCT LINE.

STOCK No.	LENGTH	Pcs. PER BOX
7048	8'	15
7040	10'	15

SEE FINISHED PHOTO ON PAGE 27

BULL ADAPTERS WILL BE AVAILABLE SOON!



3/4" RADIUS J ROUND

- AVAILABLE IN THE TWO MOST POPULAR SIZES, J ROUND IS DESIGNED TO BE INSTALLED AFTER THE DRYWALL. THERE IS NO NEED TO WRAP THE BEAD BEHIND THE DRYWALL. IT'S GREAT FOR FINISHING WINDOW AND DOOR OPENINGS AND FOR FINISHING DRYWALL BUILDOUTS.

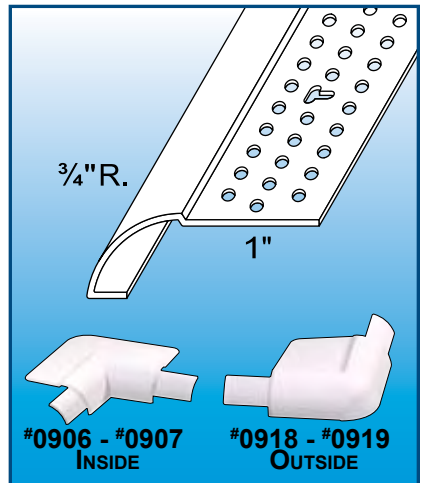
STOCK No.	SIZE	LGTH	Pcs. PER BOX
7408	1/2"	8'	30
7410M	1/2"	10'	10
7410	1/2"	10'	30
7508	5/8"	8'	30
7510M	5/8"	10'	10
7510	5/8"	10'	30

3/4" R. BULLNOSE J ROUND INSIDE AND OUTSIDE CORNERS

- INSIDE AND OUTSIDE CORNERS MATCH 2 BULLNOSE J ROUNDS
- JOINED AT 90° INSIDE OR OUTSIDE ANGLES

U.S. PATENT RE. 34,547

STOCK No.	SIZE	Pcs. PER BOX
0906M	1/2"	10
0906	1/2"	50
0907M	5/8"	10
0907	5/8"	50
0918M	1/2"	10
0918	1/2"	50
0919M	5/8"	10
0919	5/8"	50

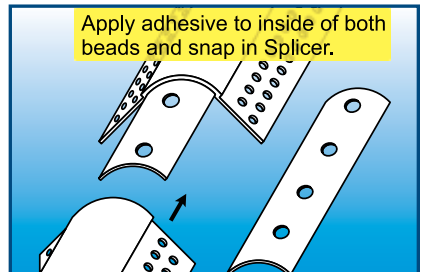


3/4" R. BULLNOSE SPLICER

- DESIGNED TO JOIN 2 SECTIONS OF A 3/4" R. BULLNOSE CORNER BEAD
- WORKS FOR JOINING STRAIGHT AND ARCHWAY BULLNOSE
- UNIQUE SPRING ACTION ALLOWS SPLICER TO BE SNAPPED INTO THE BEAD, MAKING FOR PERFECT ALIGNMENT

STOCK No.	Pcs. PER BOX
0925M	10
0925	100

U.S. PATENT #5,813,179

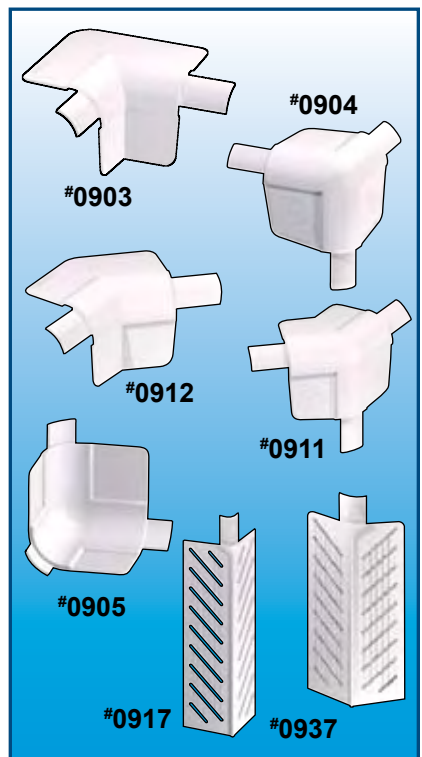


- #0903 - 3/4" R. BULLNOSE 2 WAY CORNER
- #0904 - 3/4" R. BULLNOSE 3 WAY OUTSIDE CORNER
- #0905 - 3/4" R. BULLNOSE 3 WAY INSIDE CORNER
- #0911 - 3/4" OFF ANGLE 3 WAY OUTSIDE CORNER
- #0912 - 3/4" OFF ANGLE 2 WAY CORNER
- #0917 - 3/4" R. BULLNOSE ADAPTER
- #0937 - 3/4" R. SPLAYED BULL ADAPTER

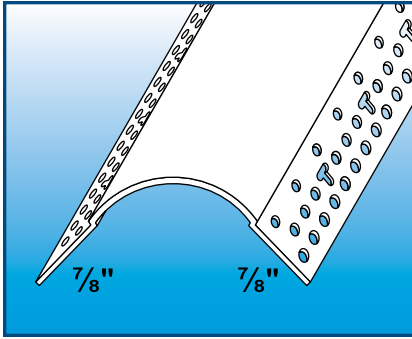
- 0903 IS DESIGNED TO FINISH 2 BULLNOSE OUTSIDE CORNERS THAT ADJOIN AT A 90° ANGLE
- 0904 IS DESIGNED TO FINISH 3 BULLNOSE OUTSIDE CORNERS THAT ADJOIN AT 90° OUTSIDE ANGLES
- 0905 IS DESIGNED TO FINISH 3 BULLNOSE INSIDE CORNERS THAT ADJOIN AT 90° INSIDE ANGLES
- 0911 IS DESIGNED TO FINISH 2 BULLNOSE OUTSIDE CORNERS AND 1 SPLAYED OUTSIDE CORNER ADJOINING AT AN OUTSIDE OFF ANGLE CORNER
- 0912 IS DESIGNED TO FINISH 2 BULLNOSE OUTSIDE CORNERS THAT ADJOIN AT A 135° ANGLE
- 0917 JOINS A 3/4" BULLNOSE OUTSIDE CORNER AND TRANSITIONS TO A SQUARE BOTTOM CORNER FOR SIMPLE INSTALLATION OF THE BASEBOARD
- 0937 JOINS TO A 3/4" BULLNOSE SPLAYED CORNER AND TRANSITIONS TO A SQUARE BOTTOM CORNER FOR SIMPLE INSTALLATION OF THE BASEBOARD

STOCK No.	Pcs. PER BOX
0903M	10
0903	50
0904M	10
0904	50
0905M	10
0905	50
0911M	10
0911	50
0912M	10
0912	50
0917M	10
0917	50
0937M	10
0937	50

U.S. PATENT #RE.34,547,
#6,630,503



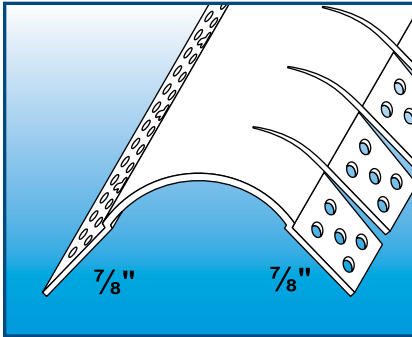
28 1 1/2" BULLNOSE BEADS



1 1/2" R. BULLNOSE OUTSIDE CORNER BEAD

- FEATURES A ROUND AND SOFT, YET PROMINENT LOOK
- LONGER MUD LEGS AND NEW HOLE PATTERN PROVIDE SUPERIOR STRENGTH AND DURABILITY
- MOST COMPLETE LINE OF 1 1/2" BEADS AND ACCESSORIES

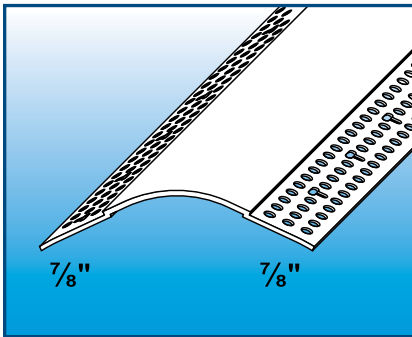
STOCK No.	LENGTH	Pcs. PER BOX
7098	8'	30
7099	10'	30
7092	12'	30



1 1/2" R. BULLNOSE ARCHWAY CORNER BEAD

- FEATURES NEW ROUNDER LOOK TO MATCH STRAIGHT BEAD
- LONGER MUD LEGS AND NEW HOLE PATTERN PROVIDE SUPERIOR STRENGTH AND DURABILITY

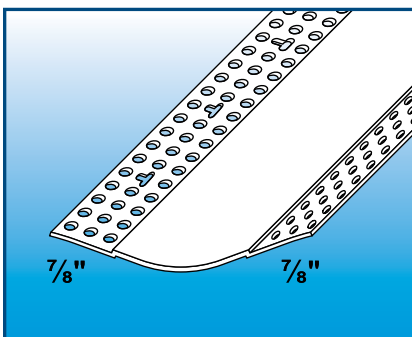
STOCK No.	LENGTH	Pcs. PER BOX
7198	8'	30
7199	10'	30



1 1/2" R. BULLNOSE SPLAYED CORNER BEAD

- GREAT FOR FINISHING ALL OFF ANGLE OUTSIDE CORNERS
- USED TO FINISH OFF ANGLE WALLS
- GIVES A SOFTER, MORE OPEN LOOK

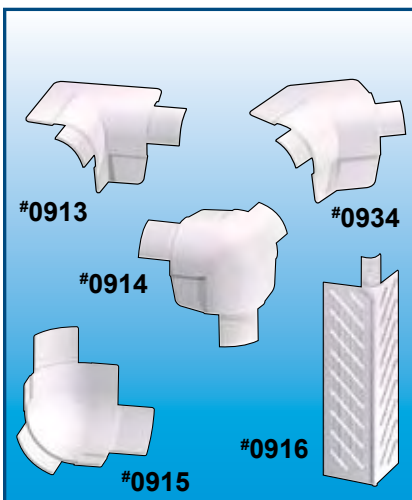
STOCK No.	LENGTH	Pcs. PER BOX
7399	10'	30



1 1/2" R. BULLNOSE INSIDE SPLAYED CORNER BEAD

- GREAT FOR FINISHING ALL OFF ANGLE INSIDE CORNERS
- USED TO FINISH OFF ANGLE WALLS
- GIVES A SOFTER, MORE OPEN LOOK

STOCK No.	LENGTH	Pcs. PER BOX
7360	10'	30



#0913 - 1 1/2" R. BULLNOSE 2 WAY CORNER

#0914 - 1 1/2" 3 WAY OUTSIDE CORNER

#0915 - 1 1/2" R. BULLNOSE 3 WAY INSIDE CORNER

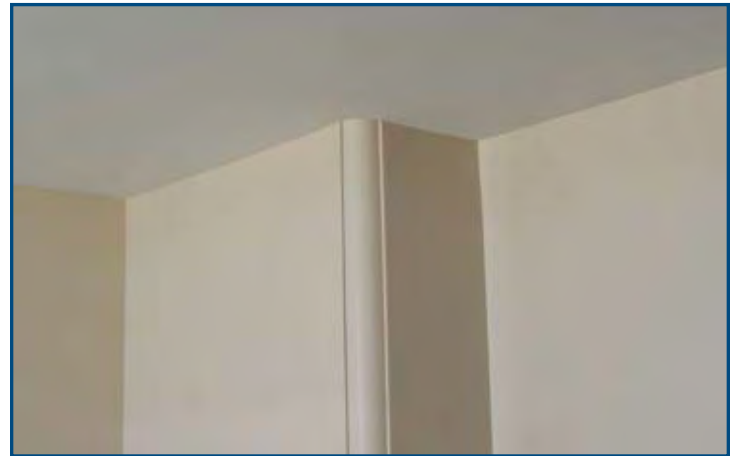
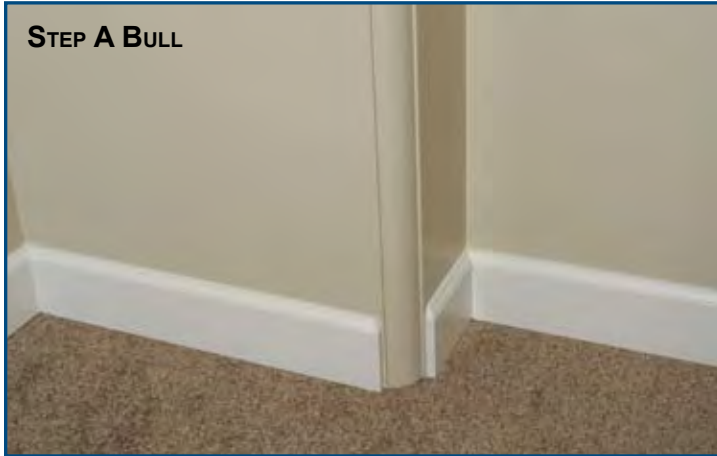
#0916 - 1 1/2" R. BULL ADAPTER

#0934 - 1 1/2" OFF ANGLE 2 WAY CORNER

- 0913 IS DESIGNED TO FINISH TWO 1 1/2" BULLNOSE OUTSIDE CORNERS MEETING AT A 90° ANGLE
- 0914 IS DESIGNED TO FINISH THREE 1 1/2" BULLNOSE OUTSIDE CORNERS THAT ADJOIN AT A 90° ANGLE
- 0915 IS DESIGNED TO FINISH THREE 1 1/2" BULLNOSE INSIDE CORNERS THAT ADJOIN AT A 90° INSIDE ANGLE
- 0916 IS DESIGNED TO ADAPT A 1 1/2" BULLNOSE OUTSIDE CORNER TO ANY SQUARE BASE
- 0934 IS DESIGNED TO FINISH TWO 1 1/2" BULLNOSE OUTSIDE CORNERS MEETING AT 135°

STOCK No.	Pcs. PER BOX
0913M	10
0913	50
0914M	10
0914	50
0915M	10
0915	50
0916M	10
0916	35
0934M	10
0934	50

U.S. PATENTS # D 431,304,
#34,547, #6,630,503



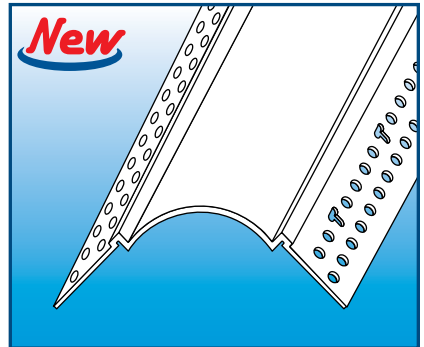
STEP A BULL

1 1/2" R. STEP A BULL

- THE 1 1/2" R. STEP A BULL FEATURES A 1 1/2" RADIUS AND 3/16" DEEP STEPS ON BOTH SIDES OF THE BULLNOSE TO CREATE A SHARP ATTRACTIVE CORNER DETAIL.
- PERFECT FOR ANY OUTSIDE CORNER, BUT IS ESPECIALLY BEAUTIFUL WHEN CREATING DECORATIVE COLUMNS AND SOFFITS.
- VISIT OUR WEBSITE OR REFER TO INSTRUCTION SHEETS FOR HOW TO CREATE 1 1/2" ARCHED DETAILS WITH STEP A BULL.
- DESIGNED TO COMPLEMENT THE 1 1/2" BULLNOSE PRODUCT LINE.

STOCK No.	SIZE	LENGTH	Pcs. PER BOX
7050	1 1/2"	10'	10
7058	1 1/2"	8'	10

BULL ADAPTERS WILL BE AVAILABLE SOON!



1 1/2" BULLNOSE BEADS

1 1/2" ARCHWAY BULLNOSE FINISHING TOOL

- FINISHING ARCHWAY BULLNOSE HAS JUST GOTTEN EASIER. USE THIS QUALITY TOOL WITH EACH COAT OF MUD TO WIPE THE RADIUS OF 1 1/2" R. BULLNOSE ARCHWAY CORNERS. THE TOOL CLEANS OFF THE EXCESS COMPOUND WHILE HELPING TO FILL THE SLOTS WITH MUD AS SHOWN TO THE RIGHT.

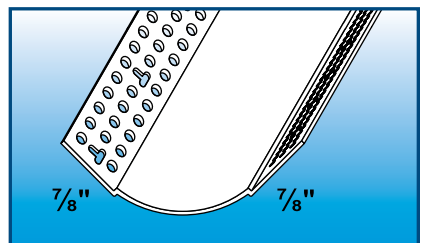
STOCK No.	SIZE	Pcs. PER BOX
0927	1 1/2"	5



1 1/2" R. BULLNOSE INSIDE CORNER BEAD

- INSIDE 90° CORNER BEAD
- ROUND LOOK SUPERIOR TO PLAIN TAPED CORNER

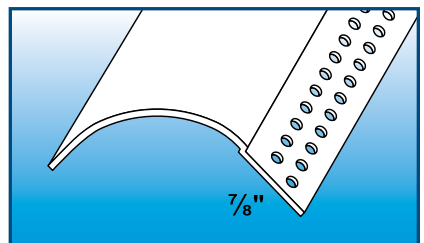
STOCK No.	LENGTH	Pcs. PER BOX
7068	8'	30
7066	10'	30
7062	12'	30



1 1/2" R. BULLNOSE KERFED CORNER BEAD

- ROUNDED FINISH

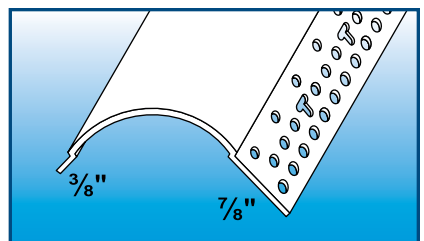
STOCK No.	LENGTH	Pcs. PER BOX
7090	10'	30



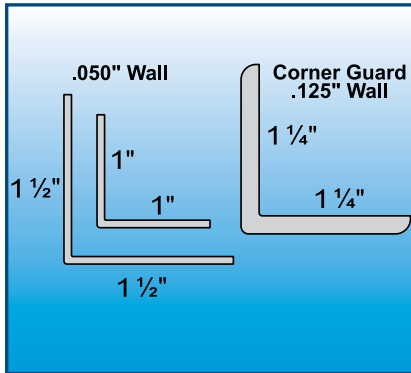
1 1/2" R. BULLNOSE TRADITIONAL STYLE KERFED CORNER BEAD

- 3/8" LEG WHICH CAN BE INSERTED INTO THE CHANNEL OF MANY PREFORMED DOORS AND WINDOW JAMBS

STOCK No.	LENGTH	Pcs. PER BOX
7090T	10'	30



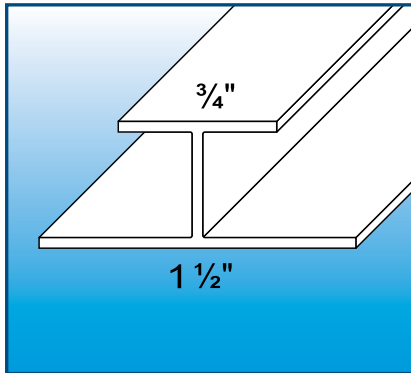
30 PREFINISHED WALLBOARD BEADS



L ANGLES

- PROTECTS SQUARE WALL CORNERS
- AVAILABLE IN WHITE AND COLORS LISTED TO THE RIGHT

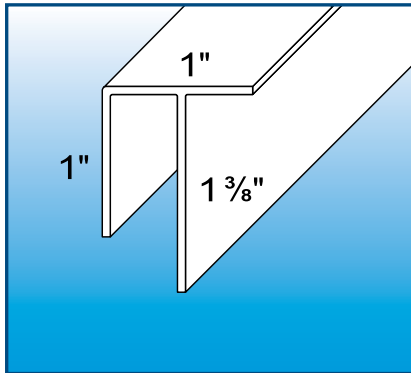
STOCK No.	SIZE	LENGTH	Pcs. PER BOX
8110	1"	10'	100
8210	1 1/2"	10'	50
8214	1 1/2" (BRONZE)	10'	50
8308	C. GUARD	8'	30
8310	C. GUARD	10'	30
8305	C. GUARD (CLEAR)	10'	30



H BEAD

- USED FOR JOINING PREFINISHED WALL PANELS
- WHITE ONLY

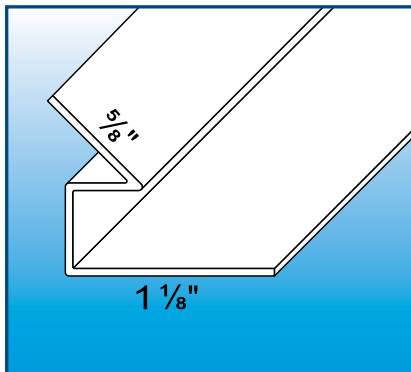
STOCK No.	SIZE	LENGTH	Pcs. PER BOX
8410	1/2"	10'	30
8510	5/8"	10'	30
8608	1"	8'	15
8610	1"	10'	15



F BEAD

- OUTSIDE CORNER FOR JOINING PREFINISHED WALL PANELS
- WHITE ONLY

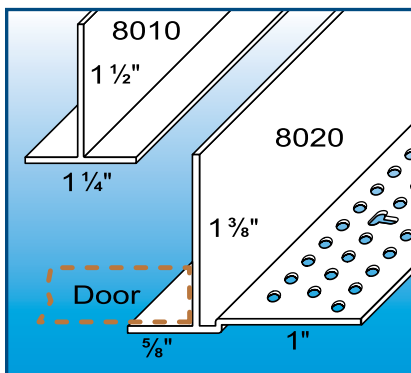
STOCK No.	SIZE	LENGTH	Pcs. PER BOX
8710	1/2"	10'	24
8720	5/8"	10'	24
8730	3/4"	10'	24



INSIDE CORNER

- INSIDE CORNER FOR JOINING PREFINISHED WALL PANELS
- WHITE ONLY

STOCK No.	SIZE	LENGTH	Pcs. PER BOX
8810	1/2"	10'	50
8820	5/8"	10'	50



ACCESS DOOR BEADS

- DESIGNED FOR FINISHING DRYWALL AROUND ACCESS DOORS
- PROVIDES A FLANGE FOR ACCESS DOOR TO REST ON
- 8010 HAS AN EXPOSED FLANGE
- 8020 IS EXTRA THICK AND HAS A MUD LEG FOR EASY FINISHING
- WHITE ONLY

STOCK No.	LENGTH	Pcs. PER BOX
8010	10'	20
8020	10'	12

TURNING YOUR KID'S ROOM INTO A 'HALL OF FAME'

Faced with the challenge of updating our son's bedroom without doing just the standard repaint, we Googled away searching for ideas. Our surfing brought us to the Trim-Tex website where they gave examples of "Drywall Art." Navigating our way through their extensive photo galleries, we were amazed at the imaginative ways used to improve the aesthetics in any type of room. We were especially impressed in how they showcased artwork and memorabilia with extra layers and beads in ways that grab your attention and make you ask, "How did they do that?" Most impressive were their ceiling ideas. Yes, Ceiling ideas. Most decorators would never suggest changes to the ceiling without major investments in wooden crown moldings or the expensive framing involved with tray ceilings! We wanted to know more and called the company for a catalog which came with a copy of a magazine article featuring their EZ-Tray Ceiling System.



A friend of ours is a drywall contractor by trade, so we just mentioned the company and received a "good choice" nod which is always comforting. He explained that aside from vinyl being more durable than metal since it won't get 'all bent out of shape,' it also offers more flexibility so your imagination can take charge! After looking over the 14'x12' room, he pieced together a collection of ideas from several Trim-Tex photos that we liked and provided a design concept with a pricing structure of time and materials to fit our budget.

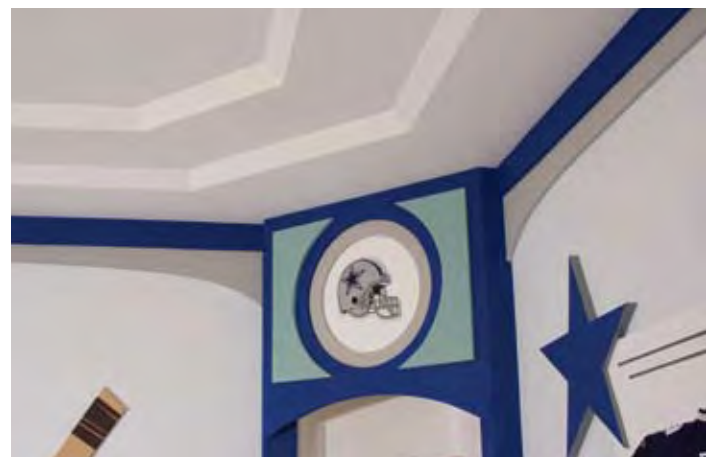
The tray ceiling product, appropriately named EZ-Tray, was our starting point. The actual framing out of the ceiling in 2x2's went fast, so a second layer quickly followed. We gained the uplifting effect of a traditional tray ceiling, but only lost two inches of room height around the perimeter for each layer instead of the standard eight inches, and the project cost so far was minimal. The most difficult part of this adventure was deciding the width and the shape of the initial tray and whether to install a second layer, the rest was a breeze! When we stepped back to take a look from the doorway, it was hard to believe we were in the same room.

Our next step was to build a lighted corner niche from floor to ceiling using vinyl corner bead, layers of drywall, and Archway L-Bead. Glass shelving would be installed for trophies, keepsakes, etc, and a team logo would be inset within the circle at the top. To generate a sense of motion, we added two layers of drywall near the ceiling to sweep around the room which would be painted with Dallas Cowboy colors pulling everything together. We were so impressed with how easy it was to work with these products and achieve such outstanding results that we decided to add more!

For the finishing touches, the extra scraps of drywall and beads were put to work to construct a personalized headboard with a montage of his favorite sports. Last, but not least, we added a special Drywall Art frame to showcase the biggest surprise of all at the room's unveiling. With the money we saved by not using wood and minimizing waste we could now afford an official autographed Tony Romo jersey! Thank you Trim-Tex for making our son's dream room come true. Now, if we could only get him to leave his new room to empty the dishwasher!

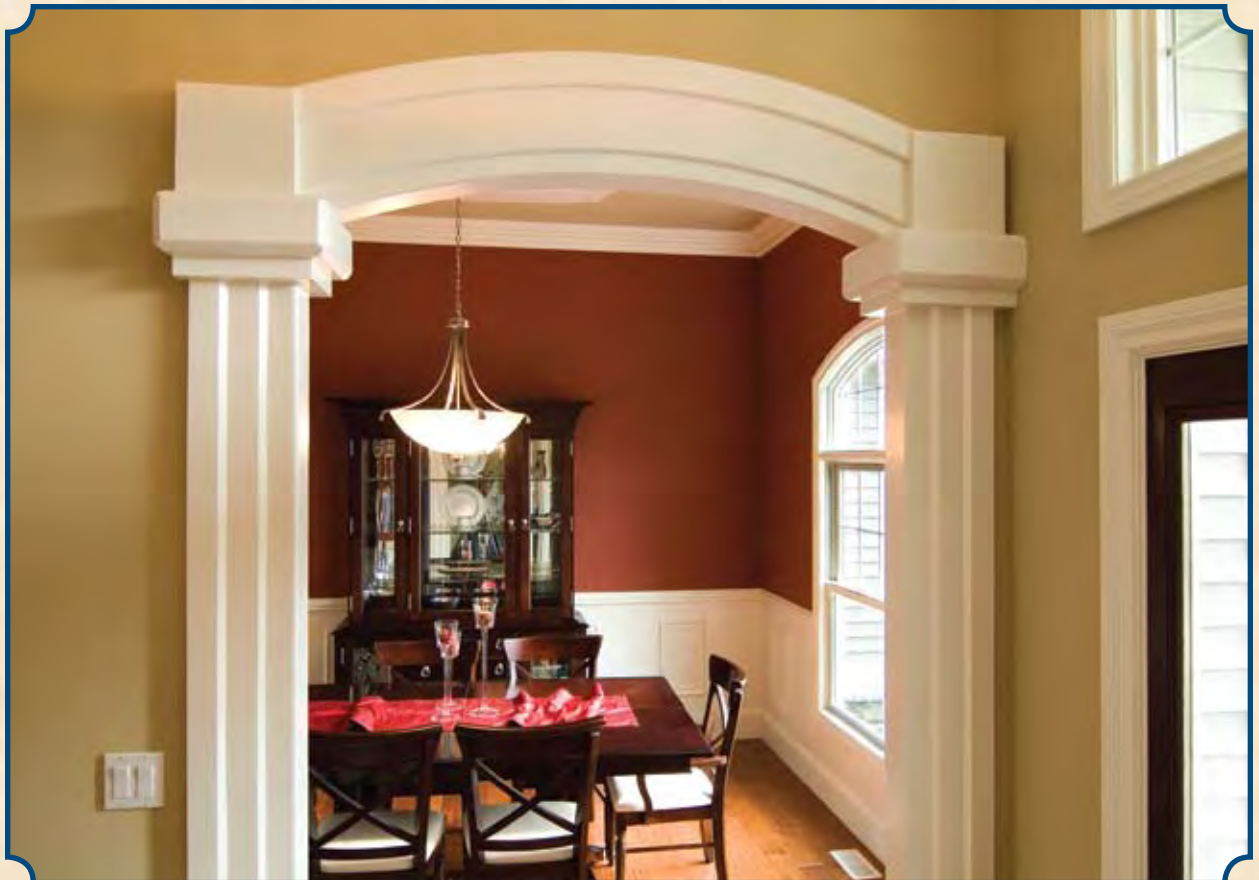


For more information please visit: www.EzTraySystem.com





Tom Sass 2006 Drywall Artist of the Year



Tom Sass 2006 Drywall Artist of the Year



Tom Sass 2006 Drywall Artist of the Year



Tom Sass 2006 Drywall Artist of the Year

34 PHOTO GALLERY



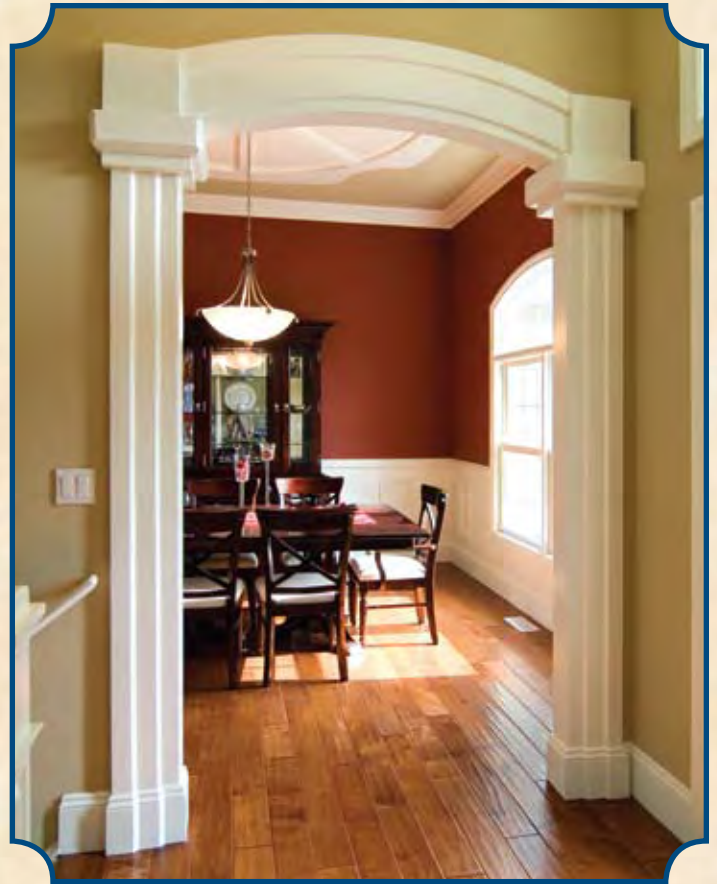
Tom Sass 2006 Drywall Artist of the Year



Tom Sass 2006 Drywall Artist of the Year



Tom Sass 2006 Drywall Artist of the Year



Tom Sass 2006 Drywall Artist of the Year

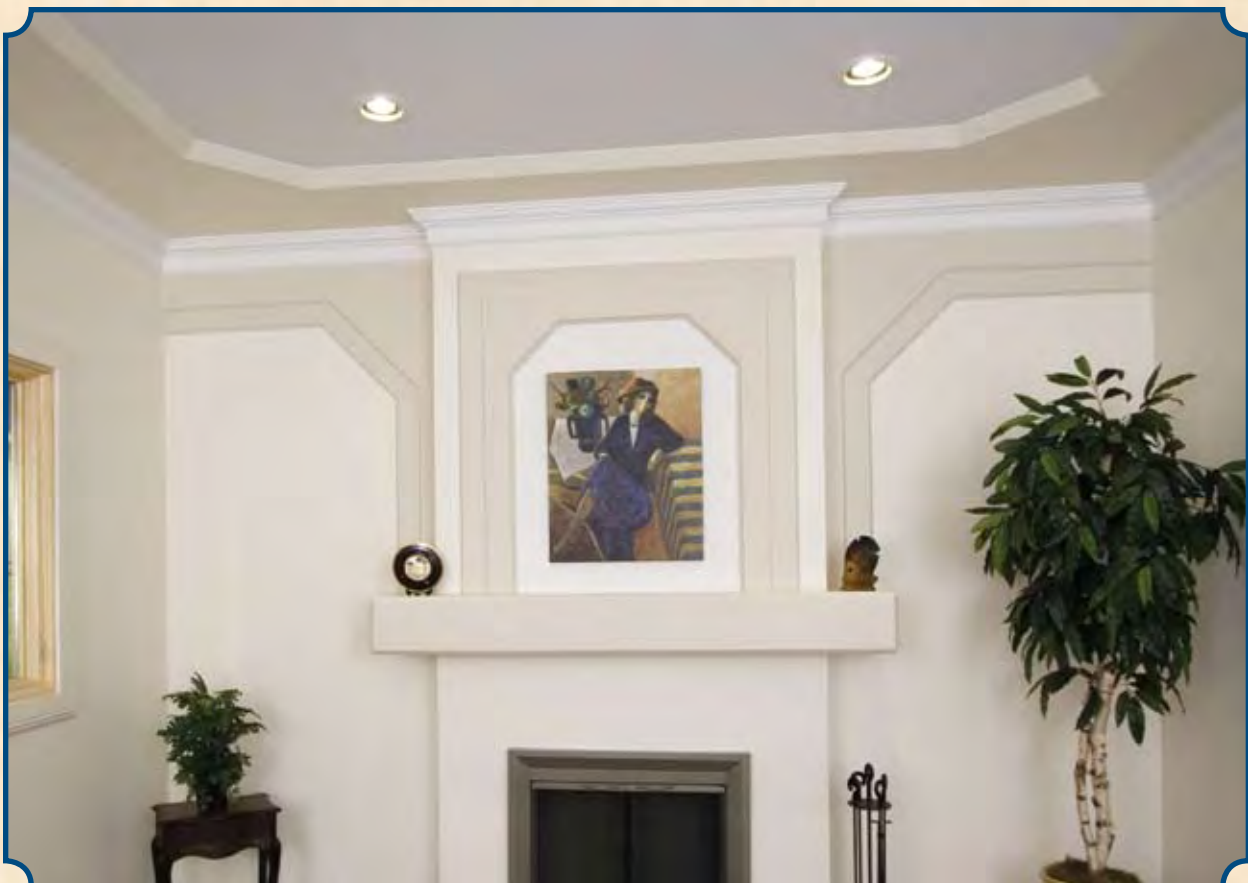


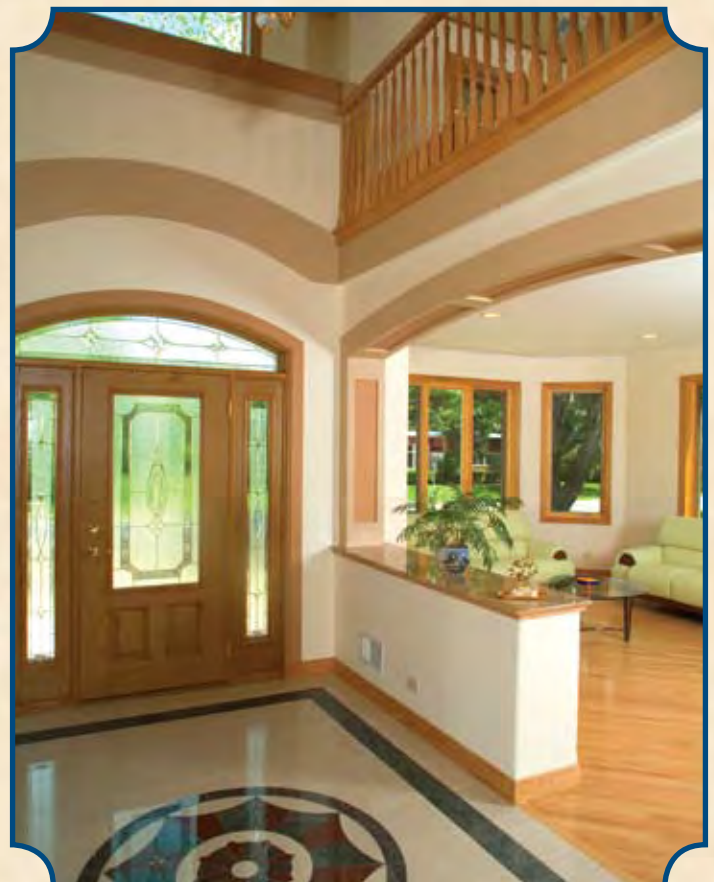
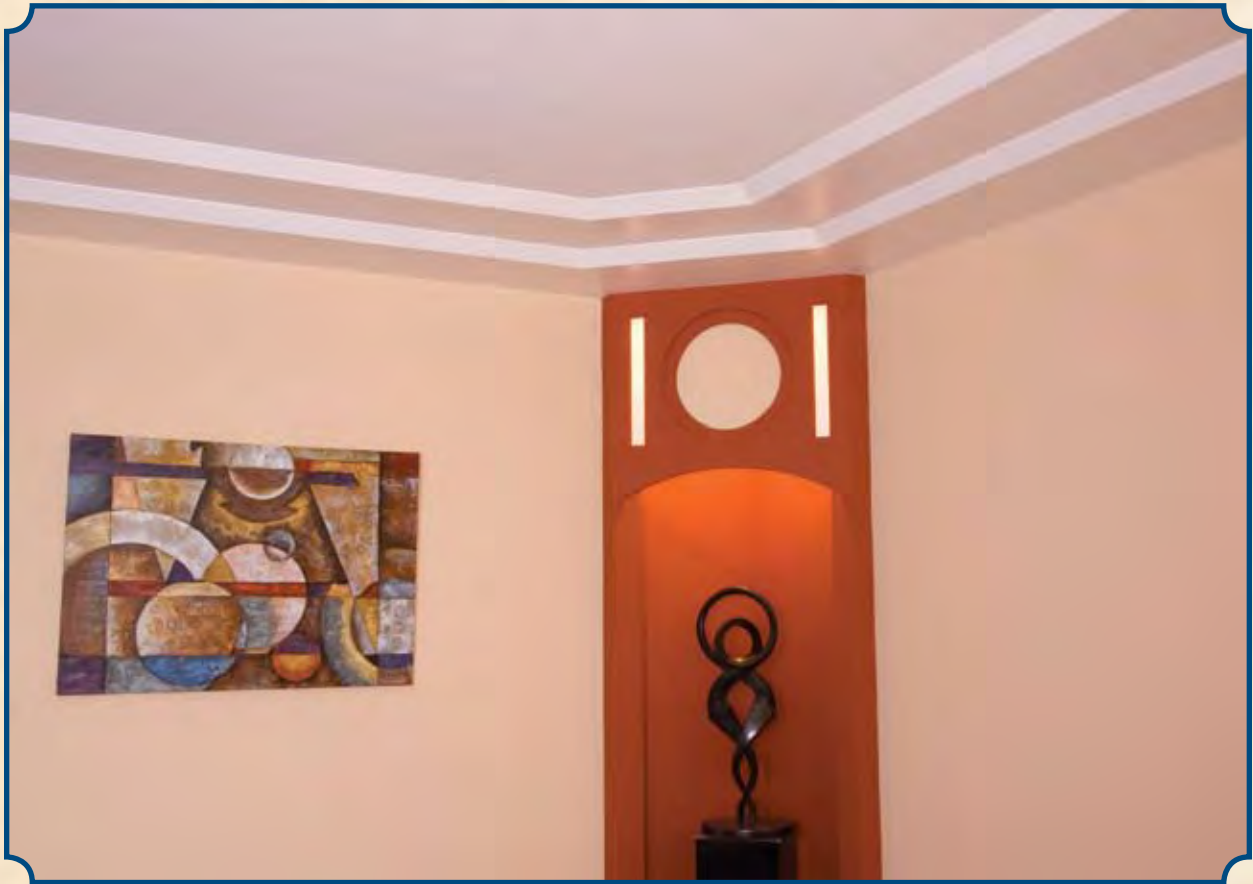
Tom Sass 2006 Drywall Artist of the Year



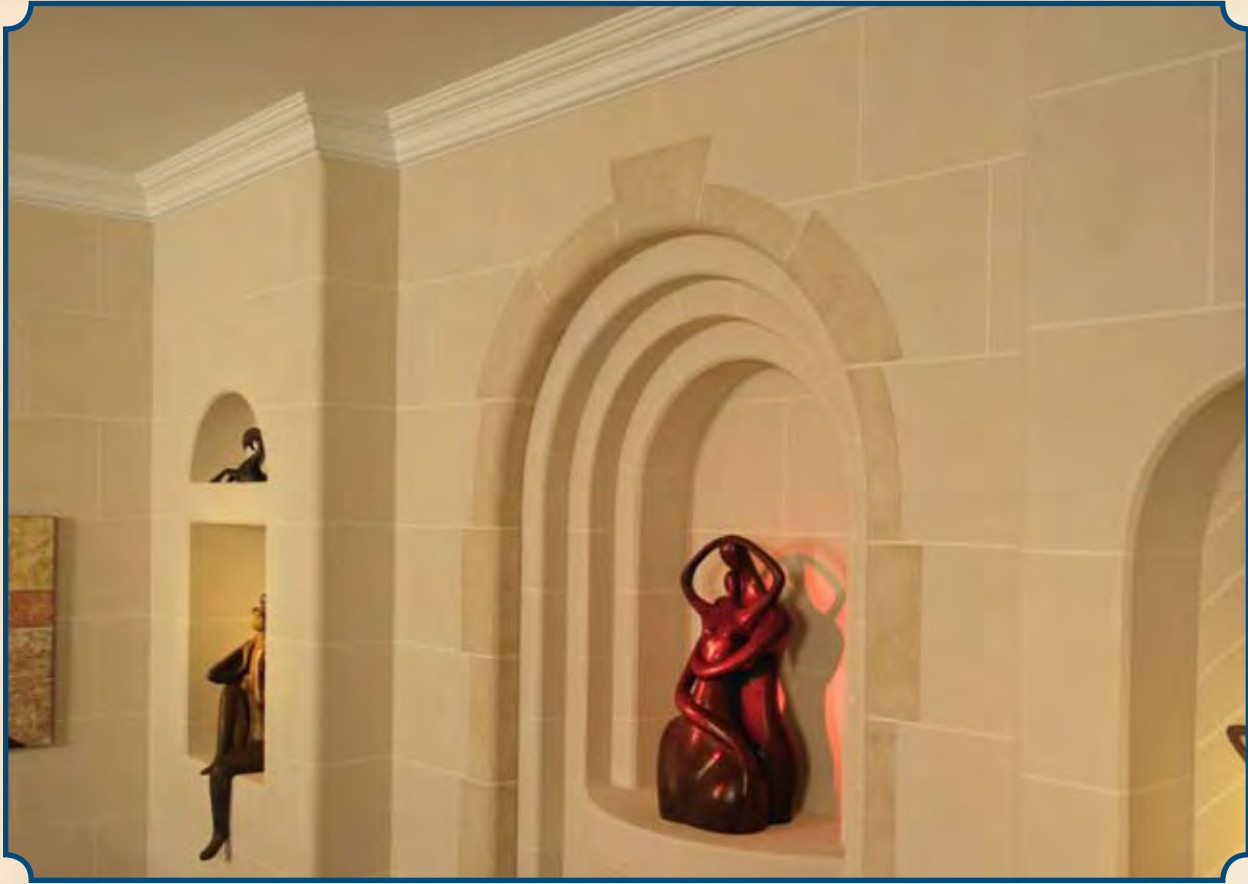
Tom Sass 2006 Drywall Artist of the Year

36 PHOTO GALLERY





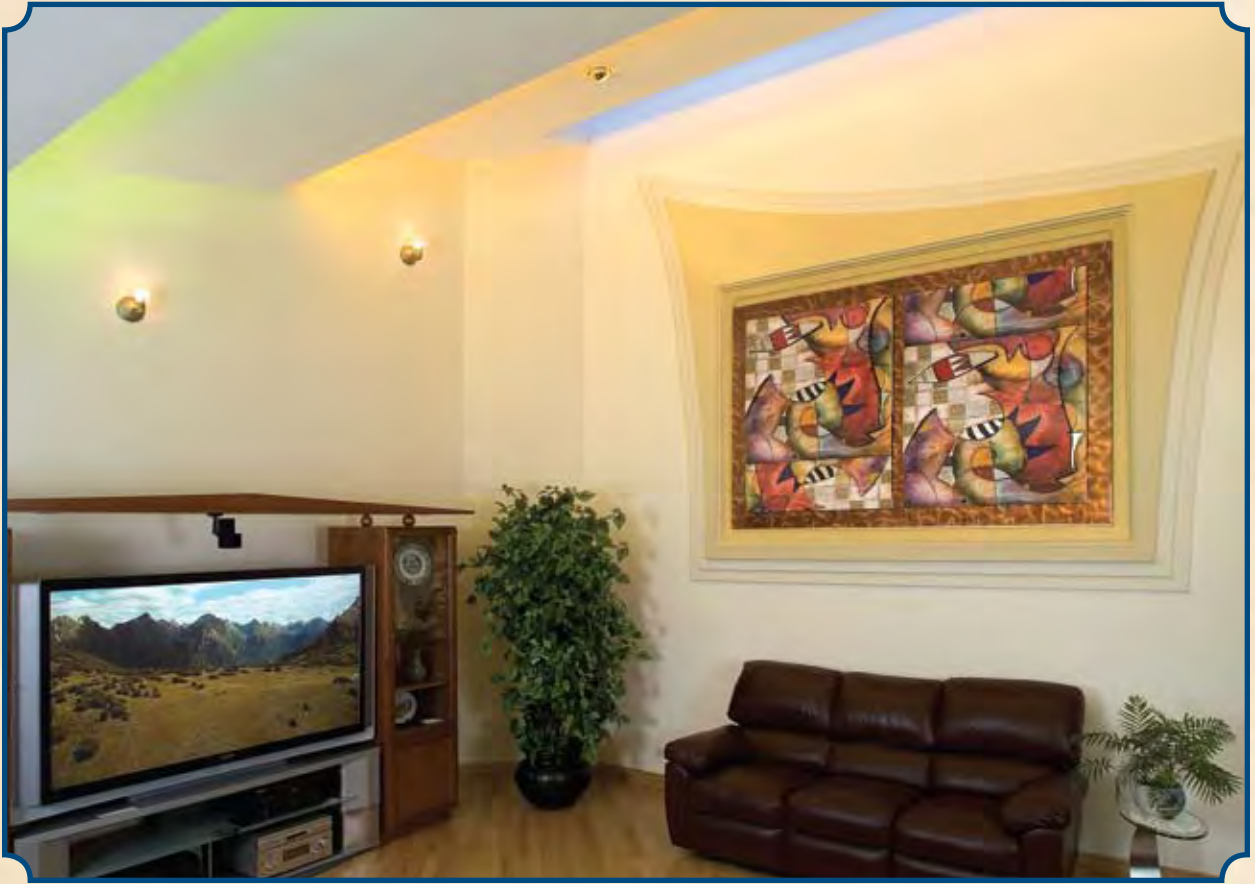
38 PHOTO GALLERY





40 PHOTO GALLERY







DEDICATED PROFESSIONALISM

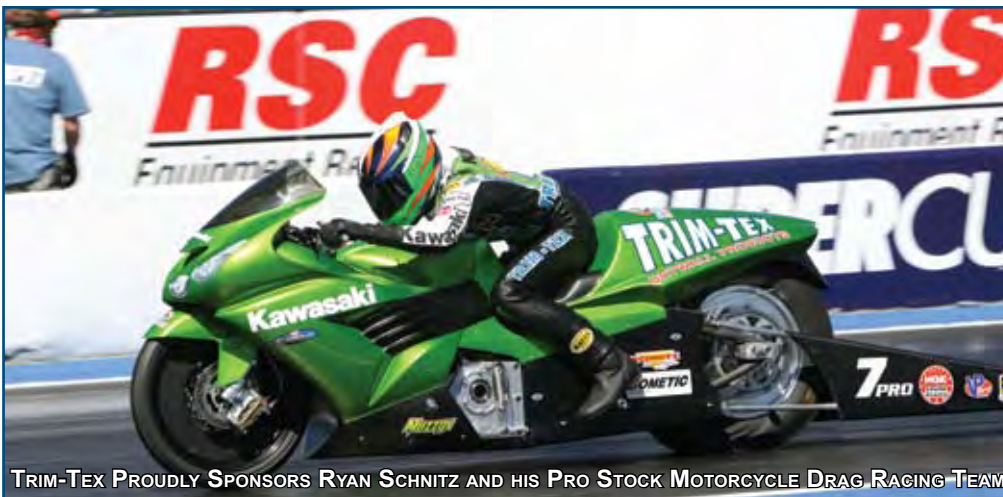
TEAM TRIM-TEX

OUR STAFF OF OVER 165 TEAM MEMBERS STAND READY TO SERVICE YOUR NEEDS, ENGINEER, MANUFACTURE, AND SHIP TO YOU THE HIGHEST QUALITY PRODUCTS FOR DRY-WALL FINISHING. MAKE US PART OF YOUR TEAM.

CONSISTENT HIGH QUALITY PRODUCTS

100 % IN STOCK

HOW MANY COMPANIES CAN LIVE UP TO THAT GUARANTEE. FOR OVER 39 YEARS WE HAVE ACHIEVED OUR COMMITMENT OF HAVING EVERY ITEM IN OUR CATALOG IN STOCK AND READY TO SHIP.



TRIM-TEX PROUDLY SPONSORS RYAN SCHNITZ AND HIS PRO STOCK MOTORCYCLE DRAG RACING TEAM

EXCELLENT CUSTOMER SERVICE

SAME DAY SHIPPING

OUR AWARD WINNING FRIENDLY KNOWLEDGEABLE CUSTOMER SERVICE STAFF WILL MAKE SURE YOUR ORDER IS HANDLED QUICKLY, FROM THE MOMENT YOU PLACE YOUR ORDER TO WHEN IT ARRIVES AT YOUR DOOR.

TRADEMARKS

TRIM-TEX, DRYWALL ART, PULLAWAY, TEAR AWAY, EZ TRAY, MUD SET BEADS, STEP A BULL, CHAMFER BEAD, CHAMFER STOP, CHAMFER 3 WAY, CHAMFER MARKER, 350 CHAMFER BEAD, 350 CHAMFER ARCH, MAGIC CORNER, HIDEAWAY, 093V, FAST CAP, MUD ON, FLEX-GRID ANGLE, 350 BULL, 350 BULL ARCH, MITER MARKER, MUD MAX, BLACK WIDOW, 847, TEX11 AND 848 ARE TRADEMARKS OF TRIM-TEX, INC. BACKERBOARD AND BUTTBOARD ARE TRADEMARKS OF BBI INC. IRWIN IS A TRADEMARK OF IRWIN INDUSTRIAL TOOLS. NORTH IS A TRADEMARK OF NORTH SAFETY PRODUCTS. LIQUID NAILS IS A TRADEMARK OF THE GLIDDEN COMPANY. SUPER SURE SHOT AND DUO-FAST ARE TRADEMARKS OF DUO-FAST.

SPECIAL THANKS

WE WOULD LIKE TO THANK THE FOLLOWING FOR THEIR CONTRIBUTION TO THIS CATALOG: PHOTOGRAPHY - DENNIS JOURDAN FROM DENNIS JOURDAN PHOTOGRAPHY, INC. 847-564-2570; CREATIVE CONSULTANT - JAMES SPRINKLE FROM CREATIVE CONCEPTS 847-776-0870;

AWARDS AND MEMBERSHIPS

TRIM-TEX IS A PREFERRED VENDOR OF L&W, THE DRAKE GROUP, AMAROK AND ALLIED. TRIM-TEX IS THE PROUD RECIPIENT OF VENDOR OF THE YEAR FOR 2002 AND 2006 FROM AMAROK. TRIM-TEX IS ALSO THE PROUD RECIPIENT OF THE 2004 OUTSTANDING CORPORATE CITIZEN AWARD FROM THE LINCOLNWOOD CHAMBER OF COMMERCE AND 1998 AWARD FOR OUTSTANDING ETHICAL BEHAVIOR IN BUSINESS PRACTICES SPONSORED BY THE AMERICAN SOCIETY OF CLU & CHFC AND THE UNIVERSITY OF ILLINOIS AT CHICAGO SCHOOL OF BUSINESS ADMINISTRATION. TRIM-TEX IS ALSO A RECIPIENT OF THE 1999 MANUFACTURING COUNTS AWARD SPONSORED BY CRAIN'S CHICAGO BUSINESS AND THE ILLINOIS INSTITUTE OF TECHNOLOGY. TRIM-TEX IS ALSO A PROUD MEMBER OF THE FOLLOWING ORGANIZATIONS: AIA THE AMERICAN INSTITUTE OF ARCHITECTS CALIFORNIA COUNCIL, AWCIASSOC. OF THE WALL & CEILING INDUSTRIES, CAWCC CHICAGOLAND ASSOC. OF WALL & CEILING CONTRACTORS, CISCA CEILING & INTERIOR SYSTEMS CONSTRUCTION ASSOC., CSI CONSTRUCTION SPECIFICATIONS INSTITUTE, DISCA DRYWALL & INTERIOR SYSTEMS CONTRACTORS ASSOC., FWCI FOUNDATION OF THE WALL & CEILING INDUSTRY, GDCNI GYPSUM DRYWALL CONTRACTORS OF NORTHERN ILLINOIS, HOME BUILDERS ASSOCIATION OF CHICAGO, IMA ILLINOIS MANUFACTURERS ASSOC., NAHB NATIONAL ASSOC. OF HOME BUILDERS, NAM NATIONAL ASSOC. OF MANUFACTURERS, NIHBA NORTHERN ILLINOIS HOME BUILDERS ASSOCIATION, AND THE NORTHWEST WALL & CEILING BUREAU.

RIGID VINYL PHYSICAL DATA

TRIM-TEX DRYWALL BEADS ARE MADE FROM RIGID PVC. RIGID PVC DOES NOT SUPPORT COMBUSTION AND IS SELF EXTINGUISHING WHEN THE SOURCE OF THE FLAME IS REMOVED. RIGID PVC PRODUCTS MADE BY TRIM-TEX MEET ASTM SPECIFICATIONS D3678-97 CLASS 2, D1784-03, C1047-99. TRIM-TEX DRYWALL PRODUCTS ARE DESIGNED FOR INTERIOR APPLICATIONS ONLY. FOR DETAILED INFORMATION ON PHYSICAL PROPERTIES, PLEASE CALL THE CUSTOMER SERVICE DEPARTMENT.

INSTALLATION

DRYWALL BEADS CAN BE NAILED, STAPLED, APPLIED WITH 847 SPRAY ADHESIVE OR ANY COMBINATION OF THE ABOVE. PLEASE SEE 847 CAN FOR DETAILED USAGE INSTRUCTIONS. DO NOT INSTALL WITH TAPERED HEAD DRYWALL SCREWS. MUD SET BEADS ARE COMPATIBLE WITH MOST DRYWALL COMPOUNDS, HOPPERS AND INSTALLATION TOOLS. SEE PRODUCT PAGES, PRODUCT CARTON OR YOUR DEALER FOR ANY PRODUCT SPECIFIC INSTALLATION INSTRUCTIONS. ALL BEADS CAN BE PAINTED. FOR BEST RESULTS USE A HIGH QUALITY PAINT. PRIMING IS NOT REQUIRED. ALL DIMENSIONS IN THIS CATALOG ARE SHOWN FOR REFERENCE ONLY. IF YOU NEED MORE EXACT DIMENSIONS, PLEASE CONTACT TRIM-TEX CUSTOMER SERVICE. WATCH INSTALLATION VIDEOS ON WWW.DRYWALLART.COM.

CUSTOM EXTRUSIONS

FREE TOOLING! TRIM-TEX HAS ELIMINATED TOOLING FEES FOR CUSTOM SHAPES AND SIZES. CALL FOR DETAILS AND A PERSONALIZED QUOTE.

WARRANTY

TRIM-TEX, INC. WARRANTS THAT THE PRODUCTS MANUFACTURED BY TRIM-TEX TO BE FREE FROM MANUFACTURING DEFECTS WHEN INSTALLED IN ACCORDANCE WITH THE GUIDELINES AND INSTRUCTIONS, WHERE INDICATED, AND IN ACCORDANCE TO THE CUSTOMARY AND ORDINARY STANDARDS OF THE INDUSTRY.

TRIM-TEX, INC.'S SOLE RESPONSIBILITY SHALL BE FOR THE REPLACEMENT OF PRODUCT ONLY, WHEN IT HAS BEEN DETERMINED BY TRIM-TEX, INC. THAT THE PRODUCT WAS DEFECTIVE AS A RESULT OF MANUFACTURING AND NOT AS A RESULT OF IMPROPER INSTALLATION OR HANDLING. TRIM-TEX ASSUMES NO LIABILITY OR RESPONSIBILITY FOR ANY DIRECT, INDIRECT OR CONSEQUENTIAL DAMAGES THAT MAY ARISE FROM THE USE OF ANY PRODUCT MANUFACTURED BY TRIM-TEX. TRIM-TEX ASSUMES NO RESPONSIBILITY FOR ANY DEFECTIVE PRODUCT NOT MANUFACTURED BY TRIM-TEX IN WHICH A PRODUCT OF TRIM-TEX IS ATTACHED TO OR MADE A PART OF SAID PRODUCT.

NEITHER TRIM-TEX, ITS OFFICERS, AGENTS OR EMPLOYEES HAVE THE AUTHORITY TO MAKE ANY OTHER WARRANTY EITHER ORALLY OR IN WRITING.

SPECIFICATIONS

(ABSTRACT) FOR FULL 3 PART SPEC PLEASE VISIT WWW.TRIM-TEX.COM

PART 1 GENERAL

ALL DRYWALL BEADS ARE MADE OF RIGID PVC OR RIGID AND FLEXIBLE PVC. UNLESS OTHERWISE SPECIFIED, BEADS HAVE A MUD LEG 7/8" - 1-1/4" WIDE. NOMINAL WALL THICKNESS IS .040". LARGER PRODUCTS SUCH AS FAST CAPS AND SUPER & GIANT L BEADS CARRY A NOMINAL WALL OF .070". RATED FOR INTERIOR USE ONLY. PRODUCTS CAN BE PAINTED WITH ANY INTERIOR PAINT.

PART 2 DRYWALL BEADS

CORNER BEADS: REGULAR & ARCH CORNER BEADS, INSIDE AND OUTSIDE SPLAYED CORNER BEADS, JUMBO CORNER BEADS, JUMBO ARCHWAY CORNER BEADS, SKIM COAT PLASTER BEADS, CHAMFER BEADS, 350 CHAMFER BEADS, 350 CHAMFER ARCH.

MUD SET BEADS: REGULAR & ARCH CORNER BEADS, OUTSIDE SPLAYED CORNER BEADS, 3/4" & 1 1/2" R. BULLNOSE BEADS.

EXPANSION PRODUCTS: MAGIC CORNER, HIDEAWAY & 093V EXPANSION, SHADOW BEAD, REVEAL BEAD.

BULLNOSE: 350 BULL, 3/4" & 1 1/2" R. INSIDE, OUTSIDE, SPLAYED AND KERFED BULLNOSE, 2 WAY & 3 WAY CORNERS.

DECORATIVE & ACOUSTICAL: BULL-RAIL, J ROUND, FLEX GRID ANGLE, CROWN MOLDINGS.

OTHERS: REGULAR & BULLNOSE FAST CAPS, SNAP CAPS, 2 1/2" STUD FAST CAPS, J BEADS, L BEADS, PULLAWAY, TEAR AWAY.

PART 3 EXECUTION

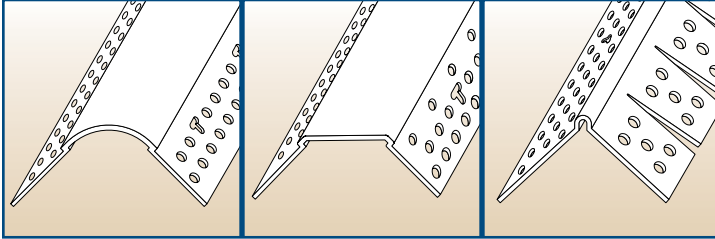
DRYWALL BEADS CAN BE STAPLED OR GLUED. DO NOT USE SCREWS. ADDITIONALLY, BEADS CAN BE ADHERED TO THE WALL WITH TRIM-TEX 847 SPRAY ADHESIVE. 847 IS A HIGH TACK PRESSURE SENSITIVE ADHESIVE THAT CAN BE APPLIED TO THE BEAD, THE DRYWALL OR BOTH. SOME PRODUCTS SUCH AS THE EXPANSION JOINTS AND MAGIC CORNER REQUIRE 847 TO BE APPLIED TO THE WALL AND THE BEAD AND THEN STAPLED EVERY 6-8". MUD SET BEADS ARE COMPATIBLE WITH MOST DRYWALL COMPOUNDS, HOPPERS AND INSTALLATION TOOLS. SEE PRODUCT CARTON FOR ANY PRODUCT SPECIFIC INSTALLATION INSTRUCTIONS. FOR THE ULTIMATE DRYWALL COMPOUND PERFORMANCE, ADD MUD MAX TO YOUR DRYWALL COMPOUND.



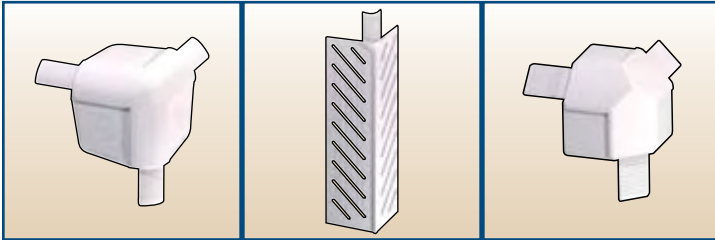
TRIM-TEX^{INC.}

DRYWALL PRODUCTS

RIGID VINYL DRYWALL BEADS



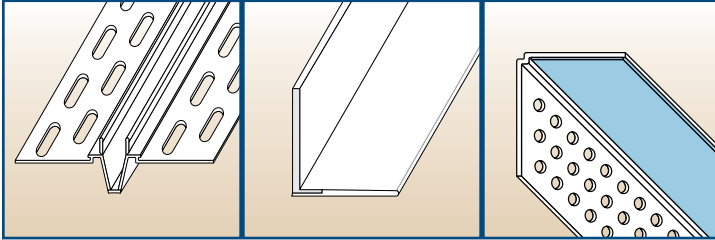
CORNER CAPS & ACCESSORIES



INSTALLATION & FINISHING TOOLS



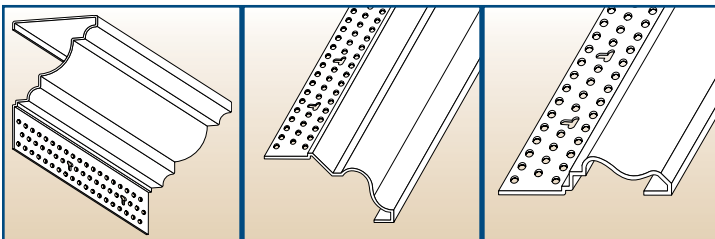
EXPANSION JOINTS & CEILING PRODUCTS



SPRAY ADHESIVES & ABRASIVE PRODUCTS



CROWN MOLDINGS & DRYWALL ART BEADS



ACCEPT NO SUBSTITUTES!

PROTECT YOUR REPUTATION! ANY DIFFICULT DRYWALL JOB COMES WITH ITS SHARE OF CONCERNS. AT A TIME LIKE THIS YOU NEED CONFIDENCE IN THE DRYWALL BEADS YOU ARE USING. TRIM-TEX BEADS ARE BACKED BY 39 YEARS OF CONSISTENT QUALITY, ENGINEERING AND AWARD WINNING CUSTOMER SERVICE. DON'T RISK YOUR REPUTATION ON IMITATION PRODUCTS! ALWAYS LOOK FOR THE BLUE TRIM-TEX LOGO ALONG WITH OUR TRADEMARK "T" PUNCH. WE PROUDLY IDENTIFY TRIM-TEX PRODUCTS TO MAKE YOUR JOB EASIER; EVERY PIECE, EVERY BOX, EVERY SKID.



Distributed By: