

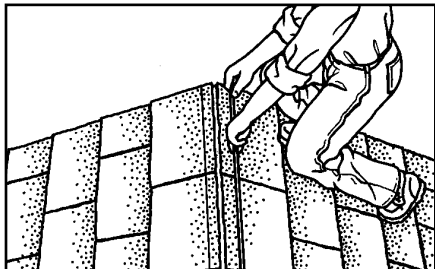
SHINGLEVENT® II

Installation Instructions

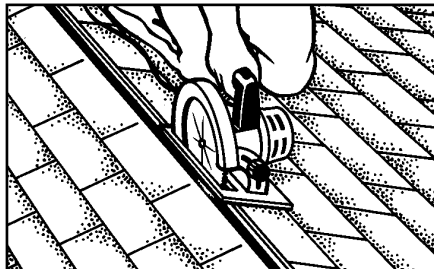
ShingleVent II fits roofs with 3/12 to 16/12 pitches.
ShingleVent II-7 and II-9 fit roofs with 3/12 to 12/12 pitches.

IMPORTANT NOTES

1. When using standard flat 3 tab shingles, it is unnecessary to caulk under flange of the vent.
2. Caulk between low areas of shingle and flange of vent, making sure you don't plug drain holes.
3. When applying vents to shakes, fold felt as shown in drawings on other side.
4. Before fastening vent, make sure filter is secured between shingles and vent.
5. When installing vent in cold weather, leave a 1/8" gap between vent sections to allow for expansion in hot weather.
6. See instructions below for cutting slot.
7. For best appearance, run ShingleVent II from end to end to give the roof a more even, attractive appearance.
8. When using a nail gun to install cap shingles over ShingleVent II, special care should be taken. It is important that the roofing nails penetrate the roof deck without compressing ShingleVent II. Nails driven too deep will dimple or distort the cap shingles. Nails not driven deep enough may allow ShingleVent II fasteners to back out of the roof deck and could result in blow-offs.



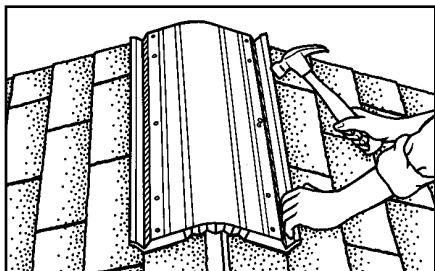
1. On existing roofs, remove cap shingles. Mark slot width at both ends of ridge. Use slot guides imprinted on vent and refer to drawings below. Snap chalk line on both sides of ridge.



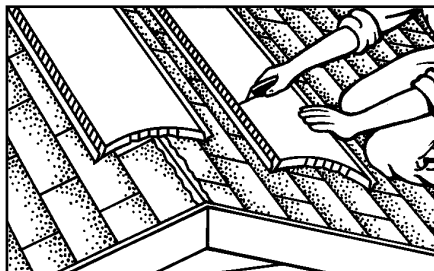
2. Cut slot (plumb cut, if possible). *Note: Adjust depth of blade to avoid cutting rafters or trusses.* Refer to drawings below for slot dimensions. Remove debris from slot.



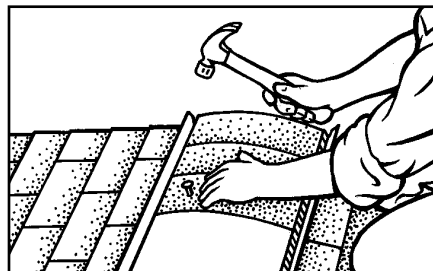
3. Center vent over slot. End should be flush with end of roof. Make sure vent's support ribs sit flat on the roof, and that filter is secure between shingles and vent.



4. Pre-fasten first section using roofing nails through pre-drilled nail bosses. Continue to pre-fasten remaining sections, making sure support ribs are flat on the roof and filter is secure between shingles and vent.



5. Use utility knife to cut final section to length. Final section should be oriented so that the integrated end plug is flush with the end of the roof. Pre-fasten final section.



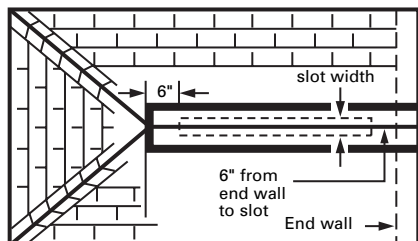
6. Nail cap shingles in place using roofing nails long enough to penetrate roof sheathing. Use nailing lines provided on vent as guide. If using a nail gun, see #8 under important notes.

INSTRUCTIONS FOR CUTTING SLOTS

----- indicates slot width ——— indicates vent run - - - - indicates end wall

Hip and Gable Roofs

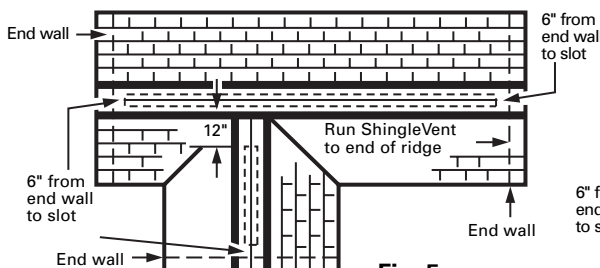
Cut slot 3/4" on both sides of ridge centerline or from ridge board and to within 6" of end wall or hip intersection as illustrated in Figure 4.



Hip end Fig. 4 Gable end

"L" and "T" Shaped Roofs

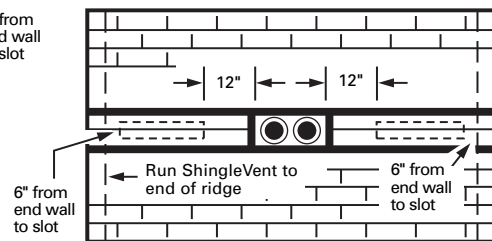
Cut slot, as per Figure 5 and run ShingleVent II across long ridge. On short ridge, cut slot to within 12" of junction point and run ShingleVent II from end of roof to butt against crossing ShingleVent II.



End wall Fig. 5 End wall

Chimneys

Cut slots to within 12" of chimney. Run ShingleVent II from end of roof to butt against chimney as shown in Figure 6.



End wall Fig. 6 End wall

NOTE: Air Vent's written warranty for this product shall not apply in any instance in which the product was not installed in accordance with the instructions contained herein.

Highest quality co-polymer remains sturdy, nailable, and flexible, in all climates.

Cap shingles install easily, making the vent virtually invisible.

External wind baffle creates low air pressure above the vent and helps pull air out of the attic.

Built in end plug seals the end.

High gloss nailing lines for accurate, fast cap shingle nailing.

Internal weather filter made of untreated, unwoven fiberglass to protect from weather infiltration.

Imprinted slot guides for proper slot opening and alignment.

Nail bosses, reinforced nail holes designed to prevent over nailing, located at 16" and 24" centers.

Air slots have 18 sq. inches (ShingleVent II) or 16 sq. inches (ShingleVent II-7 and ShingleVent II-9) free vent area per lineal foot.

Reinforced ribs for greater stability and rigidity.

(See other side for additional installation instructions)

AIR VENT INC.
4117 Pinnacle Point Drive
Suite 400, Dallas TX 75211
800-AIR-VENT (247-8368)

SHINGLEVENT® II

Installation Instructions

ShingleVent II fits roofs with 3/12 to 16/12 pitches.
ShingleVent II-7 and II-9 fit roofs with 3/12 to 12/12 pitches.

See below for special conditions of steep pitch roofs and truss type construction.

Thanks for choosing ShingleVent II!

This product is engineered to provide the best, most efficient ventilation system available. When properly installed, ShingleVent II will:

- Help prevent the premature deterioration of shingles and other roofing materials caused by inadequate ventilation.
- Meet typical roof shingle warranty ventilation requirements.
- Help prevent attic heat build-up and ice dams by continuously moving air along underside of roof deck.

For best results install adequate intake vents

ShingleVent II is designed to exhaust moisture-laden air from the attic. To achieve optimum ventilation efficiency, existing roof vents, turbine vents and gable vents should be removed or plugged, and intake ventilation must be installed at the soffit or eave. Products such as Air Vent's Continuous Soffit Vent, Vented Drip Edge or Undereave Vent provide the necessary intake ventilation for optimum performance provided the intake net free area matches or exceeds the exhaust net free area.

ShingleVent II is a snap to install!

Just follow these simple instructions. If you have any questions or require special installation assistance, call our toll-free number from 8 a.m. - 5 p.m. (C.S.T.)
Mon. - Fri.: 1-800-AIR-VENT (247-8368)

Tools needed for installation

- Hammer
- Utility knife
- Chalk line
- Roofing nails
- Tape measure
- Circular saw

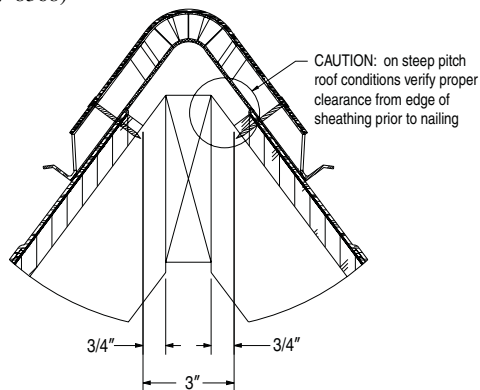


Fig. 2 STEEP PITCH ROOF (16/12)

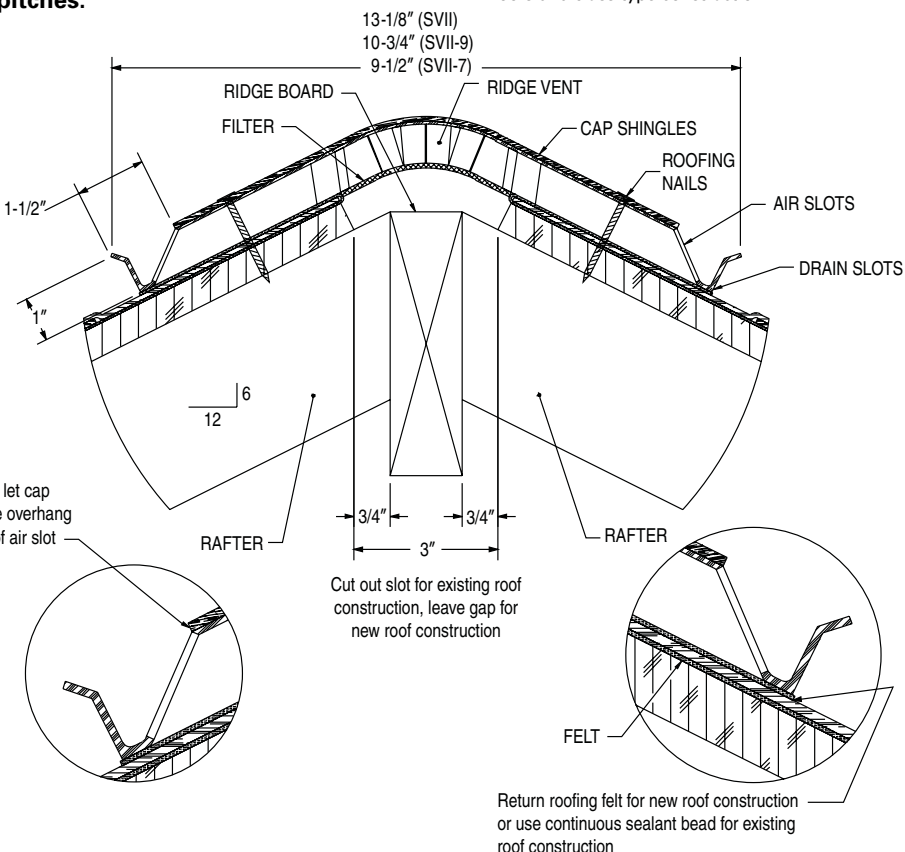


Fig. 1 RIDGE BOARD TYPE CONSTRUCTION

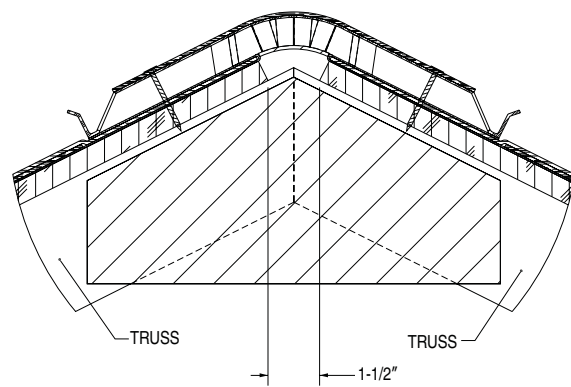


Fig. 3 TRUSS TYPE CONSTRUCTION

LIMITED LIFETIME WARRANTY

Limited, non-prorated and transferable

What and Who is Covered and for How Long

Provided that the ridge vent has been installed in strict accordance with Air Vent Inc.'s (Air Vent) written installation instructions, Air Vent warrants that its ridge vent, ShingleVent II, will be free from manufacturing defects during the lifetime of the original purchaser.

Should any manufacturing defect occur during the lifetime of the original purchaser (and as long as the original purchaser is still living and retains ownership of the property), Air Vent will provide replacement material for that portion of the product deemed to be defective (not including labor costs incurred in removing defective vent or installing replacement product.)

In the event of replacement according to the terms of this warranty, the original warranty shall apply to the replacement material and will extend for the balance of the original warranty period in effect at the time the vent proved defective.

The lifetime coverage by this warranty automatically ends upon the sale of the property or death of the last of the original owners of the property at the time of installation.

The lifetime coverage in this warranty is designed to cover individual homeowners only. In the case of ridge vent purchased by, or installed upon property owned by corporations, governmental agencies, partnerships, trusts, religious organizations, schools, condominiums or cooperative housing arrangements, or installed on apartment buildings or any other type of building or premises not used by individual homeowners as their residences, the warranty period will be 50 years following the installation of the ridge vent.

Replacement Plus™ Protection

Air Vent ridge ventilation products are covered by Replacement Plus™ protection for a period of 5 (five) years, provided that the ridge vent has been installed in strict accordance with Air Vent's written installation instructions. Under this warranty feature, Air Vent, at no charge, will replace any ridge vent found to be defective during the Replacement Plus™ period (the Replacement Plus™ period begins when the ridge vent application is completed). Air Vent's maximum liability under Replacement Plus™ will be equal to the reasonable cost to replace the defective ridge vent, including labor.

In instances in which Air Vent, according to the terms of this warranty, has agreed to pay the cost of labor required to replace a defective ridge vent, Air Vent will provide reimbursement only upon receipt of a copy of the contractor's invoice or other written evidence of the completion of the work which Air Vent, at its sole discretion, deems acceptable.

Transferability

If there is a change in ownership, the warranty may be transferred by the original purchaser of the ridge vent to the new owner under the terms and conditions of this warranty. The warranty will then cover the period of 50 years following the purchase of the ridge vent.

If the warranty is transferred from the original purchaser to a new owner during the 5 (five) year Replacement Plus™ period, the remaining period of Replacement Plus™ will be available to the subsequent property owner. At the end of the Replacement Plus™ period, the warranty will cover 50 years following the purchase of the ridge vent.

Limitations

Air Vent shall not be liable for, and this warranty does not apply to, any failure, defect or damage resulting from or connected with misuse, abuse, neglect or improper handling or storage, or installation not in strict adherence to Air Vent's written instructions; impact or foreign objects, fire, flood, earthquake, lightning, hurricane, hail, tornado or other violent storms or other act of God; or defects in, failure of or damage caused by materials used as a roofing base over which the vent is installed or by movement, distortion, cracking or setting of walls or the foundation of the building.

Air Vent reserves the right to discontinue or modify any of its products, including color, and shall not be liable as a result of such discontinuance or modification, nor shall Air Vent be liable in the event replacement material may vary in color in comparison to the original product as a result of normal weathering. If Air Vent replaces any material under this warranty, it may substitute products designated by Air Vent to be of comparable quality or price range in the event the product initially installed has been discontinued or modified.

Other Considerations

THIS WARRANTY IS EXPRESSLY IN LIEU OF ALL OTHER ORAL OR WRITTEN WARRANTIES, LIABILITIES OR OBLIGATIONS OF AIR VENT. PERTINENT STATE LAW SHALL CONTROL FOR WHAT PERIOD OF TIME SUBSEQUENT TO SALE A CONSUMER HOME OWNER MAY SEEK A REMEDY PURSUANT TO THE IMPLIED WARRANTY OF MERCHANTABILITY OR FITNESS FOR A PARTICULAR PURPOSE. IN NO EVENT SHALL AIR VENT BE LIABLE FOR CONSEQUENTIAL OR INCIDENTAL DAMAGES OF ANY KIND, INCLUDING ANY DAMAGE TO THE BUILDING, ITS CONTENTS OR ANY PERSONS THEREIN, RESULTING FROM THE BREACH OF ANY WARRANTY SET FORTH HEREIN. NO FIELD REPRESENTATIVE OF AIR VENT OR ANY DISTRIBUTOR OR DEALER IS AUTHORIZED TO MAKE ANY CHANGE OR MODIFICATION TO THIS WARRANTY. SOME STATES DO NOT ALLOW LIMITATIONS ON OR THE EXCLUSION OF INCIDENTAL OR CONSEQUENTIAL DAMAGES, SO THE ABOVE EXCLUSIONS MAY NOT APPLY TO YOU.

This warranty gives you specific legal rights, and you may also have other rights that vary from state to state.

What the Customer Must Do

To obtain performance under this warranty, the homeowner/consumer must notify Air Vent in writing of any manufacturing defect promptly following its discovery, and shall submit with such notification proof of date of purchase and vent installation, in order to provide Air Vent an opportunity to investigate the claim and examine the material claimed to be defective. All notifications shall be provided to: Air Vent Inc. 7700 Harker Drive, Peoria, Illinois 61615. Air Vent shall then promptly inspect the claimed defect before the furnishing of any replacement vent is approved, and Air Vent shall, within a reasonable time after approval, provide a replacement vent (or vents) under the terms of the warranty. This warranty is effective on ridge vents applied on or after July 1, 2006.

PLEASE COMPLETE THIS FORM AND RETAIN WITH YOUR IMPORTANT PAPERS

Date installed _____

Installed by _____

Address _____

City _____

State _____ Zip _____

Property owner _____

Property address _____

City _____

State _____ Zip _____



4117 Pinnacle Point Drive, Suite 400
Dallas TX 75211