

CEILING&WALL | SYSTEMS

Between us, ideas become reality™

WOODWORKS® Linear

Armstrong®

WOODWORKS® Linear

Natural Variations™, Constants™, & Bamboo



WoodWorks Linear 8' x 3-3/4" in Constants Maple with a custom stain and Optima® Vector® 4' x 4' on Prelude® XL® grid; Bucyrus International Inc., Oak Creek, WI

Key Selection Attributes

- Define a space with rich, natural wood
- FSC®-certified options available; FSC chain of custody (CoC) certified WoodWorks products represent responsible production and consumption practices from the forest to the consumer
- California Air Resources Board (CARB) compliant
- **NEW** 100% Biobased content certified by USDA BioPreferred™ Products program (preferred for government projects)
- Shorter lead times and lower cost than custom millwork
- Standard wood plank in 2 widths; nominal 4-1/2" and 6" modules, with traditional 3/4" reveals and factory-applied black fleece
- Install in the ceiling, on the wall, or create 90° angled or curved ceiling-to-wall transitions (one-foot minimum radius)
- Create upturns for continuous visuals and clouds with veneer-wrapped WoodWorks Trim (aluminum substrate) available in 9 finishes
- Suspension system and planks from one manufacturer; improved for 30-50% faster installation
- Custom veneers and stain matching available; for details, contact Architectural Specialties at 1 877 ARMSTRONG, select options 1-1-4



WoodWorks Linear Faceted Custom System in Natural Variations Beech; Tim Hortons TDL Group Corp., Oakville, ON

Veneer Selection Due to printing limitations, shade may vary from actual product.

Natural Variations (Real Wood Veneers)



Constants (Real Wood Veneers)



Bamboo (Rapidly Renewable)



** A premium veneer option managed through Architectural Specialties due to the potential for significant color variation panel to panel. Minimum order quantity and extended lead time may apply.

On the cover: WoodWorks Linear FSC-certified 8' x 3-3/4" in Natural Variations Light Cherry
University of Texas at Dallas – Student Services Building, Dallas, TX

You can also create beautiful curved looks with faceted grid. Due to its non-standard suspension system, these S-Service items are ordered through Architectural Specialties at 1 877 ARMSTRONG, select options 1-1-4.

LEED® Credits

Energy	Waste Mgmt	Recycled Content	Local Materials	Renewable Materials	Certified Wood*	Low Emitting*
✓	✓	✓	✓	✓	✓	✓
Location Dependent				*Options Available		

LEED for Schools

Acoustics	Low Emitting or CHPS
✓	✓

Colors

NV Beech (NBE)	NV Dark Cherry (NDC)	Constants Walnut (CWA)
NV Maple (NMP)	Constants Maple (CMA)	Bamboo Patina (BAP)
NV Light Cherry (NLC)	Constants Cherry (CCY)	Bamboo Native (BAN)

Visual Selection

Performance Selection Dots represent highest level of performance

Edge Profile	Item Number *	Dimensions	Acoustics NRC	Fire Rating
WOODWORKS Linear – Nominal 4-1/2" Module				
	6440W1_ _ _	8' x 3-3/4" x 3/4" with 3/4" reveal	0.50 0.65**	Class A
	6640W1_ _ _ (FSC®-certified)	8' x 3-3/4" x 3/4" with 3/4" reveal	0.50 0.65**	Class A
WOODWORKS Linear – Nominal 6" Module				
	6460W1_ _ _	8' x 5-1/4" x 3/4" with 3/4" reveal	0.40 0.50**	Class A
	6660W1_ _ _ (FSC-certified)	8' x 5-1/4" x 3/4" with 3/4" reveal	0.40 0.50**	Class A

* When specifying or ordering, please include the appropriate three-letter color suffix (e.g., 6460W1 **N M P**)

** Adding acoustical infill (item 8200100, 5479, or 5823) for 4-1/2" module increases the NRC to 0.65. Adding acoustical fiberglass infill for 6" module increases the NRC to 0.50.

Suspension System

Item Number	Description	Dimensions	Pieces/Carton
5370	12' HD Linear Carriers (concealed) with integral clips (factory-applied) for nominal 4-1/2" modules	12' x 15/16" x 1-11/16"	10 (Approx. 240 SF/ctn installed with planks)
5371	12' HD Linear Carriers (concealed) with integral clips (factory-applied) for nominal 6" modules	12' x 15/16" x 1-11/16"	10 (Approx. 240 SF/ctn installed with planks)

Note: For radiused applications, use standard panels and HD Linear Carriers faceted 12" on center with RC2BL clips.

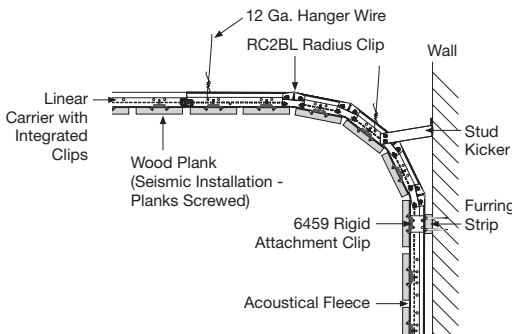
Ceiling-to-Wall Transitions



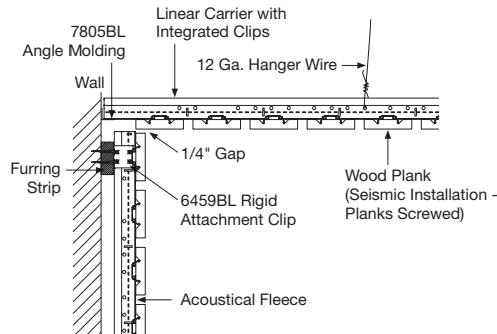
WoodWorks Linear 8' x 3-3/4" in Natural Variations Light Cherry; Ceiling-to-Wall Faceted Transition



WoodWorks Linear 8' x 3-3/4" in Natural Variations Light Cherry; Ceiling-to-Wall 90° Angle Transition



Faceted Ceiling-to-Wall System Assembly



90° Ceiling-to-Wall System Assembly

WOODWORKS® Linear

Natural Variations™, Constants™, & Bamboo

Colors

NV Beech (NBE)	NV Dark Cherry (NDC)	Constants Walnut (CWA)
NV Maple (NMP)	Constants Maple (CMA)	Bamboo Patina (BAP)
NV Light Cherry (NLC)	Constants Cherry (CCY)	Bamboo Native (BAN)

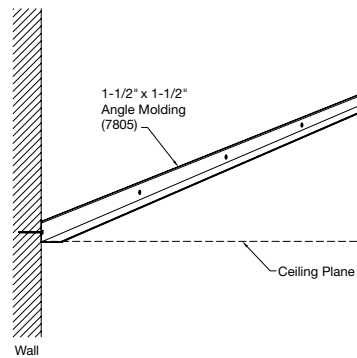
Accessories

Item Number	Description	Dimensions	Pieces/Carton
5843	Linear Wood Panel Splice	—	100
5659W1 _ _ _ *	4" WoodWorks Trim (with aluminum substrate)	4" x 10'	6
5660W1 _ _ _ *	6" WoodWorks Trim (with aluminum substrate)	6" x 10'	6
5948	Linear and Channeled Trim Connector Clip	N/A	30
RC2BL	Radius Clip for faceted grid applications (Black)	—	205 pcs/bucket
7805BL**	10' Angle Molding (Tech Black)	10' x 1-1/2" x 1-1/2"	30
7823BL**	10' Shadow Molding (Tech Black)	10' x 2" x 1-1/4" x 3/4"	10
FXSPLICE	Splice Plate with Set Screws for Trim	N/A	10
6408 _ _ _ *	3/4" Edge Banding (factory-applied available upon request)	3/4" x 25'	25 foot roll
6459BL	Rigid Attachment Clip (Black)	5-1/2" x 1-3/4"	25
92715A620	Self-tapping Screws (Black)	#2 x 3/4" Length	25
7891	12 Gauge Hanger Wire	12' Length	140
8200100	Fiberglass Infill Bag (Black - Gloss)	2' x 2' x 1'	12
5479	BioAcoustic™ Infill Panel (Beige - Matte)	2' x 2' x 5/8"	12
5823	BioAcoustic Infill Panel (Black - Matte)	2' x 2' x 5/8"	12

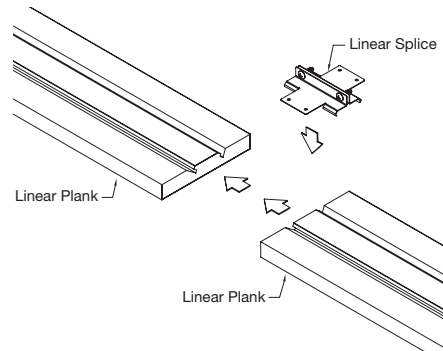
* When specifying or ordering, include the appropriate three-letter color suffix that coordinates with your WoodWorks ceiling (e.g., 5659W1 B A P)

** This color is a special order item with these moldings.

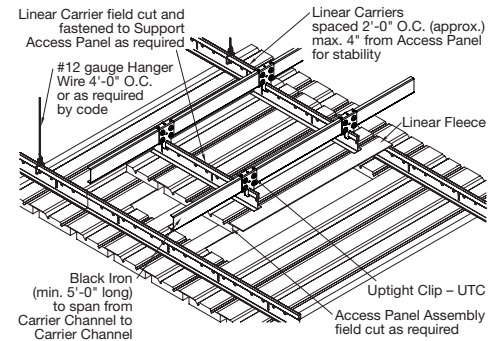
Accessory Details



Angle Molding (Item 7805BL) Detail



Linear Splice (Item FXSPLICE) Detail



Access Panel Assembly

Physical Data

Material

Fire retardant particle board with face-cut veneers. FSC-certified fire retardant particle board with face-cut veneers (SW-COC-3601). For more information about FSC-certified products or to view our FSC certification letter, visit armstrong.com/woodworksfsc. Factory-applied black fleece on each plank to cover the reveal.

Surface Finish

Clear or tinted semigloss coating

Fire Performance

ASTM E84 surface burning characteristics, HPVA Certified with audit program per ASTM E84. Flame Spread Index 25 or less. Smoke Developed Index 50 or less.

CAN/ULC S102 surface burning characteristics. Flame Spread Rating 25 or less. Smoke Developed Classification 50 or less.

Linear wood, as with other architectural features located at the ceiling, may obstruct or skew the

planned fire sprinkler water distribution pattern, or possibly delay or accelerate the activation of the sprinkler or fire detection systems by channeling heat from a fire either toward or away from the device. Designers and installers are advised to consult a fire protection engineer, NFPA 13, and local codes for guidance where automatic fire detection and suppression systems are present.

ASTM E1264 Classification

Composite – Fire Class A

Seismic Restraint

Linear wood has been engineered, tested, and approved in all seismic areas.

Application Considerations

Variation among panels may occur due to the natural characteristics of the wood and grain.

It is very important that WoodWorks planks be climatized prior to installation. Relative humidity between 25% and 55% and temperatures between 50°F and 86°F must be maintained.

Installation Considerations

Installation can use staggered, random joints for a monolithic appearance or consistent lengths for a modular style. For expansion, a 3/4" gap is recommended at every 24 foot run of plank. See installation instructions LA-297443 at armstrong.com/installation.

Specification Consideration

Attention: For FSC-certified wood products to maintain their CoC certification, products must be sold to a CoC-certified distributor or directly to the installing contractor. Failure to do so breaks the CoC.

Warranty

One (1) year limited warranty. Details: armstrong.com/warranty

Weight/Square Feet

6440, 6640 – 2.88 lbs/SF
6460, 6660 – 2.89 lbs/SF
(Bulk packaged)