



## DATA SHEET

### PRODUCT INFORMATION

WeatherMaster® Granular SE is designed for ice and water protection under any roofing material for maximum protection. This composite underlayment is self-adhering and reinforced with a fiberglass mat.

### WEATHERMASTER® GRANULAR SE

WeatherMaster® Granular SE helps protect the entire deck of a properly ventilated roof, especially problem areas where water collects or drainage is slow. It provides a secondary layer of waterproofing protection to help prevent damage from ice dams and wind-driven rain.

The surface of opaque granules provides excellent traction and protection from UV degradation and weathering. This self-adhering modified bitumen underlayment creates a watertight barrier by sealing to the deck and around nails to provide continuous protection year after year.

WeatherMaster® Granular SE underlayment composite is 55 mils (1.3mm) thick and is supplied in a two square (36" x 72") (0.9m x 21.9m) roll. WeatherMaster® Granular SE Underlayment is self-adhesive and cold-applied. No special adhesives, heat, or equipment are necessary to install WeatherMaster® Granular SE underlayment under normal dry conditions of 45°F or warmer.

### FEATURES:

- UV Protected Surface – 45 Day Exposure
- High Temperature Stability – 240°F
- Self-Adhesive Backing Seals Directly To The Deck
- 55 Mil Thick, 38% Above Industry Requirement
- Dual Modified Asphalt Provides Superior Granular Adhesion
- Increased Granule Adhesion For Better Traction
- Fiberglass Mat Provides Better Tear Resistance Than Saturated Felt

### CODES & COMPLIANCES

- Underwriters Laboratories Class A And Class C Fire Rating – Based On Roof Covering
- ASTM D1970 Standard Ice Dam Underlayment
- Florida Building Code Approved - FL 17322
- Miami-Dade County Product Control Approved, Miami-Dade County, Florida.
- Atlas Signature Select® - System Component



### TECHNICAL DATA

| Property                               | Test Method | Minimum Value  |
|--|-------------|--|
| ASTM D1970                             | All         | Pass   |
| Water Vapor Transmission               | ASTM E96    | 0.019 g/hr/sq.m. (max)                                 |
| Pliability, 14°F (-10°C), 1/8 90° Bend | ASTM D146   | Pass   |
| Peel Adhesion                          | ASTM C794   | Pass   |
| Thermal Stability SAG-200°F (93°C)     | ASTM C1970  | Pass   |
| Mil Thickness                          | N/A         | 55 mil   |
| Size-2 Square Roll                     | 36" x 72'   | 2 SQ. Roll Provides Approximately 200 Sq. Ft. Coverage |

### BENEFITS:

- 2x More Adhesion Than Industry Standard.
- Provides Secondary Water Barrier.
- Extra Roofing Protection For Vulnerable Areas. Use For Valleys, Eaves, Flashings, Hips, Ridges And Rakes, And Around Dormers And Skylights.
- Can Be Used In New Construction Or In Reroofing Requiring A Complete Tear-Off.
- Provides Extra Protection Under Any Type Of Roofing: Tile, Wood Shake, Asphalt, Slate Or Metal.
- Complies With Local Codes Where Required.
- May Be Left On Deck And Recovered When Reroofed.



# DATA SHEET

## GENERAL INSTRUCTIONS

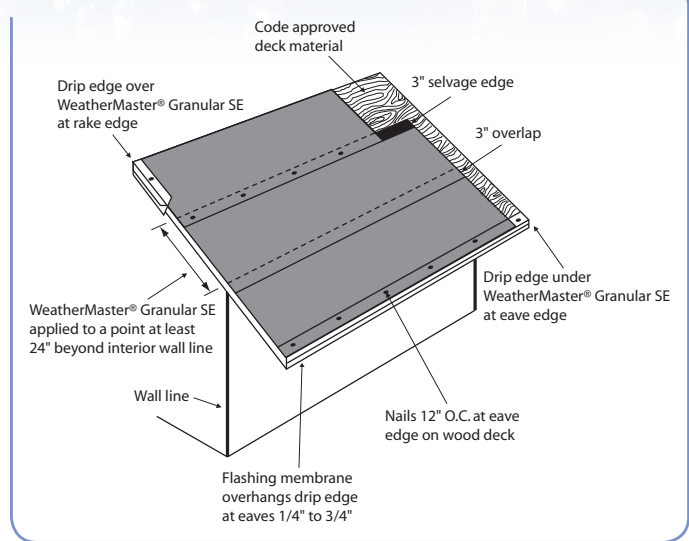
**For Roof Decks (Rakes and Eaves):** WeatherMaster® Granular SE underlayment shall be applied to dry surfaces during fair, dry weather when air temperatures are above 45°F. In temperatures below 45°F, deck surfaces will need to be primed prior to application. Before getting started, be sure the roof deck is free of dust, dirt, loose nails, and any other protrusions. Remove all shingles, roofing felt, and nails from deck of existing roofs.

Begin by cutting WeatherMaster® Granular SE underlayment into 10 to 15 foot lengths and re-roll for wrinkle-free application. Apply sheet parallel to the roof edge, extending 1/4" to 3/4" over drip edge. Use the peel-off selvage edge to set horizontal top overlap at 3" so that laps will shed water. For ice dam protection, underlayment must be applied to a point at least 24" beyond interior wall line or above the expected level of ice dams.

Peel back 1 to 2 feet of release paper. Before peeling further, align the sheet on the lower edge of the roof and adhere the areas you have peeled. Pull the release paper from under the sheet and slowly continue to peel, pressing the sheet into place as you go. Use a hand roller to firmly roll lower edges. End laps should be overlapped 6" and staggered. On steep slope applications it may be necessary to spot nail the top edge of the membrane temporarily during the installation process.

**For Valleys and Ridges:** Begin by cutting WeatherMaster® Granular SE underlayment into 4 to 6 foot lengths. Peel the release paper and center sheet over valley or ridge. Drape and press sheet into place, working from the center of the valley or ridge in each direction. For valleys, apply the sheet starting at the lowest point and work upward. Horizontal overlaps must be at least 6" in valleys.

## WEATHERMASTER® GRANULAR SE FIELD APPLICATION



## SAFETY, STORAGE, AND HANDLING

Pallets of WeatherMaster® Granular SE should not be double stacked. Provide a weather cover on top and sides to allow for proper ventilation.

## CAUTION

Always learn and observe safe roofing practices according to OSHA and local building code requirements. Always use caution when walking on sloped roof decks and WeatherMaster® Granular SE underlayments. Do not walk on unsecured underlayment or any other loose roofing material lying on sloped roof decks. Dust, dew, water, or debris creates unsafe conditions on the roof. The presence of any foreign matter may drastically change the coefficient of friction (traction) on WeatherMaster® Granular SE or any other material on a sloped roof deck. Failure to always use proper safety equipment and footwear can result in serious injury or even death.

**CORPORATE SALES & MARKETING**  
2000 RiverEdge Parkway, Suite 800  
Atlanta, Georgia 30328

[AtlasRoofing.com](http://AtlasRoofing.com)

### SALES OFFICES

**Ardmore, OK**  
(800) 261-2852  
FAX (580) 223-6894

**Daingerfield, TX**  
(800) 270-2852  
FAX (903) 645-2291

**Franklin, OH**  
(800) 260-2852  
FAX (937) 746-6040

**Hampton, GA**  
(800) 251-2852  
FAX (770) 946-5249

**Meridian, MS**  
(800) 933-2721  
FAX (601) 696-2018



Made in U.S.A.



Atlas offers homeowners increased coverage of their Premium Protection Period on any Atlas Signature Select® Roofing System. This product qualifies for use in the Atlas Signature Select® Roofing System when used in combination with other qualifying Atlas products. For more information please visit: [www.AtlasRoofing.com/Pro](http://www.AtlasRoofing.com/Pro)