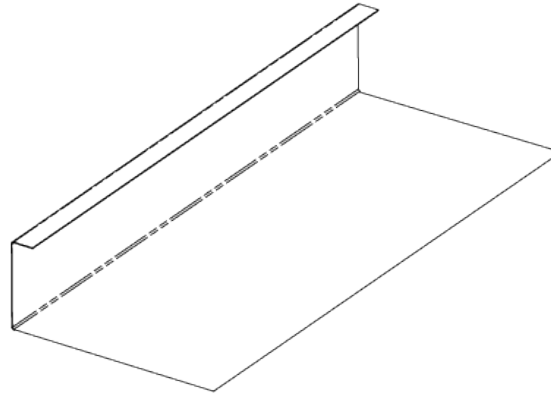




"J" METAL



CROSS SECTION



ACTUAL LENGTH NOT SHOWN

ASTM's and Code Standards

- ASTM A653
- ASTM A924
- ASTM C841 (Installation)
- ASTM C847
- 2007 CBC
- 2006 IBC

CEMCO's "J" Metal products are manufactured in various grounds (depths) to be used with a variety of polystyrene or foam insulation boards for exterior purposes. "J" Metal also provides for a workable screed around doors and windows. CEMCO's "J" Metal can also be ordered with holes and be used in some applications as a weep screed.

Packaging

Gauge	Ground	Flange Size	Wt./Mlf.	Pcs./Bdl..	Bdl./Pallet
26	7/8"	7/8" S.F.	161 lbs.	10	50
26	1-3/8"	1 3/4" S.F.	208 lbs.	10	50
26	3/8"	3-1/2" L.F.	238 lbs.	10	50
26	1/2"	3-1/2" L.F.	245 lbs.	10	50
26	3/4"	3-1/2" L.F.	267 lbs.	10	50
26	7/8"	3-1/2" L.F.	281 lbs.	10	50
26	1-3/8"	3-1/2" L.F.	316 lbs.	10	50

LEED Points and Recycled Content

By using CEMCO metal lath products, your project can contribute to earning LEED points for:

- LEED MR 2.1 and 2.2: Construction Waste Management: Up to 2 points.
- LEED MR 4.1 and 4.2: Recycled Content: Up to 2 points.
- LEED MR 5.1 & 5.2: Regional Materials

CEMCO metal lath products contain 30% to 35% recycled steel. These products are produced from steel consisting of the following contents:

- Total Recycled Content: 32.7%
- Post-Consumer: 25.5%
- Pre-Consumer: 6.8%



Technical Services

For more technical information about this and other CEMCO products, contact Technical Services at 800.416.2278

Project Information

Name: _____
 Project: _____

Contractor Information

Name: _____
 Contact: _____
 Phn: _____ FAX: _____

Architect Information

Name: _____
 Contact: _____
 Phn: _____ FAX: _____