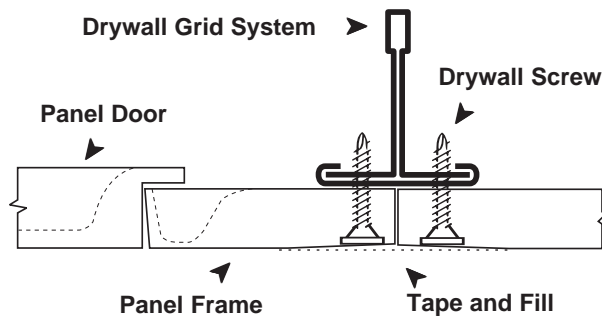
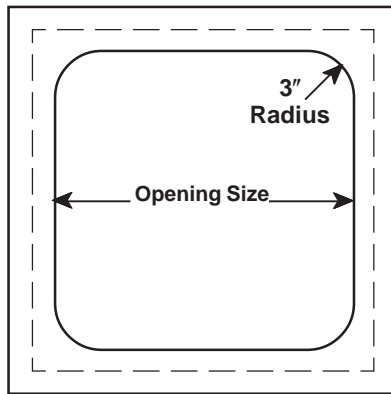


Glass Reinforced Gypsum Drywall Ceiling Access Doors

- Installs and finishes in the same manner as drywall.
- Simply provide framing support for the exterior edges of the panel.
- Attaches with drywall screws.
- Taping and finishing is the same as conventional drywall finishing techniques.



Access Door in place . . .



. . . and partially removed

Product Number	Opening Size	Per Carton	
		Pieces	Weight
GRG Drywall Access Doors*			
8501.00	9" x 9"	1*	5
8502.00	12" x 12"	1*	7
8503.00	18" x 18"	1*	9
8504.00	24" x 24"	1*	16
8505.00	30" x 30"	1*	22

* Includes Door and Frame.

Technical Requirements:

1. Size Requirements

Panels are defined by the opening size. Rough opening dimensions are an additional 6" added onto the opening size. Standard access panels are push-out type. Custom sizes are available.

2. Fasteners and Attachments

Panels are installed with standard supplies; screws are #6 bugleheads and joints use standard tape and joint compound. The panel has an edge thickness to accommodate $\frac{5}{8}$ " drywall, so shimming may be required if adjacent material is not $\frac{5}{8}$ " drywall.

3. Finishing (by installer)

Use same method as drywall.

4. Framing, Studs or Blocking

Substrate material is determined by job site conditions. The panel does not require regular framing, but can be connected to adjacent drywall using blocks or studs. The weight of the panel is 2 lbs./sq. ft.

5. Physical Properties

Shell Thickness: $\frac{1}{8}$ " to $\frac{3}{16}$ "

Fuel Contribution (ASTM E84-80): 0

Flame Spread (ASTM E84-80): 0

Smoke Index (ASTM E84-80): 0

Combustion (ASTM E-84-80): Non-Combustible



Ceiling Systems and Specialty Products - USA and Canada: 800-323-7164 / Fax: 800-222-3744 / www.chicagometallic.com

CHICAGO / BALTIMORE / LOS ANGELES / BELGIUM / DENMARK / THE NETHERLANDS / UK / GERMANY / FRANCE / HONG KONG / PRC / MALAYSIA / UNITED ARAB EMIRATES / MEXICO

Chicago Metallic and its logo are Registered Trademarks of Chicago Metallic Corporation.
© 2003 Chicago Metallic Corporation All Rights Reserved Printed in USA