



1/2" FourEight Cottage Lap® Siding

1/2" Cottage Lap® Siding

COTTAGE LAP® SIDING

TRUWOOD COTTAGE LAP®, FOUR EIGHT AND TWELVEFOUR SIDING

FEATURES/BENEFITS

Pre-primed for improved weatherability: TruWood Siding is primed to provide a consistent surface ready to accept paint. TruWood's industry leading coating technology ensures uniformly primed boards for added weather protection while providing an excellent surface for exterior topcoats.

16' lengths: Cut for optimal versatility, the 16' lengths result in less cutting and less waste. The 1/2" thickness produces a solid panel.

Choice of Self-Aligning profile: The self-aligning feature makes it much easier to install. It goes up fast, saving labor costs. It's available in 12" or 16" wide lap for coverage efficiency.

Best protective packaging available: TruWood protects your investment with premium packaging that reduces damage and provides for easy handling.

Trained field representatives: TruWood reps provide technical support and jobsite application training.

Large style selection: TruWood Lap Siding is available in Old Mill® textured cedar surface and your choice of 4", 5" and 8" groove patterns, giving you many design and style options for a variety of architectural effects.

Complete line of accessories: Lap joint connectors and corners are available for all your project needs.

30-year limited warranty: TruWood Siding offers the best warranty in the industry and it's fully transferable. See complete warranty for details.

Availability: Field inventories are available through a convenient local distribution network to ensure siding is delivered where and when you need it.

Trim: Use matching reversible TruWood Trim to finish around windows, doors and corners.

Fast installation: This easy to install lap siding applies up to 60% faster than cement or vinyl sidings.

Green matters:

- Recycled content is 3rd party certified by Scientific Certification Systems (SCS)
- No UF resin
- Maximum fiber utilization and recovery
- TruWood Sidings available with FSC certification

TruWood® SIDING

DESCRIPTION

TruWood Siding is available in more than 60 styles. With its distinctive, elegant style, TruWood 1/2" Cottage Lap® Siding is one of our most popular patterns. TruWood set a new industry standard for value by combining competitive prices and high quality. Our expert craftsmanship and proven performance make TruWood Siding an excellent choice for today's quality and value-conscious builders.

First impressions always matter. And the 1/2" FourEight Cottage Lap® pattern delivers the look of alternate widths of 4" and 8" lap siding, with the labor-saving advantage of a 12" wide board. It is easy to install with standard woodworking tools and quick to nail. Our Old Mill® textured surface pattern is engineered to provide a highly paintable surface for the look of cedar without checks or cracks that can detract from the appearance of your project.

Our new TwelveFour siding offers a unique wide/narrow profile. It offers a hand-styled Craftsman appearance, with self-aligning feature for speedy applications. Available FSC Certified, TwelveFour siding also offers a stacked joint option that reduces homeowner maintenance.

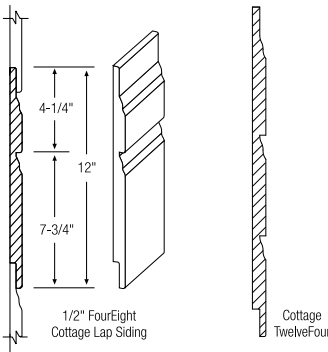
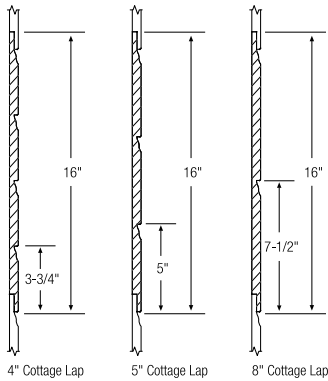
USES

TruWood Siding is designed for use in residential single-family and multi-family housing and adds style to remodeling and light commercial projects. Whether you are a professional builder or a do-it-yourselfer, TruWood Siding delivers style and impact to all your outside building projects.

**TRUWOOD
COTTAGE LAP,[®] FOUR EIGHT
AND TWELVEFOUR SIDING**

**TruWood[®]
SIDING**

**FOR COMPLETE INSTALLATION INSTRUCTIONS,
MAINTENANCE AND WARRANTY INFORMATION,
GO TO WWW.COLLINSWOOD.COM**



Manufactured by
COLLINS PRODUCTS LLC
TRUWOOD SIDING & TRIM
6410 Hwy 66
Klamath Falls, OR 97601

Sales: **800.417.3674**
Warranty: **800.329.1219**
www.CollinsWood.com



Specifications:

TruWood Siding meets the requirements of the following codes and standards:
2006 International Residential Code (IRC)
International Building Code
Federal Manufactured Housing Standards
ICC ESR-2588
American National Standard ANSI-CPA 135.6 and other applicable codes and standards
California Wildland-Urban Interface (WUI) – must follow special WUI requirements

 Member of The Composite Panel Association

Fire rating = Class C, R Value = 0.67 (hour) (Sq. Ft.) (Fahrenheit) per BTU

1/2" Lap Siding = 202 Shear Value

The approximate weight: 1/2" Lap Siding = 1,942 lbs./MSF

TruWood Lap Siding is shipped 10-11 units per truckload or 40 units per railcar

Lap Size	Pc/ Unit	Pc/ Bundle	Bundles/ Unit	Sq. Ft./ Unit	Maximum Exposure in inches	Approx. Coverage Sq. Ft./ Unit	Sq. Ft. Needed To Cover 1,000 Sq. Ft. of Wall Area*	Approx. Weight Lbs./Unit
1/2" x 12" x 16'	140	5	28	2,240	11	1,951	1,145	4,250
1/2" x 16" x 16'	105	5	21	2,240	15	1,995	1,120	4,300

*Allows for a 1" overlap and assumes a 5% waste factor.

Selection

Lap Size	Surface Texture
1/2" x 12" x 16'	Old Mill [®]
1/2" x 16" x 16'	Old Mill [®]

Service

For more information on this, or other TruWood products, go to CollinsWood.com or please contact your nearest TruWood distributor. For locations, call **1.800.417.3674**.

Or write:
Collins Products LLC
TruWood Siding & Trim
6410 Hwy 66
Klamath Falls, Oregon 97601