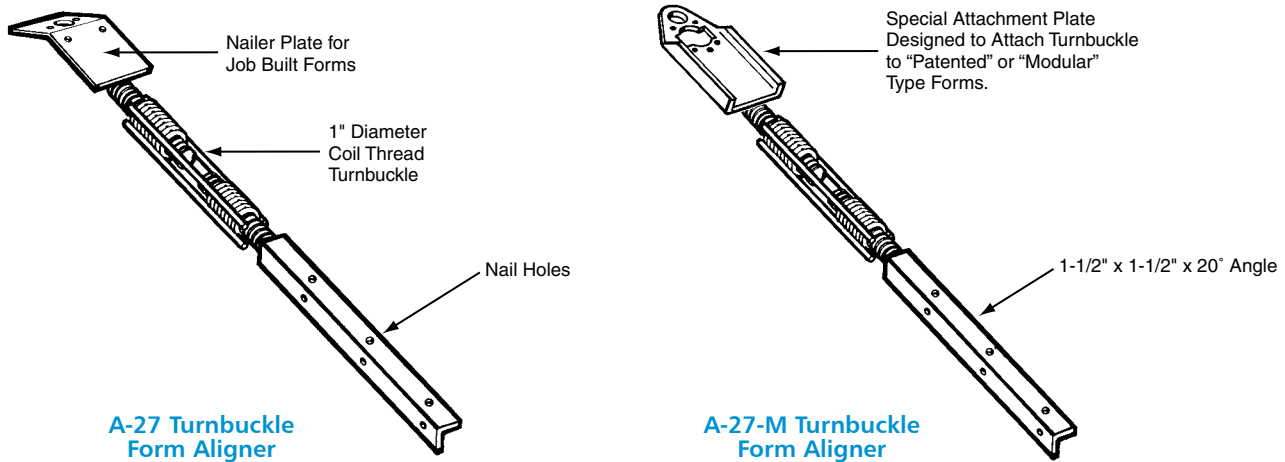
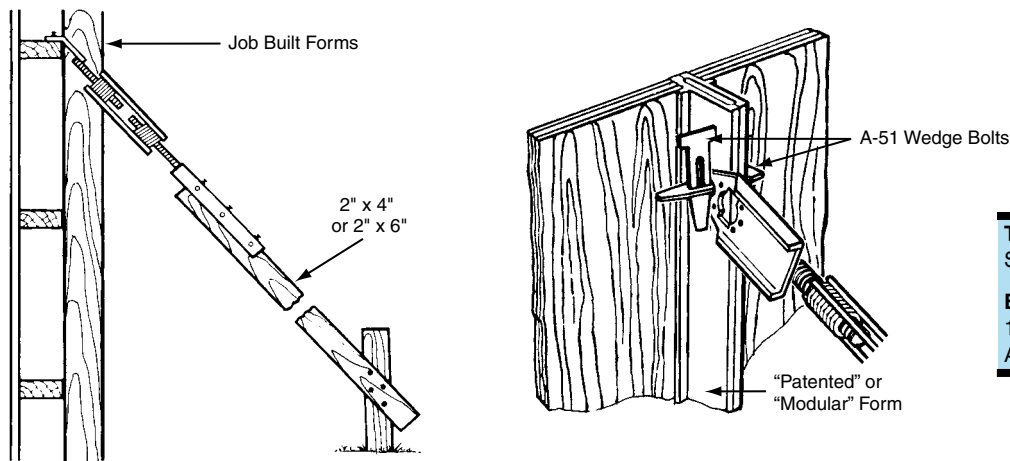


A-27 and A-27-M Turnbuckle Form Aligners



Dayton Superior A-27 and A-27-M Turnbuckle Form Aligners are designed to accurately position and plumb vertical forms. The turnbuckle section of the aligner features a 1" diameter self-cleaning coil thread for fast adjustments. Overall length of the aligner is 37" minimum and 40" maximum, offering 3" of effective adjustment.

The A-27 aligner has bent nailing plate equipped with nail holes and a 15/16" hole to accept 3/4" or 7/8" steel stakes. The A-27-M aligner has a special attachment plate that allows direct attachment to modular type forms. Both models are rugged units that offer high reuse and labor savings. The safe working load of the aligners is limited by the lumber, nailing and/or staking methods.



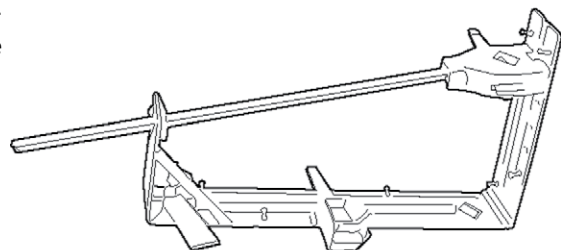
To Order:
Specify: (1) quantity, (2) name.

Example:
116 pcs.
A-27 Turnbuckle Form Aligner.

A-28 Adjustable Kicker

The Adjustable Kicker is the only steel brace that attaches to wood or steel forms and can be used on dirt, wood, or concrete surfaces. The quick adjustability allows for a faster, straighter wall line with zero waste. With three standard sizes - 8", 12", 16" and custom sizes available, it can withstand up to a two foot pour. When the job is completed, it detaches and folds down for the next application.

With an available bracket, the Adjustable Kicker quickly attaches to Steel-Ply and curb forms.



To Order: Specify: (1) quantity, (2) name.

Example: 116 pcs., A-28 Adjustable Kicker

A-28 Adjustable Kicker
Patent #5817247