



EXCEPTIONAL[®] *Metals*

A Division of Duro-Last[®] Roofing, Inc.



ONE SYSTEM. ONE WAR

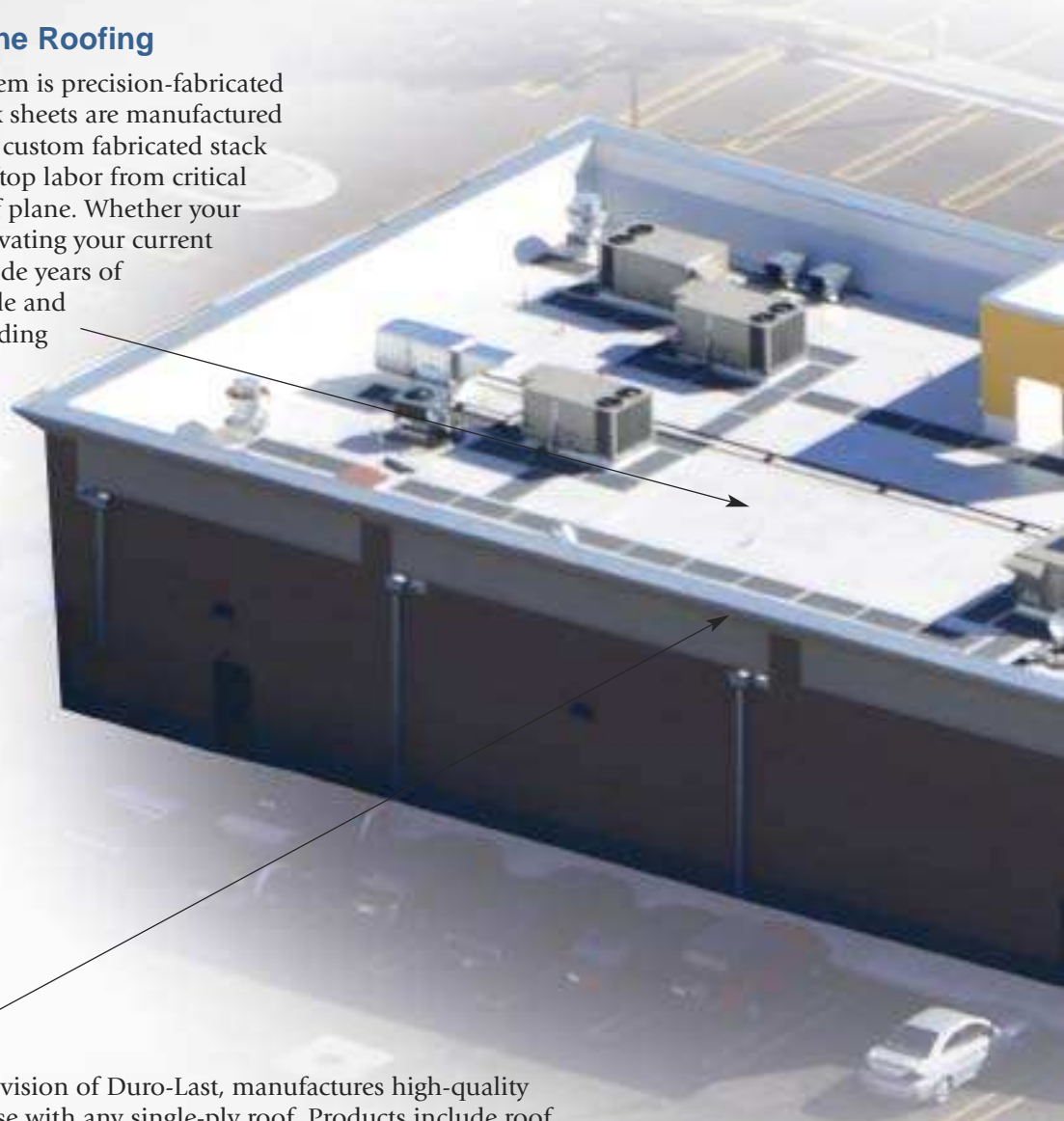


Duro-Last® is unique in the roofing industry in that we are a one-source supplier of roofing materials for both flat-sloped and steep-sloped applications.

Three unique, industry-leading product lines;
one roofing system provider: Duro-Last.

Precision-Fabricated Membrane Roofing

The Duro-Last single-ply roofing system is precision-fabricated to fit your building's dimensions. Deck sheets are manufactured in sections up to 2500 square feet, and custom fabricated stack and curb flashings eliminate most rooftop labor from critical roof areas – transitions and changes of plane. Whether your plans call for new construction or renovating your current facility, a new Duro-Last roof will provide years of leak-proof protection. Extremely durable and easily installed without disrupting building operations, the Duro-Last system is also energy-efficient, resistant to chemicals, fire and high winds, and virtually maintenance-free.



Metal Edge Detail

EXCEPTIONAL® Metals, a division of Duro-Last, manufactures high-quality metal products designed for use with any single-ply roof. Products include roof accessories, metal edge details, drainage systems, scuppers, collector boxes, pitch pans, and other custom fabricated products. EXCEPTIONAL Metals products that are made from vinyl-coated metal enable authorized Duro-Last contractors to provide a secure, watertight bond between that metal product and the roof deck or parapet wall membrane. Roofing installations that include single-ply products from Duro-Last and components from EXCEPTIONAL Metals are protected by a comprehensive edge-to-edge warranty.

WARRANTY. ONE COMPANY.

Duro-Last and EXCEPTIONAL Metals offer roofing materials manufactured for unsurpassed protection, durability, and efficiency, and backed by the best warranties in the industry.

Standing Seam

With five profiles and more than 30 metal colors and finishes, Duro-Last's **standing seam roofing** options, produced by EXCEPTIONAL Metals, will enhance the appearance of any sloped roof design. Profiles are available for architectural, structural, wall and soffit panel applications.

A Single Source For the Best Warranties in the Roofing Industry

Duro-Last warranties come straight from the company that has manufactured over a billion and a half square feet of roofing membrane since 1978. Duro-Last can protect commercial buildings with a comprehensive 15-year No Dollar Limit (NDL) warranty that clearly states our coverage of consequential damages. Duro-Last also has other warranties available including:

- Residential
- Material Only
- NDL
- Hail, High Wind, and Hail and High Wind

Paint and substrate warranties are also standard on our standing seam metal product line.

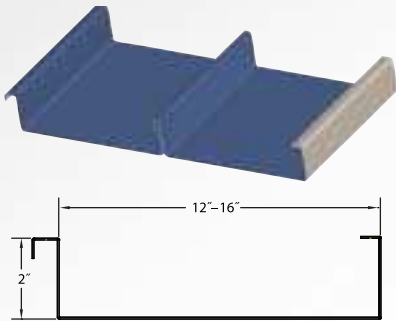
Visit www.duro-last.com for a complete list of available warranties.

STANDING SEAM

EXCEPTIONAL Metals offers several standing seam panels in a variety of colors to meet your roofing needs.

These panels can help contribute to LEED credits, are ENERGY STAR® rated, manufactured with 20% (minimum) post-consumer material, and have received numerous product approvals and passed multiple testing requirements for fire, wind, and weatherability.

All standing seam panels have a 35-year paint and materials warranty; up to a 20-year NDL (No Dollar Limit) weathertight warranty is available. Duro-Last provides an edge-to-edge, deck-to-sky systems warranty that combines single-ply membrane, standing seam panels, and edge metal.

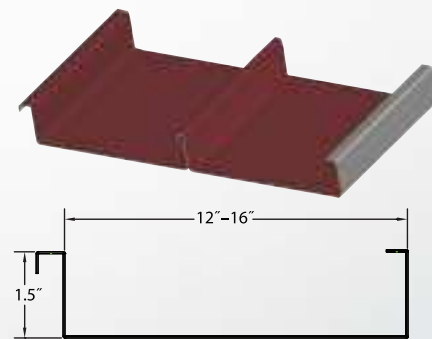


This unique 2" panel can be installed over solid deck substrates or open framed structural steel, making it both architectural and structural in design performance. The versatility of this profile allows it to be used in both low and steep slope applications. These panels are available in 12-16" widths, with or without stiffening ribs or striations.

EM 200S Mechanical Seam

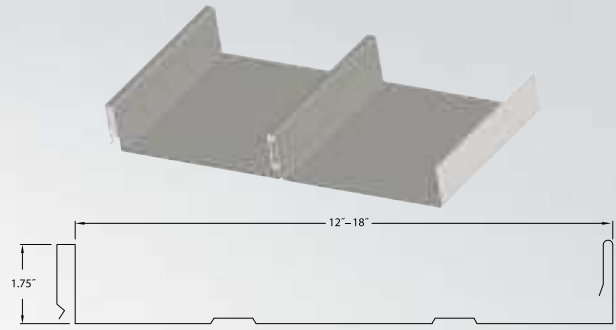


EM 150SS Mechanical Seam

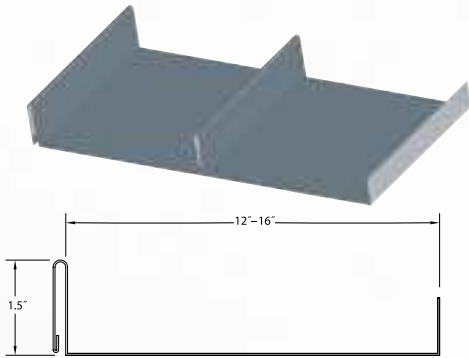


This 1½" traditional mechanically seamed panel enhances the architectural appearance of either a radius roof or a traditional application designed to be installed over a solid deck substrate for architectural performance. These panels are available in 12-16" widths, with or without stiffening ribs or striations.

EM 175S Snap Seam



This 1¾" snap seam panel is designed to work as a roof panel or vertical wall panel in installations with a slope of at least 2:12. It can be installed over a solid deck substrate or open framed structural steel in both architectural and structural applications. The panel offers an excellent "compression seam" that withstands high winds and elements found in coastal regions. These panels are available in 12-18" widths, with or without stiffening ribs or striations.

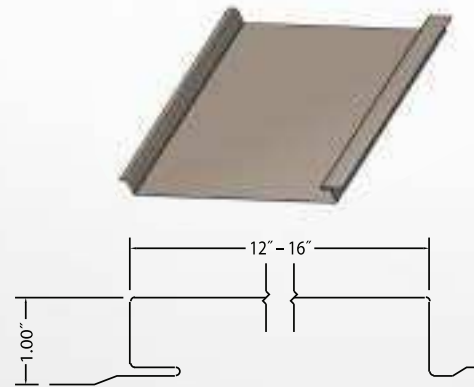


The 1½" snap lock panel can be used as a roofing, mansard, canopy, or wall panel in installations with a slope of at least 3:12. The unique locking mechanism offers fast installation over a variety of solid deck substrates. These panels are available in 12-16" widths, with or without stiffening ribs or striations.

EM 150SL Snap Lock



Flush Wall/Soffit Panel

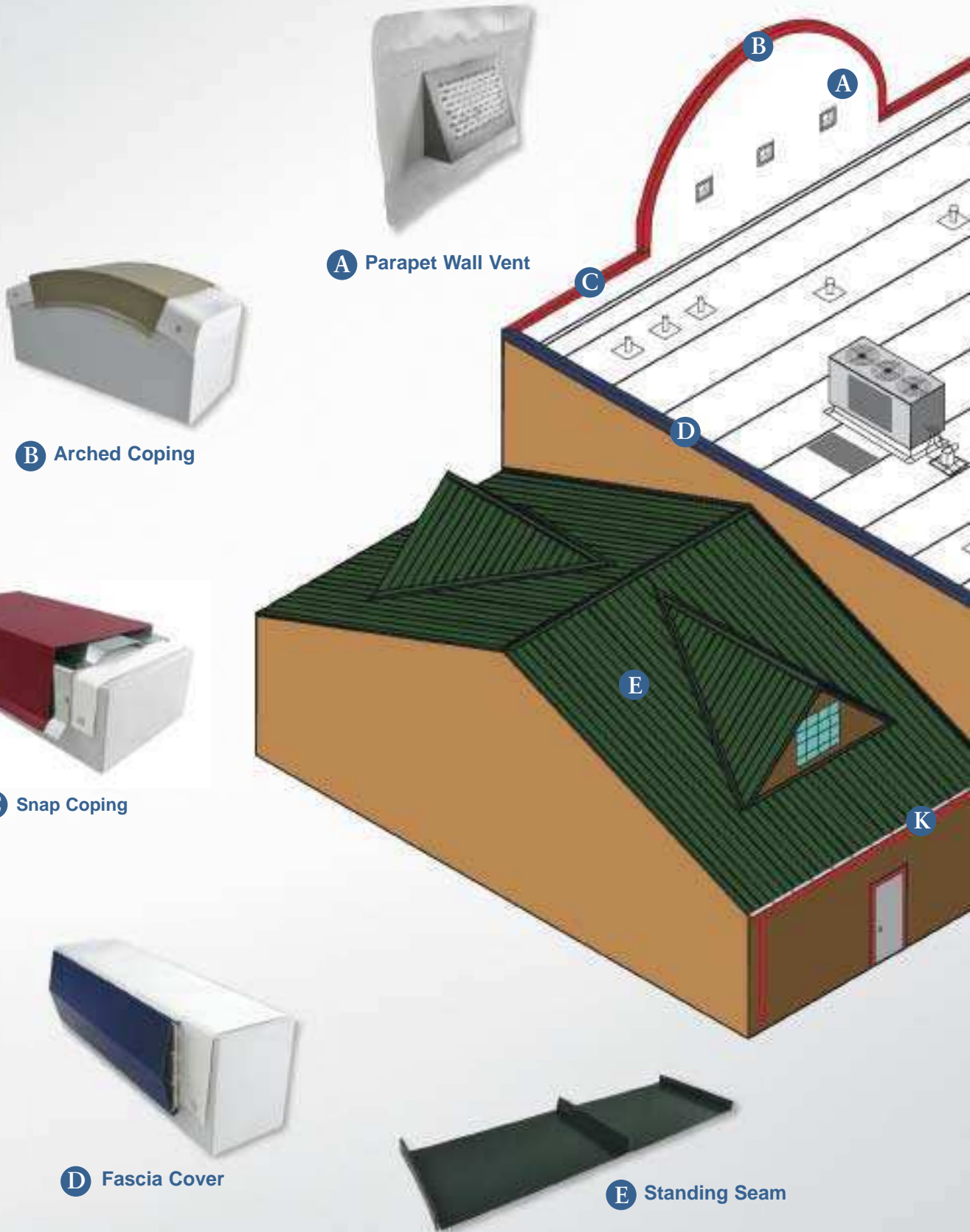


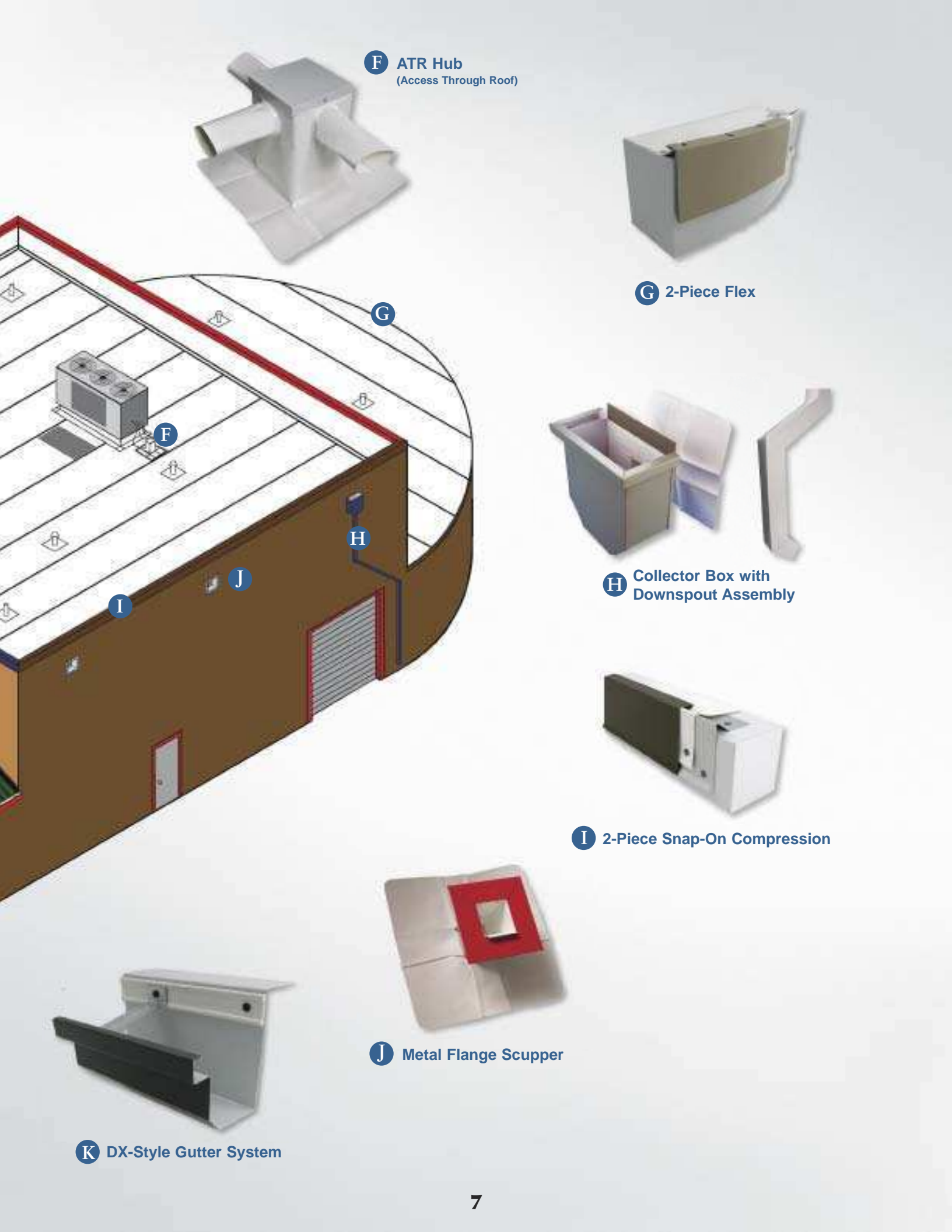
Our flush wall panel system offers a smooth, flat wall look without exposed fasteners. The standard panel is 12" wide and interlocks quickly and easily to provide a clean, smooth, wall appearance for a variety of architectural applications. The flush wall panel is also available as a vented or non-vented soffit panel to complement virtually any roof or wall design.



Exceptional Roofs Require Exceptional Details

EXCEPTIONAL Metals manufactures edge components and accessories as well as standing seam metal panels that can complement any roof design and effectively channel water off the rooftop.





F ATR Hub
(Access Through Roof)



G 2-Piece Flex



H Collector Box with
Downspout Assembly



I 2-Piece Snap-On Compression



J Metal Flange Scupper



K DX-Style Gutter System





X-Series Gutters

X-Series gutters come in four box-style profiles in a variety of sizes to accommodate virtually any drainage need. Custom sizes and profiles are also available, as well as end caps and miters.

Downspouts are manufactured with a closed or open face, which eliminates blockage due to ice and debris build-up.



MX-Style Gutter



DX-Style Gutter



LX-Style Gutter



EX-Style Gutter

Downspouts



Open



Closed



Collectors/Conductors/Scuppers

Precisely crafted to exact specifications, collector boxes with an attached scupper are an ideal through-wall drainage option. Conductors are attached to an outside wall beneath scuppers. Use a metal flange scupper in conjunction with the conductor for an aesthetically-appealing appearance from the ground.



Collector Box



Single Skirt Scupper



Double Skirt Scupper



**Conductor shown with
a metal flange scupper**



Metal Flange Scupper



Edge Details

EXCEPTIONAL Metals edge products deliver dependable high-quality performance. Each Duro-Last manufacturing facility stocks 2-piece compression metal, gravel stop covers, and fascia bar covers. These products can be shipped within five business days when ordered in these finishes: stone white, sierra tan, medium bronze, and dark bronze.



2-Piece Snap-On Compression



2-Piece Snap-On Compression LG



2-Piece Flex Snap-On Compression



Snap-On Fascia Base



Edge Details

EXCEPTIONAL Metals and Duro-Last provide a complete roofing system. These edge details are manufactured using vinyl-coated metal with a 6" attached membrane skirt making them easily weldable to Duro-Last roof membrane.



T-Edge



T-Edge Plus



Vinyl-Coated Drip Edge



Edge Details

EXCEPTIONAL Metals offers a variety of edge products to meet building requirements. Whether it's a vinyl-coated edge detail, radius edge, or custom edge profile, EXCEPTIONAL Metals can provide a solution that delivers watertight integrity.



2"



1.75"



4"



4"

Gravel Stop Covers

Fascia Covers



4" Flex Fascia Cover



Edge Extender



Coping

EXCEPTIONAL Metals offers various coping systems that can provide a complete finish and enhance drainage from any parapet wall. Arched coping systems provide a smooth finish that is an aesthetically-pleasing alternative to traditional piecing.



Canted Coping



Flat Coping



Snap Coping



Arched Coping



Custom Capabilities

At EXCEPTIONAL Metals, we take ideas and transform them into real products that solve problems, enhance appearance, and improve productivity. With our customized capabilities, we take concepts and transform them into real-world products.



Custom Cornice Flashing



ATR Hub
(Access Through Roof)



Vinyl-Coated Pitch Pans



Custom Capabilities



Arch Drip Edge



**Vinyl-Coated
Parapet Wall Vent**



Vented Ridge Cap
(For sloped single-ply membrane roofs)



Paint and Substrate Warranties

- 35-Year Non-Prorated Kynar® 500/Hylar 5000® paint Warranty with a 20-Year Galvalume® Substrate Warranty
- 35-Year Non-Prorated Kynar Paint and 25-Year Aluminum Substrate Warranty
- 20-Year Non-Prorated International Kynar Paint Warranty
- 25-Year Non-Prorated Galvalume® Plus (Acrylic Coated Galvalume®) Warranty

Trinar® (Fluoropolymer)

Duro-Last standard colors, 70% PVDF Kynar 500/Hylar 5000® Trinar, are produced by AkzoNobel. All standards are formulated to ensure consistent color and quality. The Trinar system is applied over AkzoNobel polyester primer in a minimum thickness of 0.2 mil and can be applied to either Galvalume® HD galvanized or aluminum substrates. All topcoats are a minimum of 0.8 mil of the Trinar color of choice. The reverse side is primer and a washcoat of 0.5 mil total dry film thickness.

Galvalume® Plus

Duro-Last offers a mill finished Galvalume with a two-sided, clear chromate/acrylic finish that simultaneously aids roll forming without the use of lubricants and eliminates unsightly handprints or stains resulting from handling and storage. The acrylic finish dissolves naturally over a period of time, and when left as is, allows for natural and even weathering.

Our Metal Products Are Environmentally-Friendly

EXCEPTIONAL Metals products contain recycled materials and are also recyclable at the end of their useful life. Our metal product materials use infra-red reflective pigments and meet EPA ENERGY STAR® Roof Products Program performance criteria for steep slope (slope greater than 2:12 inches) roofing applications.



800-248-0280

www.exceptionalmetals.com



Duro-Last Roofing Systems® are proudly manufactured in the United States of America.

"Duro-Last", the "World's Best Roof", and "EXCEPTIONAL" are registered marks owned by Duro-Last Roofing, Inc.
EM Product Guide 1/12 - M#EM09-0003