



DURO-LAST® GEOTEXTILE SLIP SHEET

DATA SHEET

Description:

Geotextile slip sheet provides a lightweight and cost-effective separation when overlaying an existing roof system or an incompatible insulation product such as polystyrene. The roll size is 15 x 360 ft (4.5 x 109.7 m). The slip sheet is made from 100% polypropylene fibers that are needle-punched to form a dimensionally stable fabric. This slip sheet cannot be used over gravel-surfaced or ballasted roofs.

The Geotextile slip sheet may be used over:

- Smooth or granular surfaced built-up roofs
- Modified bitumen
- Coal tar pitch
- Single-ply membranes such as PVC, CSPE (Hypalon), etc.
- Smooth sprayed urethane foam
- Acrylic and aluminum coatings
- Polystyrene insulations
- Shingles

Refer to the "Getting Started" section of the Duro-Last® Specification Manual for additional information on substrate separation.

Material Safety Data Sheet:

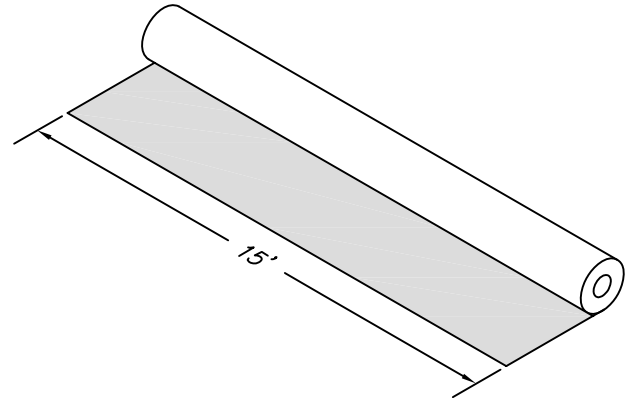
Item Type: DalTex Nonwoven Polypropylene Fabric

Installation:

1. The slip sheet must be installed on a clean and smooth surface, smooth side up.
2. Individual pieces must be overlapped 3 inches.
3. The slip sheet must be attached with Duro-Last approved fasteners, and 3 inch (76 mm) metal plates.
4. Place fasteners in each corner and along the overlap a maximum of 15 ft. (4.5 m) o.c.
5. Install a minimum of one fastener for curb or wall sections less than 4 ft. (1.2 m) in length and a minimum of two fasteners for sections between 4 ft. (1.2 m) and 15 ft. (4.5 m) in length.
6. When installing the slip sheet along the top of parapet walls, more fasteners may be necessary.

Note:

- The rolls should be stored elevated and covered to keep them dry. Use tarps, if necessary, to protect from rain.
- Only install as much slip sheet as can be covered by the roof membrane by the end of the day or onset of inclement weather.



GENERAL INFORMATION	
Packaged	Roll
Length	360 ft. (109.7 m)
Width	15 ft. (4.5 m)
Coverage with 3 in. (7.5 cm) overlap	5,310 ft ² (493.3 m ²)
Color	Black
Roll Weight	160 lb. (72.5 kg)
Weight per Area	0.03 lb./ft ² (0.15 kg/m ²)
Thickness	45 mil (1.14 mm)

Duro-Last: The Proven Performer®