

#1100 Flashing with Counterflashing

1100-4



1100-5

Photos May Show Some Available Options

ELMDOR/STONEMAN 1100-4 Series

FLASHING assemblies are recommended for flashing all roof penetrations from 1" SPS through 12" SPS. Seamless lead flashings provide for a simple, watertight installation using sheet lead complying with ASTM B-29 and Federal Specification QQL-20F, Grade C.

CAST IRON counterflashing attaches directly to the roof penetration via 3 set screws. Annular space between flashing and counterflashing skirt is to be field sealed using GE Type II silicone caulk or equal (supplied by others).

GUIDE SPECIFICATION: Provide, on each roof penetration, Elmdor/Stoneman #1100-4 lead flashing/counter-flashing assembly. Flashing shall be 4 lbs. seamless lead with 6" skirt and steel reinforced boot and shall permit installation on roofs with up to a 20 degree pitch. Counterflashing shall be cast iron set screw type and be attached directly to the roof penetration. All flashings shall be installed in accordance with manufacturers recommendations and flashed in accordance with the recommendations of the roofing material manufacturer.

ELMDOR/STONEMAN 1100-5 Series

FLASHING with Combination Counterflashing and Vandal Flash Hood assemblies are recommended for flashing all SPS and cast iron soil pipe roof penetrations from 1-1/2" SPS through 6" SPS. Seamless lead flashings provide for a simple watertight installation using sheet lead complying with ASTM B-29 and Federal Specification QQL-20F, Grade C.

CAST IRON counterflashing attaches directly to the roof penetration via 3 set screws. Hood attaches to spoked flashing also using 3 set screws. Annular space between flashing and counterflashing skirt is to be field sealed used GE Type II silicone caulk or equal (supplied by others).

GUIDE SPECIFICATION: Provide, on each roof penetration Elmdor/Stoneman #1100-5 Lead Flashing with Combination Counterflashing and Vandal Flash Hood. Flashing shall be 4 Lb seamless lead with 6" skirt and steel reinforced boot and shall permit installation on roofs with up to a 20 degree pitch. Combination Counterflashing and Vandal Flash Hood shall be cast iron set screw type and be attached directly to roof penetrations. All flashings shall be installed in accordance with manufacturers recommendations and flashed in accordance with the recommendations of the roofing material manufacturer.

1100

Revised: 3/30/05

BASE MODEL #

- 1100-4 Seamless Lead Flashing with Cast Iron Counterflashing
- 1100-5 Seamless Lead Flashing with Vandal Flash Hood
- 1100-7 Seamless Lead Flashing with Cast Iron Counterflashing and Vandal Flash Hood

NOMINAL PIPE SIZE (Roof Penetration)

Must Specify

1100-4 Series

- | | | | |
|---------------------------------|-------------------------------|---------------------------------|---------------------------------|
| <input type="checkbox"/> 1/2" | <input type="checkbox"/> 3/4" | <input type="checkbox"/> 1" | <input type="checkbox"/> 1-1/4" |
| <input type="checkbox"/> 1-1/2" | <input type="checkbox"/> 2" | <input type="checkbox"/> 2-1/2" | <input type="checkbox"/> 3" |
| <input type="checkbox"/> 3-1/2" | <input type="checkbox"/> 4" | <input type="checkbox"/> 5" | <input type="checkbox"/> 6" |
| <input type="checkbox"/> 8" | <input type="checkbox"/> 10" | <input type="checkbox"/> 12" | |

1100-5 Series

- | | | | |
|---------------------------------|---------------------------------|-----------------------------|---------------------------------|
| <input type="checkbox"/> 1-1/4" | <input type="checkbox"/> 1-1/2" | | |
| <input type="checkbox"/> 2" | <input type="checkbox"/> 2-1/2" | <input type="checkbox"/> 3" | <input type="checkbox"/> 3-1/2" |
| <input type="checkbox"/> 4" | <input type="checkbox"/> 5" | <input type="checkbox"/> 6" | |

1100-7 Series

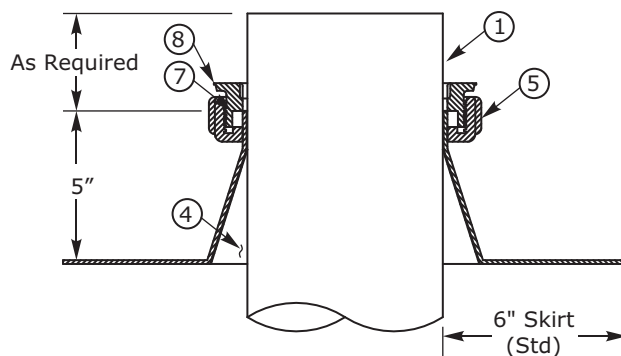
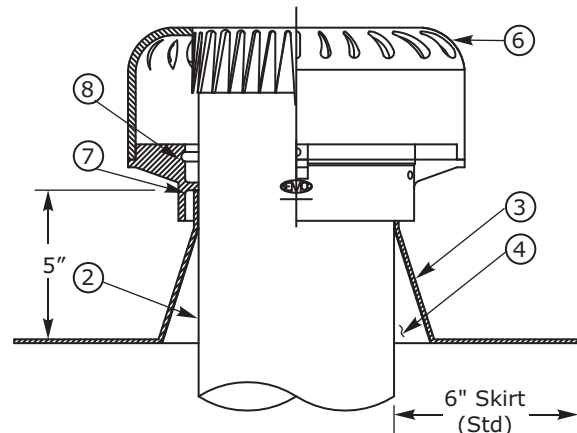
- | | | | |
|---------------------------------|---------------------------------|-----------------------------|---------------------------------|
| <input type="checkbox"/> 1-1/4" | <input type="checkbox"/> 1-1/2" | | |
| <input type="checkbox"/> 2" | <input type="checkbox"/> 2-1/2" | <input type="checkbox"/> 3" | <input type="checkbox"/> 3-1/2" |
| <input type="checkbox"/> 4" | <input type="checkbox"/> 5" | <input type="checkbox"/> 6" | |

MATERIAL TYPE Must Specify

- NHCI No-Hub Cast Iron Pipe
- SPS Standard Pipe Size
(Applies to Schedule 5 thru 160 Steel Pipe and Electrical Rigid Conduit; Schedules 40 & 80 ABS & PVC Plastic Pipe and Non-Metallic Electrical Conduit)
- SWCI Service Weight Cast Iron Hub and Spigot Pipe
- XHCI Extra Heavy Cast Iron Hub and Spigot Pipe

OPTIONS

- 6LB 6 Pound Lead Flashing
- 8SK 8" Lead Flashing Skirt
- 10SK 10" Lead Flashing Skirt

**1100-4 Series
Seamless Lead Roof Flashing/
Counterflashing Assembly**

**1100-5 Series
Seamless Lead Roof Flashing
with Vandal Flash Hood Assembly**

NOTES:

1. Roof penetration from 1" SPS to 12" SPS sizes.
For all sizes less than 1" SPS, copper tubing & O.D. sizes see 900 series flashing assemblies.
2. Roof Penetration with Vandal Flash hood from 1-1/2" SPS to 6" SPS sizes.
3. Seamless 4 lbs. Lead Flashing.

4. Galvanized Steel Reinforcing Boot.
5. Cast Iron Set Screw Type Counterflashing.
6. Cast Iron Set Screw Type Vandal Flash Hood.
7. Annular Space to be Field Sealed GE Type II Silicon Rubber Caulk or Equal, by Others.
8. Epoxy compound supplied by others.

Dimensions are subject to manufacturer's tolerance of plus or minus 1/4". Elmdor/Stoneman assumes no responsibility for use of void or suspended data. Please visit www.elmdorstoneman.com for most current specifications. © Copyright 2005 Elmdor/Stoneman, City of Industry, CA, A Division of Acorn Engineering Company.

SELECTION SUMMARY & APPROVAL FOR MANUFACTURING

Model Number & Options _____	Quantity _____
Company _____	Date _____
Contact _____	Title _____
Approval for Manufacturing/Signature _____	

1100

Revised: 3/30/05