



# STONEMAN

## ROOF FLASHINGS

SETTING *THE STANDARD* FOR THE INDUSTRY



Est. 1954

ACORN ENGINEERING  
Family of Companies

AVAILABILITY • COMMITMENT • QUALITY • SERVICE



## ELMDOR/STONEMAN MANUFACTURING CO.

was founded on the principle of design and production of the finest quality sheet metal fabrication.

Stoneman, with a tradition of innovation and unique patented product design, backed with 50+ years of experience, has historically set quality standards in the industry.

With a supportive national sales network, as well as strategically located warehouses, Elmdor/Stoneman is dedicated to the development and distribution of quality products for the building industry.

Elmdor/Stoneman is a division of Acorn Engineering Company.

# ANATOMY OF STORM-TITE FLASHINGS

The counterflashing is secured to the vent pipe by three vandal-resistant screws. The top recess is partially filled with back-up filler, such as polyethylene foam or a dry, non-asphalytic material, such as oakum. It is then topped with epoxy compound (epoxy compound and partial filler not furnished).

The joint between the flashing and the vent pipe is sealed and made watertight with epoxy compound and permits expansion and contraction of the vent pipe, or minor movement of the roof due to snow or rain loads, without disturbing the seal. The movement is not transmitted to the flashing and the vital bond between the flashing and the roofing felts is permanently protected.

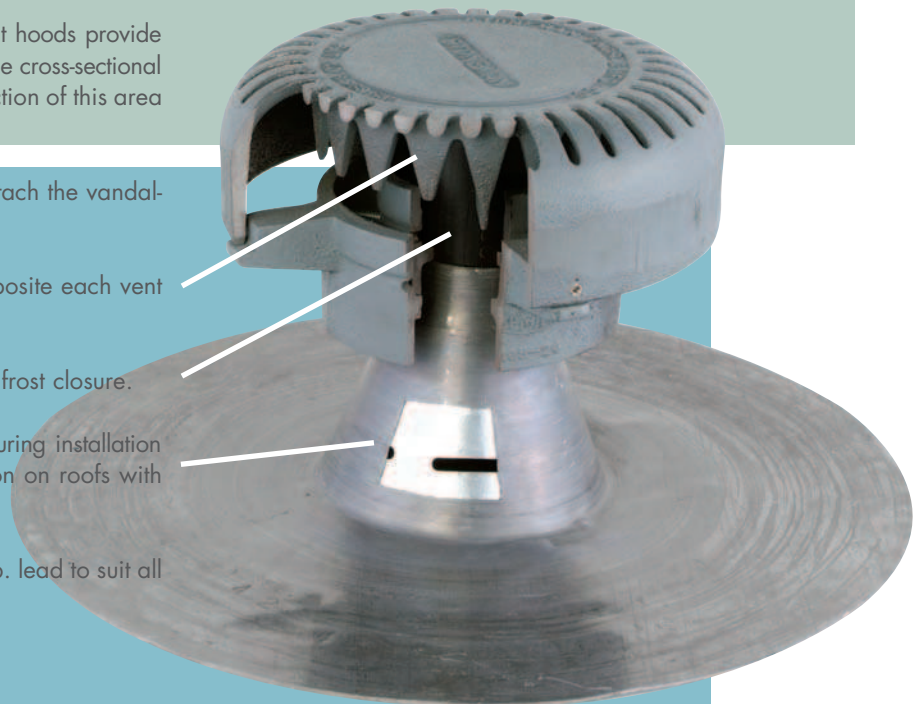
Steel reinforcing in boot prevents puncturing during installation and service. Conical shape permits installation on roofs with variable pitch to 20 degrees.

Round skirt provides uniform flashing engagement with roof felts. Available in 6", 8" and 10" widths, which provides adequate flashing area for all types of roof construction.

- Solid top prevents gravity entry of gravel, sand, dirt, etc.
- Design criteria for all Stoneman vandal-resistant hoods provide a minimum of 2 to 1 open area compared to the cross-sectional area of the vent pipe. Pipe stops prevent reduction of this area during installation.

- Flush Head socket type set screws securely attach the vandal-resistant hood to the counterflashing.
- Sawtooth barrier provides a solid section opposite each vent slot, effectively preventing entry of sticks, etc.
- Large open area on bottom of hood prevents frost closure.
- Steel reinforcing in boot prevents puncturing during installation and service. Conical shape permits installation on roofs with variable pitch to 20 degrees.
- Flashings are made from full weight 4lb. & 6lb. lead to suit all installation requirements.

Available in caulk type.





1100



## FLASHINGS

These flashing assemblies are recommended for flashing all pipes where they pass through the roof.

**Flashings:** The vari-pitch boot of the flashing will fit all angles up to 20 degrees. Flashings with 6" skirts are suitable where a solid base is provided, such as poured concrete roofs. The 8" or 10" skirts are preferred for wood, tile and steel decking, or wherever the larger flashing area is desired. The 4 lb. weight is suitable for general service. The 6 lb. weight is preferred in industrial areas where corrosive fumes are prevalent, costal areas where salt air is a problem and wherever maximum protection is desired.

**Simple Installation:** Provide vent pipe of correct height for flashing assembly to be used. When roofing felts are applied drop flashing in place and "mop in" in accordance with the roofing specifications. Install counterflashing and seal upper annular space with epoxy compound.

**Design and Construction:** Stoneman (Semco) seamless lead flashings are manufactured from chemical sheet lead that meet ASTM B-29 and Federal Specification Q Q L - 20f, and grade C. All conical flashings are furnished with a galvanized steel reinforced boot. The neck is sealed to the pipe, tube or conduit and covered with practical cast iron counter flashing secured to the pipe with vandal-resistant screws. The upper annular piece is sealed with epoxy compound. This provides for expansion and contraction of flashed pipe without disturbing the flashing. When properly installed these features give assurance that storm and internal wastewater never enter the building.

**Guide Specification:** Provide, on each roof penetration. Elmdor Stoneman #1100 lead flashing. Flashing shall be 4 lb. seamless lead with steel reinforced boot and shall permit installation on roofs with up to a 20 degree pitch.

1100-4



## SEAMLESS LEAD FLASHING WITH CAST IRON COUNTERFLASHING

Recommended for flashing all standard pipe size and cast iron roof penetrations from 1/2" to 12".

- Seamless lead flashing with steel reinforced boot provides for a watertight installation. Complies with ASTM B-29 and QQL-20F, Grade C.
- Cast iron caulk type counterflashing.
- Set screw connects directly to roof penetration.

**Guide Specification:** Provide, on each roof penetration. Elmdor Stoneman #1100-4 lead flashing/counterflashing assembly. Flashing shall be 4 lb. seamless lead with steel reinforced boot and shall permit installation on roofs with up to a 20 degree pitch. Counterflashing shall be cast iron set screw type and be attached directly to roof penetration.



# 1100-5



## SEAMLESS LEAD FLASHING WITH VANDAL FLASH HOOD

Recommended for flashing all standard pipe size and cast iron roof penetrations from 1-1/4" to 6".

- Seamless lead flashing with steel reinforced boot provides for a watertight installation. Complies with ASTM B-29 and QQL-20F, Grade C.
- Cast iron caulk type counterflashing with cast iron Vandal Flash Hood.
- Set screw connects directly to roof penetration.
- Vandal Flash Hood prevents entry of foreign material into the vent pipe

**Guide Specification:** Provide, on each roof penetration. Elmdor Stoneman #1100-5 lead flashing/counterflashing assembly with Vandal Flash Hood. Flashing shall be 4 lb. seamless lead with steel reinforced boot and shall permit installation on roofs with up to a 20 degree pitch. Combination counterflashing and Vandal Flash Hood shall be cast iron set screw type and be attached directly to roof penetration.



# 1100-7



## SEAMLESS LEAD FLASHING W/ CAST IRON COUNTERFLASHING & VANDAL FLASH HOOD

For flashing all standard pipe size and cast iron roof penetrations from 1-1/4" to 6".

- Seamless lead flashing with steel reinforced boot provides for a watertight installation. Complies with ASTM B-29 and QQL-20F, Grade C.
- Cast iron caulk type counterflashing with cast iron Vandal Flash Hood.
- Set screw connects directly to roof penetration.
- Vandal Flash Hood prevents entry of foreign material into the vent pipe.

**Guide Specification:** Provide, on each roof penetration. Elmdor Stoneman #1100-7 lead flashing/counterflashing assembly with cast iron caulk type counterflashing and cast iron Vandal Flash Hood. Flashing shall be 4 lb. seamless lead with steel reinforced boot and shall permit installation on roofs with up to a 20 degree pitch. Combination counterflashing and Vandal Flash Hood shall be cast iron set screw type and be attached directly to roof penetration.

Designs, dimensions and products described are subject to change without notice. ELMDOR/STONEMAN reserves the right to furnish materials of current design for all orders. Do not rough-in without certified dimensions.



( Future Flash Pictured )



### FUTURE FLASH

Commercial and industrial buildings are often designed with provisions for future mounted equipment. The installation of Future/Multi-Flash assemblies during original construction allows for the future installation of multiple service lines, avoiding the problems inherent in cutting through finished roofs and installing makeshift flashings. By departing from the traditional one roof penetration one flashing concept, roof penetrations and the number of flashings required are reduced, resulting in efficient and economical installations.

- For flashing multiple roof penetrations ranging in size from 1/8" outside diameter to 6" nominal standard pipe sizes
- Counterflashing cap and adapters of UV resistant PVC
- Seamless lead flashing with steel reinforced boot provides for a watertight installation. Complies with ASTM B-29 and QQL-20F, Grade C
- Multi-Flash Adapters, field solvent cemented to the counterflashing cap for on the job versatility

**Guide Specification:** Provide Elmdor Stoneman #910 lead flashing with Future Flash counterflashing cap. Flashing shall be 4 lb. seamless lead with 6" skirt and steel reinforced boot. Provide 915 Multi-Flash adapters to be sized to fit tubing, conduit and pipe penetrations. All flashings shall be installed in accordance with manufacturer's recommendations and flashed in accordance with the recommendations of the roofing material manufacturer.

### MULTI-FLASH ADAPTERS

915 Multi-Flash adapters are used in conjunction with the 910 Future/Multi-Flash. The PVC adapter utilizes a compression gasket to achieve a snug fit for a variety of pipe sizes. Once the location and holes for the pipe penetrations are determined on the 910 cap the appropriately sized adapter is used. This counterflashing/adapter is used to maintain the water-tightness of the flashed roof penetration. See the chart below or in the trade price guide for the adapter sizes available.

	SPS	EIMC	EMT	NCT	NHCI	RCT	SWCI	XHCI
1/8"	A4					A4		
3/16"						A4		
1/4"	A3			A4		A4		
3/8"	A2			A3		A4		
1/2"	A2 / A3	A2	A2	A3		A3		
5/8"						A3		
3/4"	A2	A2	A2	A2		A2		
7/8"						A2		
1"	A1	A1	A1	A1				
1-1/8"						A1		
1-1/4"	B2	B2	B2	B2 / B3				
1-3/8"						B2 / B3		
1-1/2"	B1	B1	B1	B2	B1			
1-5/8"						B2		
2"	C1	C1	C1	C2	C1		C1	C1
2-1/8"						C2		

Designs, dimensions and products described are subject to change without notice. ELMDOR/STONEMAN reserves the right to furnish materials of current design for all orders. Do not rough-in without certified dimensions.

# TRISOLATOR



## TRISOLATOR PIPING ISOLATOR

**Sound Transmission Control** - Trisolator isolates the piping from its support, thus preventing, at the source, the transmission of sound.

**Vibration Control** - Trisolator absorbs vibrations and prevents vibration noise between the hanger and piping.

**Electrolysis Control** - Trisolator prevents electrolytic action at the point of support.

**Piping Protection** - Trisolator cushions the piping and prevents the support from scratching the surface and crushing or deforming the piping.

Expansion, contraction and the flow of fluids and gasses through piping create extremely objectionable sounds and vibrations which are transmitted to the building structure through piping supports. The use of copper tubing with dissimilar metal such as cast iron pipe hangers may cause electrolytic action resulting in the ultimate replacing of the piping. Glass piping requires protection to prevent surface scratching. Plastic piping requires protection to prevent deforming or damage through crushing. Trisolator provides an efficient solution to these problems.

### Trisolator Is Engineered To Do The Job

Heavy gauge die-formed metal shell and specially processed hair felt are engineered to support the weight of the piping and its contents. Felt is coated with a non-conducting binder to resist the effects of moisture, abrasion and temperature and is chemically treated to repel vermin.

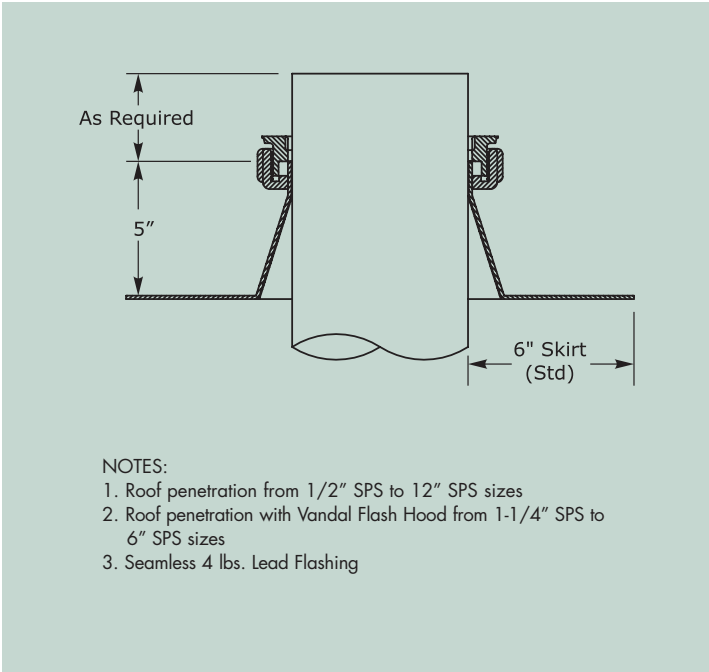
### Recommended Specifications

Furnish and install Stoneman Trisolator at each pipe hanger and pipe support on both hot and cold-water piping. Use No. 100 for SPS pipe and No. 500 for copper tubing.

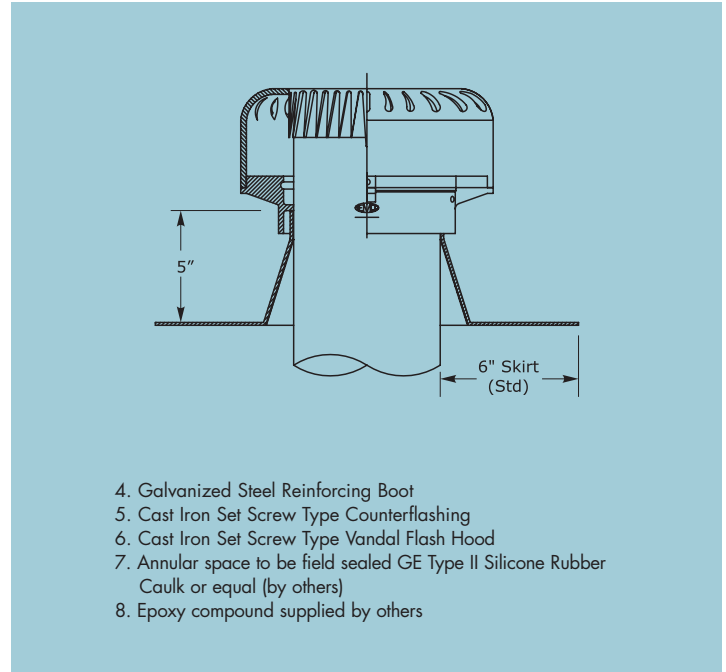


Designs, dimensions and products described are subject to change without notice.  
ELMDOR/STONEMAN reserves the right to furnish materials of current design for all orders. Do not rough-in without certified dimensions.

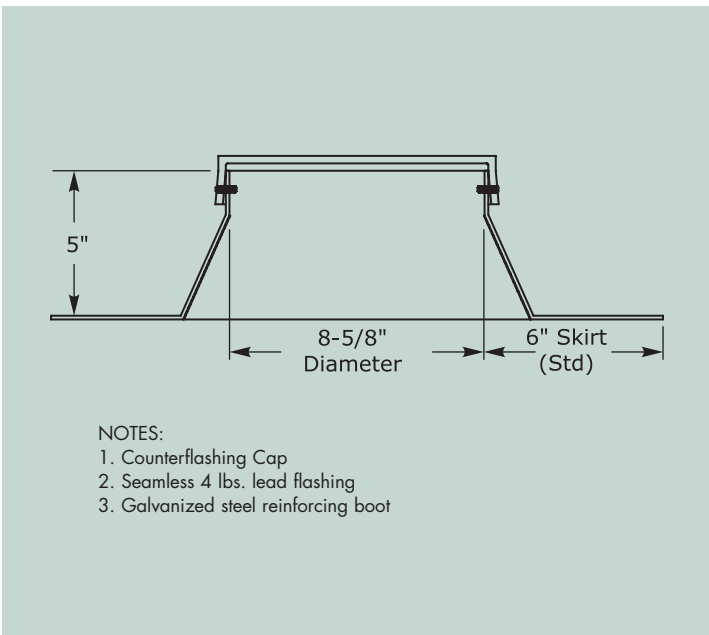
# FLASHING LINE DRAWINGS



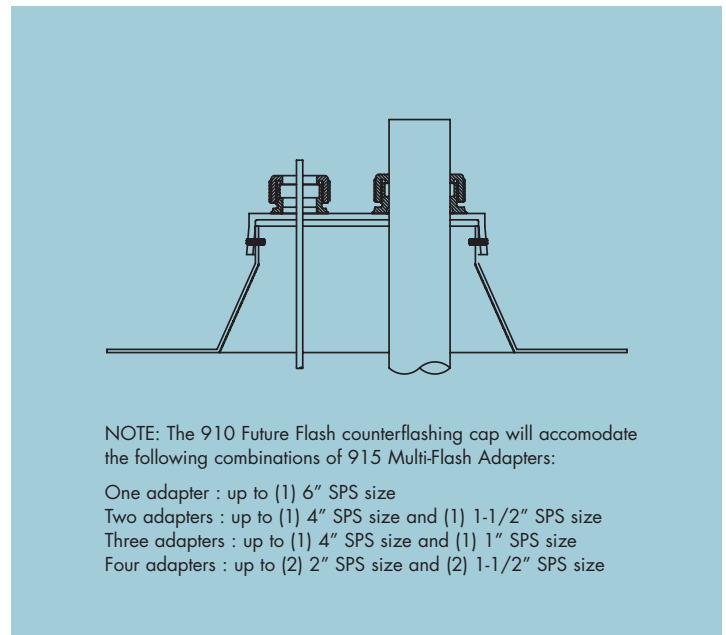
## 1100-4 SEAMLESS LEAD FLASHING WITH CAST IRON COUNTERFLASHING



## 1100-5 SEAMLESS LEAD FLASHING WITH VANDAL FLASH HOOD



## 910 FUTURE FLASH



## 915 MULTI-FLASH ADAPTERS

Designs, dimensions and products described are subject to change without notice.  
 ELMENDOR/STONEMAN reserves the right to furnish materials of current design for all orders. Do not rough-in without certified dimensions.



# ROOF FLASHING SELECTION CHART



**MODEL 910 /915**  
Future Flash  
Multi-Flash Adapters



**MODEL 1100-4**  
Seamless Lead Flashing  
with Cast Iron  
Counter Flashing



**MODEL 1100-5**  
Seamless Lead Flashing  
with Vandal Flash Hood



**MODEL 1100-7**  
Seamless Lead Flashing  
with Cast Iron  
Counter Flashing  
& Vandal Flash Hood

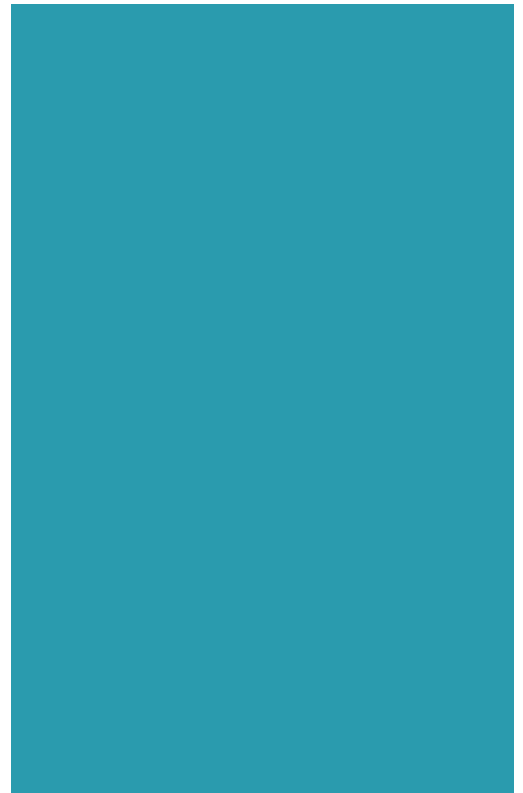
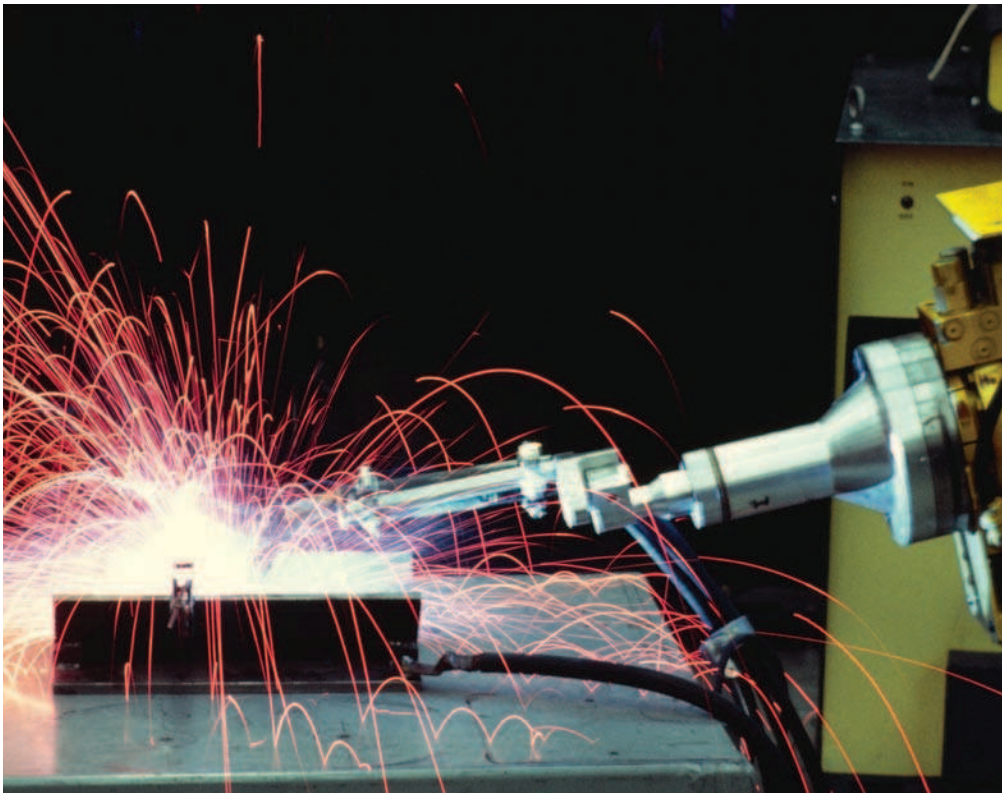
Flashing is used in the application of the following material:	Model 910/915									Model 1100-4				Model 1100-5				Model 1100-7				
	Nominal Copper Tubing	Refrigeration Copper Tubing	Electrical Interm. Conduit	Electrical Metallic Tubing	Standard Pipe Size Pipe	Extra Heavy Cast Iron Pipe	No-Hub Cast Iron Pipe	Service Weight Cast Iron Pipe			Standard Pipe Size Pipe	Extra Heavy Cast Iron Pipe	No-Hub Cast Iron Pipe	Service Weight Cast Iron Pipe	Standard Pipe Size Pipe	Extra Heavy Cast Iron Pipe	No-Hub Cast Iron Pipe	Service Weight Cast Iron Pipe	Standard Pipe Size Pipe	Extra Heavy Cast Iron Pipe	No-Hub Cast Iron Pipe	Service Weight Cast Iron Pipe
SIZE	NCT	RCT	EIMC	EMT	SPS	XHCI	NHCI	SWCI		SPS	XHCI	NHCI	SWCI	SPS	XHCI	NHCI	SWCI	SPS	XHCI	NHCI	SWCI	
1/8"		●			●																	
3/16"		●			●																	
1/4"	●	●			●																	
5/16"		●			●																	
3/8"	●	●			●																	
1/2"	●	●	●	●	●					●												
5/8"	●	●			●																	
3/4"	●	●	●	●	●					●												
7/8"		●			●																	
1"	●		●	●	●					●												
1-1/8"		●			●																	
1-1/4"	●		●	●	●					●				●								
1-3/8"		●			●																	
1-1/2"	●		●	●	●					●				●								
1-5/8"		●			●																	
2"	●		●	●	●	●	●	●		●	●	●	●	●	●	●	●	●	●	●	●	●
2-1/8"		●			●																	
2-1/2"					●					●	●	●	●	●	●	●	●	●	●	●	●	●
3"					●					●	●	●	●	●	●	●	●	●	●	●	●	●
3-1/2"					●					●	●	●	●	●	●	●	●	●	●	●	●	●
4"					●					●	●	●	●	●	●	●	●	●	●	●	●	●
5"					●					●	●	●	●	●	●	●	●	●	●	●	●	●
6"					●					●	●	●	●	●	●	●	●	●	●	●	●	●
8"					●					●	●	●	●	●	●	●	●	●	●	●	●	●
10"					●					●	●	●	●	●	●	●	●	●	●	●	●	●
12"					●					●	●	●	●	●	●	●	●	●	●	●	●	●

**RCT** - Refrigeration copper tubing uses outside dimension size.  
**SPS** - Standard Pipe Size applies to Schedule 5 thru 160 pipe and electrical rigid conduit; Schedule 40 & 80 ABS & PVC plastic pipe and non-metallic electrical conduit.  
**NCT** - Nominal Copper Tubing applies to types K, L, and M and DWV Copper Tubing. Designs, dimension and products described are subject to change without notice.  
 ELMENDOR/STONEMAN reserves the right to furnish materials of current design for all orders. Do not rough-in without certified dimensions.





**ELMDOR**<sup>®</sup>  
ACCESS DOORS  
[www.elmdor.com](http://www.elmdor.com)





# ROOF ACCESS HATCH

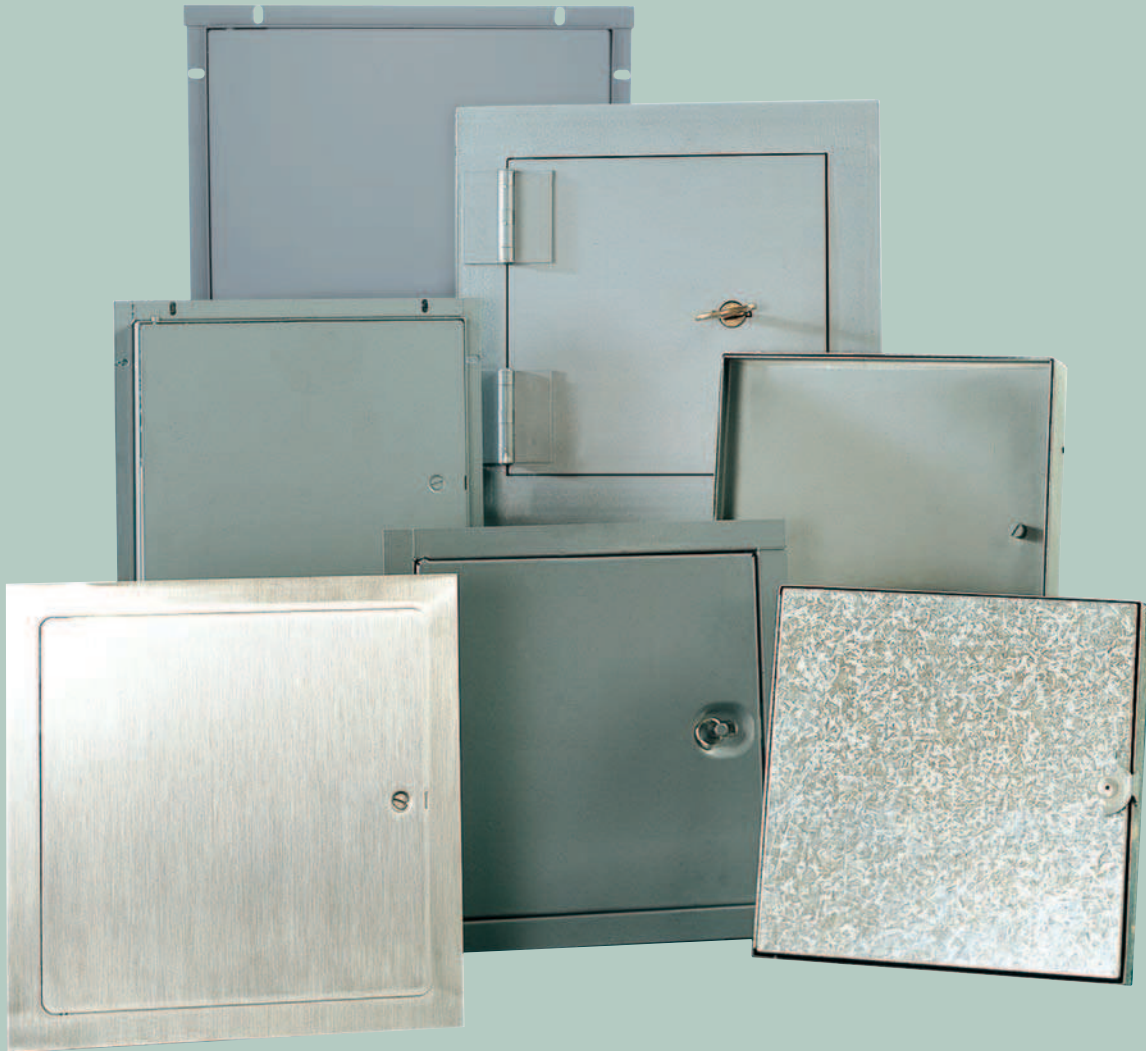
- Finest quality and workmanship
- Nationwide availability
- Stock readily available
- Available in many sizes
- Highly visible safety caution striping
- Durable recoatable gray primer finish (standard)

## Standard Sizes (special sizes available upon request)

SIZE	FRAME ID	FRAME OD	ROOF OPENING	SHIPPING WT lbs/kg.
24 x 24	24 x 24	31 x 31	24 x 24	115 / 52.1 kg
24 x 30	24 x 30	31 x 37	24 x 30	125 / 56.7 kg
24 x 36	24 x 36	31 x 43	24 x 36	135 / 61.2 kg
30 x 36	30 x 36	37 x 43	30 x 36	155 / 70.3 kg
30 x 54	30 x 54	37 x 61	30 x 54	225 / 102 kg
30 x 96	30 x 96	37 x 103	30 x 96	335 / 152 kg
36 x 36	36 x 36	43 x 43	36 x 36	200 / 90.7 kg
48 x 48	48 x 48	55 x 55	48 x 48	430 / 195 kg



# ELMDOR ACCESS DOORS



**ELMDOR**  
**STONEMAN™**

17451 Hurley St. • P.O. Box 3527  
City of Industry, CA 91744-0527 USA

(800) 591-9181 • (626) 968-8699  
Fax (626) 333-4109

[www.elmdorstoneman.com](http://www.elmdorstoneman.com)

e-mail: [info@elmdorstoneman.com](mailto:info@elmdorstoneman.com)

L1001047



Est. 1954

**ACORN ENGINEERING**  
Family of Companies