



[DBPR HOME](#) | [ABOUT DBPR](#) | [DBPR DIVISIONS](#) | [CONTACT DBPR](#)



[BCIS Home](#) | [Log In](#) | [User Registration](#) | [Hot Topics](#) | [Submit Surcharge](#) | [Stats & Facts](#) | [Publications](#) | [FBC Staff](#) | [BCIS Site Map](#) | [Links](#) | [Search](#)



Product Approval
USER: Public User

License efficiently. Regulate fairly.

[Product Approval Menu](#) > [Product or Application Search](#) > [Application List](#) > **Application Detail**

OFFICE OF THE SECRETARY

FL #	FL5027-R10
Application Type	Revision
Code Version	2014
Application Status	Approved
	*Approved by DBPR. Approvals by DBPR shall be reviewed and ratified by the POC and/or the Commission if necessary.
Comments	
Archived	<input type="checkbox"/>
Product Manufacturer	GAF/LL Building Products, Inc sub of GAF
Address/Phone/Email	1 Campus Drive Parsippany, NJ 07054 (973) 628-4048 mstieh@gaf.com
Authorized Signature	Michael Stieh mstieh@gaf.com
Technical Representative	Steve Boehling
Address/Phone/Email	295 McKoy Road Burgaw, NC 28425 sboehling@gaf.com
Quality Assurance Representative	Enrique Morales
Address/Phone/Email	295 McKoy Road Burgaw, NC 28425 emorales@gaf.com
Category	Roofing
Subcategory	Roofing Accessories that are an Integral Part of the Roofing System
Compliance Method	Evaluation Report from a Product Evaluation Entity
Evaluation Entity	Miami-Dade BCCO - EVL
Quality Assurance Entity	Miami-Dade BCCO - CER
Quality Assurance Contract Expiration Date	07/17/2017
Validated By	Miami-Dade BCCO - VAL
Certificate of Independence	
Referenced Standard and Year (of Standard)	Standard TAS(100)(A)
	Year 1995
Equivalence of Product Standards Certified By	
Sections from the Code	

<p>Approved for use outside HVHZ: Yes Impact Resistant: N/A Design Pressure: N/A Other: Approved for installations of asphaltic roof with mean roof heights no greater than 33 feet per Miami-Dade BCCO NOA 14-1224.17. The PR3XD Power Roof Vent complies with the HVHZ of the Florida Building Code</p>	<p>Vent.pdf Verified By: Miami-Dade BCCO - EVL Created by Independent Third Party: Evaluation Reports FL5027 R10 AE NOA NO 14-1224.17 PR3XD Power Vent.pdf</p>	
<p>5027.7</p>	<p>SSB960 Static Roof Louver</p>	<p>SSB960 Static Roof Louver</p>
<p>Limits of Use Approved for use in HVHZ: Yes Approved for use outside HVHZ: Yes Impact Resistant: N/A Design Pressure: N/A Other: SSB960 Roof Louvers shall not be installed on roof mean heights greater than 33 feet and are to be installed on asphaltic shingle roofing per Miami-Dade NOA 14-0414.08. The SSB960 Static Roof Louver complies with the HVHZ of the Florida Building Code.</p>	<p>Installation Instructions FL5027 R10 II NOA NO 14-0414.08 SSB960 Slant Back Static Vent.pdf Verified By: Miami-Dade BCCO - EVL Created by Independent Third Party: Evaluation Reports FL5027 R10 AE NOA NO 14-0414.08 SSB960 Slant Back Static Vent.pdf</p>	

[Back](#)

[Next](#)

[Contact Us](#) :: [1940 North Monroe Street, Tallahassee FL 32399](#) [Phone: 850-487-1824](#)

The State of Florida is an AA/EEO employer. [Copyright 2007-2013 State of Florida](#). :: [Privacy Statement](#) :: [Accessibility Statement](#) :: [Refund Statement](#)

Under Florida law, email addresses are public records. If you do not want your e-mail address released in response to a public-records request, do not send electronic mail to this entity. Instead, contact the office by phone or by traditional mail. If you have any questions, please contact 850.487.1395.
 *Pursuant to Section 455.275(1), Florida Statutes, effective October 1, 2012, licensees licensed under Chapter 455, F.S. must provide the Department with an email address if they have one. The emails provided may be used for official communication with the licensee. However email addresses are public record. If you do not wish to supply a personal address, please provide the Department with an email address which can be made available to the public. To determine if you are a licensee under Chapter 455, F.S., please click [here](#).

Product Approval Accepts:





DEPARTMENT OF REGULATORY AND ECONOMIC RESOURCES (RER)
BOARD AND CODE ADMINISTRATION DIVISION
NOTICE OF ACCEPTANCE (NOA)

MIAMI-DADE COUNTY
PRODUCT CONTROL SECTION
11805 SW 26 Street, Room 208
Miami, Florida 33175-2474
T (786)315-2590 F (786) 315-2599
www.miamidadecounty.gov/economy

GAF
1 Campus Drive
Parsippany, NJ 07054

SCOPE:

This NOA is being issued under the applicable rules and regulations governing the use of construction materials. The documentation submitted has been reviewed and accepted by Miami-Dade County RER -Product Control Section to be used in Miami Dade County and other areas where allowed by the Authority Having Jurisdiction (AHJ).

This NOA shall not be valid after the expiration date stated below. The Miami-Dade County Product Control Section (In Miami Dade County) and/or the AHJ (in areas other than Miami Dade County) reserve the right to have this product or material tested for quality assurance purposes. If this product or material fails to perform in the accepted manner, the manufacturer will incur the expense of such testing and the AHJ may immediately revoke, modify, or suspend the use of such product or material within their jurisdiction. RER reserves the right to revoke this acceptance, if it is determined by Miami-Dade County Product Control Section that this product or material fails to meet the requirements of the applicable building code.

This product is approved as described herein, and has been designed to comply with the Florida Building Code including the High Velocity Hurricane Zone of the Florida Building Code.

DESCRIPTION: GAF Master Flow® Attic Exhaust Vent – 10ft. Aluminum Ridge Vent (AR10H)

LABELING: Each unit shall bear a permanent label with the manufacturer's name or logo, city, state and following statement: "Miami-Dade County Product Control Approved", unless otherwise noted herein.

RENEWAL of this NOA shall be considered after a renewal application has been filed and there has been no change in the applicable building code negatively affecting the performance of this product.

TERMINATION of this NOA will occur after the expiration date or if there has been a revision or change in the materials, use, and/or manufacture of the product or process. Misuse of this NOA as an endorsement of any product, for sales, advertising or any other purposes shall automatically terminate this NOA. Failure to comply with any section of this NOA shall be cause for termination and removal of NOA.

ADVERTISEMENT: The NOA number preceded by the words Miami-Dade County, Florida, and followed by the expiration date may be displayed in advertising literature. If any portion of the NOA is displayed, then it shall be done in its entirety.

INSPECTION: A copy of this entire NOA shall be provided to the user by the manufacturer or its distributors and shall be available for inspection at the job site at the request of the Building Official.

This NOA revises NOA No. 12-0127.10 and consists of pages 1 through 4.
The submitted documentation was reviewed by Alex Tigera.



NOA No.: 15-0114.02
Expiration Date: 07/17/17
Approval Date: 08/20/15
Page 1 of 4

ROOFING SYSTEM APPROVAL

Category: Roofing
Sub-Category: Ventilation
Material: Aluminum

TRADE NAMES OF PRODUCTS MANUFACTURED OR LABELED BY APPLICANT:

<u>Product</u>	<u>Dimensions</u>	<u>Test Specification</u>	<u>Product Description</u>
GAF Master Flow® Attic Exhaust Vent – 10ft. Aluminum Ridge Vent (AR10H)	1.71": height 8":width 10':length 0.025": Min. embossed thickness	TAS 100(A)	Aluminum static louvered roof ventilation system
GAF Master Flow® End Caps for Aluminum Ridge Vent	1.8": height 5.75":width 1.44":length 0.080": Min. thickness	TAS 100(A)	End cap for GAF Master Flow® Attic Exhaust Vent – 10ft Aluminum Ridge Vent (AR10H)
GAF Master Flow® Connector Straps for Aluminum Ridge Vent	1.5": height 2":width 7.75":length 0.025": Min. thickness	TAS 100(A)	Connector Strap for GAF Master Flow® Attic Exhaust Vent – 10ft Aluminum Ridge Vent (AR10H)

MANUFACTURING LOCATION

- Burgaw, NC.

EVIDENCE SUBMITTED

<u>Test Agency</u>	<u>Test Identifier</u>	<u>Description</u>	<u>Date</u>
Center for Applied Engineering, Inc.	MDC-106	TAS100(A)	Feb. 1995
Celotex Corporation Testing Services	520128-3	TAS 100(A)	Jan. 1999
PRI Construction Material Technologies	LLB-015-02-01	TAS 100(A)	08/01/07



NOA No.: 15-0114.02
 Expiration Date: 07/17/17
 Approval Date: 08/20/15
 Page 2 of 4

APPROVED ASSEMBLY:

System Type A: Mechanical attachment of static vent over asphalt shingles.

Cutout: Refer to manufacturer's published literature .

Installation: Install end plug on the end of the vent sealed with 100% silicone sealant. GAF Master Flow® Attic Exhaust Vent – 10ft. Aluminum Ridge Vent (AR10H) shall be 4" longer than ventilation slot to provide a base for the end plug.

Apply ¼" wide bead of 100% silicone sealant caulk to the bottom flange of the GAF Master Flow® Attic Exhaust Vent – 10ft Aluminum Ridge Vent (AR10H) sections close to where roof hole will be after vent is installed. Align end of first section on the end marks and the bottom of the nailing flange on the chalk line (4" down on both side of the ridge peak). Nail the GAF Master Flow® Attic Exhaust Vent – 10ft. Aluminum Ridge Vent (AR10H) in place using 1½" aluminum ring shank roofing nails 12" o.c., with the first nail 1½" to 2" from the vent end. All nail heads and vent section joints shall be sealed with 100% silicone sealant.

Install GAF Master Flow® End Caps for Aluminum Ridge Vent over each end of ridge vent. Install GAF Master Flow® Connector Straps for Aluminum Ridge Vent at all connections between sections, and at 3' intervals over the remainder of the vent using four 1½" aluminum ring shank roofing nails per strap.

Ventilation Refer to manufacturer's published literature.

Calculations:

Minimum 2:12

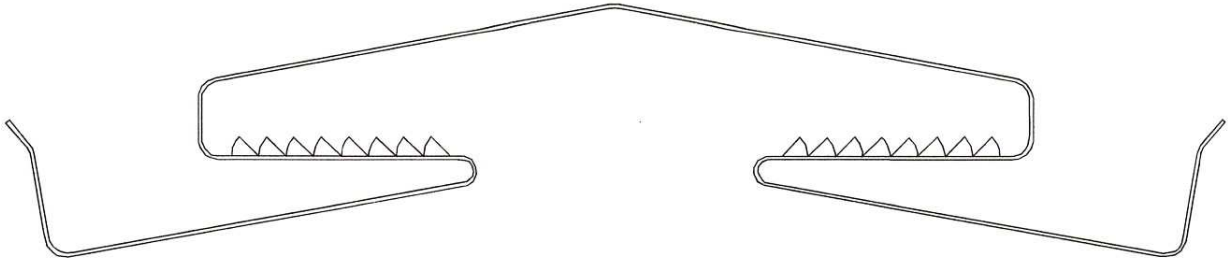
Slope:

LIMITATIONS:

1. Refer to applicable Building Codes for required ventilation.
2. GAF Master Flow® Attic Exhaust Vent – 10ft Aluminum Ridge Vent (AR10H). Shall comply with applicable building code.
3. GAF Master Flow® Attic Exhaust Vent – 10ft Aluminum Ridge Vent (AR10H) shall not be installed on roof mean heights greater than 33 feet.
4. GAF Master Flow® Attic Exhaust Vent – 10ft Aluminum Ridge Vent (AR10H) shall comply with 1517.6 of the Florida Building Code (FBC).
5. All products listed herein shall have a quality assurance audit in accordance with the Florida Building Code and Rule 61G20-3 of the Florida Administrative Code.



DETAIL



**GAF MASTER FLOW[®] ATTIC EXHAUST VENT – 10FT ALUMINUM RIDGE VENT
(AR10H)**

END OF THIS ACCEPTANCE



**NOA No.: 15-0114.02
Expiration Date: 07/17/17
Approval Date: 08/20/15
Page 4 of 4**



DEPARTMENT OF REGULATORY AND ECONOMIC RESOURCES (RER)
BOARD AND CODE ADMINISTRATION DIVISION

MIAMI-DADE COUNTY
PRODUCT CONTROL SECTION
11805 SW 26 Street, Room 208
Miami, Florida 33175-2474
T (786) 315-2590 F (786) 315-2599
www.miamidade.gov/economy

NOTICE OF ACCEPTANCE (NOA)

GAF
1 Campus Drive
Parsippany, NJ 07054

SCOPE:

This NOA is being issued under the applicable rules and regulations governing the use of construction materials. The documentation submitted has been reviewed and accepted by Miami-Dade County RER - Product Control Section to be used in Miami Dade County and other areas where allowed by the Authority Having Jurisdiction (AHJ).

This NOA shall not be valid after the expiration date stated below. The Miami-Dade County Product Control Section (In Miami Dade County) and/or the AHJ (in areas other than Miami Dade County) reserve the right to have this product or material tested for quality assurance purposes. If this product or material fails to perform in the accepted manner, the manufacturer will incur the expense of such testing and the AHJ may immediately revoke, modify, or suspend the use of such product or material within their jurisdiction. RER reserves the right to revoke this acceptance, if it is determined by Miami-Dade County Product Control Section that this product or material fails to meet the requirements of the applicable building code.

This product is approved as described herein, and has been designed to comply with the Florida Building Code including the High Velocity Hurricane Zone of the Florida Building Code.

DESCRIPTION: GAF Master Flow® 12” Galvanized Wind Turbine – Externally Braced – Dual Bearing Construction (GC12EF) Turbine Vent

LABELING: Each unit shall bear a permanent label with the manufacturer's name or logo, city, state and following statement: "Miami-Dade County Product Control Approved", unless otherwise noted herein.

RENEWAL of this NOA shall be considered after a renewal application has been filed and there has been no change in the applicable building code negatively affecting the performance of this product.

TERMINATION of this NOA will occur after the expiration date or if there has been a revision or change in the materials, use, and/or manufacture of the product or process. Misuse of this NOA as an endorsement of any product, for sales, advertising or any other purposes shall automatically terminate this NOA. Failure to comply with any section of this NOA shall be cause for termination and removal of NOA.

ADVERTISEMENT: The NOA number preceded by the words Miami-Dade County, Florida, and followed by the expiration date may be displayed in advertising literature. If any portion of the NOA is displayed, then it shall be done in its entirety.

INSPECTION: A copy of this entire NOA shall be provided to the user by the manufacturer or its distributors and shall be available for inspection at the job site at the request of the Building Official.

This NOA revises NOA No. 12-0127.09 and consists of pages 1 through 5.
The submitted documentation was reviewed by Alex Tigera.



NOA No.: 14-1224.14
Expiration Date: 07/17/17
Approval Date: 07/16/15
Page 1 of 5

ROOFING COMPONENT APPROVAL

Category: Roofing
Sub-Category: Ventilation
Material: Steel
Deck: Wood

TRADE NAMES OF PRODUCTS MANUFACTURED OR LABELED BY APPLICANT:

<u>Product</u>	<u>Dimensions</u>	<u>Test Specification</u>	<u>Product Description</u>
GAF Master Flow® 12” Galvanized Wind Turbine – Externally Braced – Dual Bearing Construction (GC12EF) Turbine Vent	18” wide at base 20” high 26 gauge minimum thickness	TAS 100(A)	12” diameter opening turbine ventilation system

MANUFACTURING LOCATION

1. Burgaw, NC.

EVIDENCE SUBMITTED

<u>Test Agency</u>	<u>Test Identifier</u>	<u>Description</u>	<u>Date</u>
Celotex Corp. Testing Services	520128-9	TAS 100	01/01/99
PRI Asphalt Technologies, Inc.	LLB-006-02-01	TAS 100	05/12/04



NOA No.: 14-1224.14
Expiration Date: 07/17/17
Approval Date: 07/16/15
Page 2 of 5

APPROVED ASSEMBLY:

Tradename: GAF Master Flow® 12" Galvanized Wind Turbine – Externally Braced – Dual Bearing Construction (GC12EF) Turbine Vent

System Type: Mechanical attachment of turbine vent over asphalt shingle roof systems only.

Cutout: At chosen location and centered between two roof rafters, cut a 12" diameter hole through shingles and sheathing boards. Make a mark on the shingles 5½" up roof from the top of the cutout, and 5½" to the right and left of the cutout edges.

Installation: Starting with a shingle course down roof edge closest to horizontal center line of the 12" cutout, roll all shingles in the area between the three marks carefully upward, and completely remove all shingle nails which are exposed and within the area enclosed by the marks.

Loosen clamp screw on vent system base. Place mounting base unit flat on the shingles on its flashing and, standing with one foot on each side of the flashing, turn the upper adjustable stack section to a vertical position, rotating flashing section as required. (Note: This adjustment must be made before anchoring base flashing to roof.) Now tighten clamp screw to lock in position.

Coat underside of base flashing with roofing cement, and, in its pitch-adjusted position, carefully slide upper half of flashing up roof beneath shingles previously rolled back, until base is centered over 12" cutout. Again rolling back the shingles where necessary, and rechecking pitch setting for vertical alignment, secure the base unit to roof using 11 ga. roofing nails approximately 1" from the edge at all corners and at the center of each edge. Next place roofing nails every 45° approximately 1" out from the stack. Use a minimum of (24) twenty-four nails (See Fastening Pattern below). Nails shall be of sufficient length to penetrate through roof sheathing a minimum of ½". Apply roofing cement to underside of shingles overlapping flashing, and press them down onto the flashing.

Set turbine firmly on crimped base collar, anchor with (3) three corrosion resistant #10 x ½" sheet metal screws through holes in turbine base ring.

Note: **Apply roofing cement to all exposed flashing edges and gutter sealing caulking to the junction of stack and flashing, the bead joining the upper and lower stack sections and the vertical seam in the upper and lower stack sections and all exposed nail and screw heads.**

Net Free Area: Refer to manufacturers published literature.

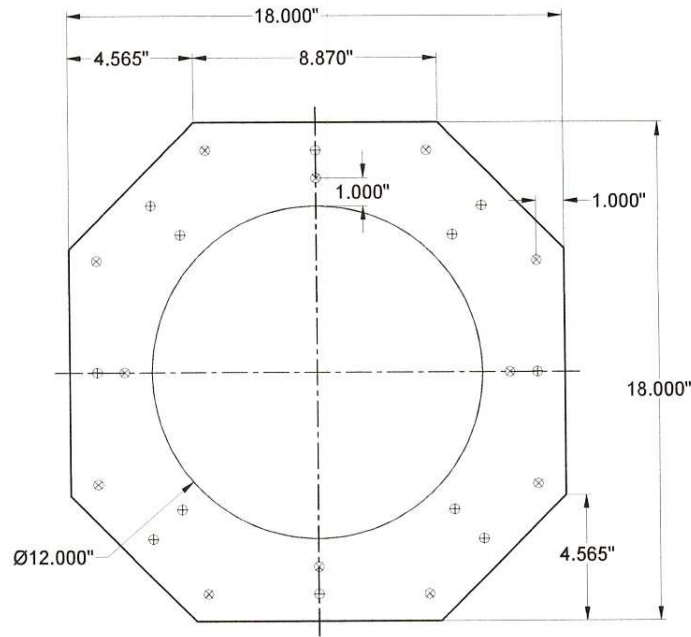


LIMITATIONS:

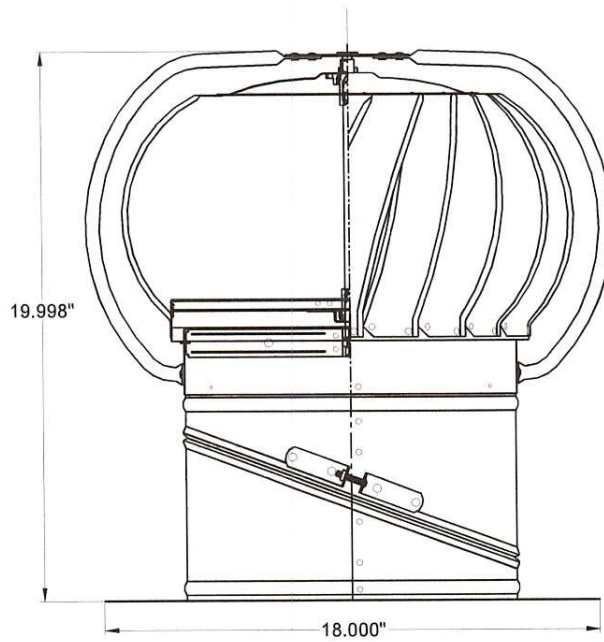
1. Refer to applicable Building Codes for required ventilation.
2. GAF Master Flow® 12” Galvanized Wind Turbine – Externally Braced – Dual Bearing Construction (GC12EF) Turbine Vent shall comply with applicable Building Code.
3. This acceptance is for installations over asphalt shingle roof systems only.
4. GAF Master Flow® 12” Galvanized Wind Turbine – Externally Braced – Dual Bearing Construction (GC12EF) Turbine Vent shall not be installed on roof mean heights greater than 33 feet.
5. GAF Master Flow® 12” Galvanized Wind Turbine – Externally Braced – Dual Bearing Construction (GC12EF) Turbine Vent shall comply with 1517.6 of the Florida Building Code (FBC).
6. All products listed herein shall have a quality assurance audit in accordance with the Florida Building Code and Rule 61G20-3 of the Florida Administrative Code.
7. All approved products listed herein shall be labeled and shall bear the imprint or identifiable marking of the manufacturer's name or logo and following statement: "Miami-Dade County Product Control Approved" or the Miami-Dade County Product Control Seal as shown below.



DETAIL DRAWINGS



Turbine Base



GAF MASTER FLOW® 12" GALVANIZED WIND TURBINE – EXTERNALLY BRACED – DUAL BEARING CONSTRUCTION (GC12EF) TURBINE VENT

END OF THIS ACCEPTANCE





DEPARTMENT OF REGULATORY AND ECONOMIC RESOURCES (RER)
 BOARD AND CODE ADMINISTRATION DIVISION

MIAMI-DADE COUNTY
 PRODUCT CONTROL SECTION
 11805 SW 26 Street, Room 208
 Miami, Florida 33175-2474
 T (786) 315-2590 F (786) 315-2599
www.miamidade.gov/economy

NOTICE OF ACCEPTANCE (NOA)

GAF
1 Campus Drive
Parsippany, NJ 07054

SCOPE:

This NOA is being issued under the applicable rules and regulations governing the use of construction materials. The documentation submitted has been reviewed and accepted by Miami-Dade County RER - Product Control Section to be used in Miami-Dade County and other areas where allowed by the Authority Having Jurisdiction (AHJ).

This NOA shall not be valid after the expiration date stated below. The Miami-Dade County Product Control Section (in Miami-Dade County) and/or the AHJ (in areas other than Miami-Dade County) reserve the right to have this product or material tested for quality assurance purposes. If this product or material fails to perform in the accepted manner, the manufacturer will incur the expense of such testing and the AHJ may immediately revoke, modify, or suspend the use of such product or material within their jurisdiction. RER reserves the right to revoke this acceptance, if it is determined by Miami-Dade County Product Control Section that this product or material fails to meet the requirements of the applicable building code.

This product is approved as described herein, and has been designed to comply with the Florida Building Code including the High Velocity Hurricane Zone of the Florida Building Code.

DESCRIPTION: GAF Master Flow® Green Machine™ Solar-Powered EcoSmart Roof Vent (PRSOLAR1) and GAF Master Flow® Green Machine™ Dual-Powered EcoSmart Roof Vent (PRHYBRID1)

LABELING: Each unit shall bear a permanent label with the manufacturer's name or logo, city, state and following statement: "Miami-Dade County Product Control Approved", unless otherwise noted herein.

RENEWAL of this NOA shall be considered after a renewal application has been filed and there has been no change in the applicable building code negatively affecting the performance of this product.

TERMINATION of this NOA will occur after the expiration date or if there has been a revision or change in the materials, use, and/or manufacture of the product or process. Misuse of this NOA as an endorsement of any product, for sales, advertising or any other purposes shall automatically terminate this NOA. Failure to comply with any section of this NOA shall be cause for termination and removal of NOA.

ADVERTISEMENT: The NOA number preceded by the words Miami-Dade County, Florida, and followed by the expiration date may be displayed in advertising literature. If any portion of the NOA is displayed, then it shall be done in its entirety.

INSPECTION: A copy of this entire NOA shall be provided to the user by the manufacturer or its distributors and shall be available for inspection at the job site at the request of the Building Official.

This NOA renews NOA #14-1224.13 and consists of pages 1 through 4.
 The submitted documentation was reviewed by Gaspar J Rodriguez.



NOA No.: 15-0812.18
 Expiration Date: 11/10/20
 Approval Date: 10/08/15
 Page 1 of 4

ROOFING COMPONENT APPROVAL

Category: Roofing
Sub-Category: Ventilation
Materials: Steel

TRADE NAMES OF PRODUCTS MANUFACTURED OR LABELED BY APPLICANT:

<u>Product</u>	<u>Dimensions</u>	<u>Test Specification</u>	<u>Product Description</u>
GAF Master Flow® Green Machine™ Solar-Powered EcoSmart Roof Vent (PRSOLAR1)	19" x 28"x28" 0.020" thick Steel	TAS 100	Solar-Powered Roof Vent, with fan and thermostat with a galvanized hood.
GAF Master Flow® Green Machine™ Dual-Powered EcoSmart Roof Vent (PRHYBRID1)	19" x 28"x28" 0.020" thick Steel	TAS 100	Solar/Electric Powered Roof Vent, with fan and thermostat with a galvanized hood.

MANUFACTURING LOCATION:

1. Burgaw, NC.

EVIDENCE SUBMITTED:

<u>Test Agency</u>	<u>Test Name/Report</u>	<u>Test Identifier</u>	<u>Date</u>
PRI Construction Materials Technologies, LLC	TAS 100(A)	LLB-029-02-01	07/16/15



NOA No.: 15-0812.18
Expiration Date: 11/10/20
Approval Date: 10/08/15
Page 2 of 4

APPROVED APPLICATIONS

- Tradename:** GAF Master Flow® Green Machine™ Solar-Powered EcoSmart Roof Vent (PRSOLAR1) and GAF Master Flow® Green Machine™ Dual-Powered EcoSmart Roof Vent (PRHYBRID1)
- System Type:** Mechanical attachment of static vent over asphalt shingle roof systems only.
- Cutout:** Vents should be evenly spaced on the rear slope of the roof. Vent must be placed 18-inches from ridgeline. At chosen location and centered between two roof rafters, cut a 15-inch diameter hole through shingles and sheathing boards.
- Installation:** Remove roofing nails from top row of shingles so the flashing of the roof vent will slide under shingles. Apply approved roof cement around the edge of the hole. Carefully slide base of vent under shingles with arrow facing up. Make sure the throat of the vent is centered over vent hole. Fasten the base to roof decking at corners and approx. 4" o.c. 1" from the outside edge of the flange and 1" from stack every 45° with approved roofing nails, keeping heads of nails under shingles where possible. Use a minimum of 32 nails. Nails shall be of sufficient length to penetrate through roof sheathing a minimum of ½". See detail drawings herein. Seal all seams and nails with roofing cement. After mounting the vent elevate the adjustable solar panels to achieve maximum exposure to the sun and lock in position.
- Net Free Area:** Refer to manufacturers published literature.

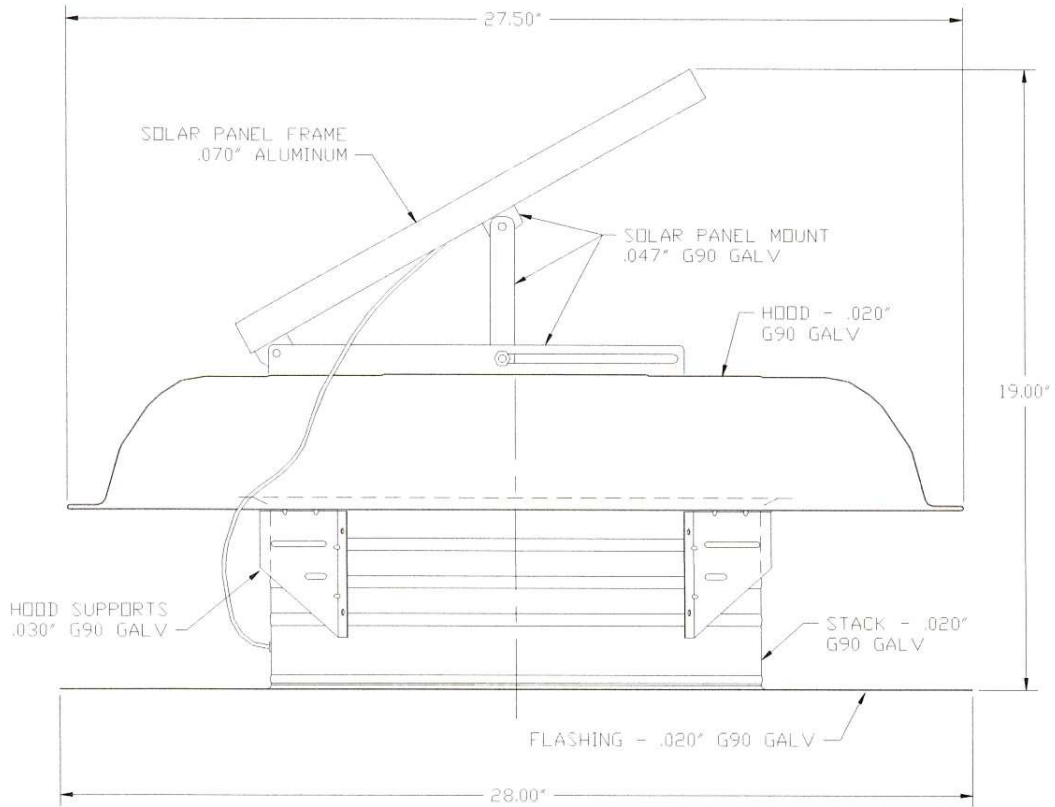
LIMITATIONS:

1. Refer to applicable building codes for required ventilation.
2. For GAF Master Flow® Green Machine™ Solar-Powered EcoSmart Roof Vent (PRSOLAR1) and GAF Master Flow® Green Machine™ Dual-Powered EcoSmart Roof Vent (PRHYBRID1), thermostat shall be installed in compliance with GAF's published instructions, and in accordance with applicable Building Codes.
3. This acceptance is for installations over asphalt shingle roof systems only.
4. GAF Master Flow® Green Machine™ Solar-Powered EcoSmart Roof Vent (PRSOLAR1) and GAF Master Flow® Green Machine™ Dual-Powered EcoSmart Roof Vent (PRHYBRID1) shall not be installed on roof mean heights greater than 33 feet.
5. All products listed herein shall have a quality assurance audit in accordance with the Florida Building Code and Rule 61G20-3 of the Florida Administrative Code.
6. All approved products listed herein shall be labeled and shall bear the imprint or identifiable marking of the manufacturer's name or logo and following statement: "Miami-Dade County Product Control Approved" or the Miami-Dade County Product Control Seal as shown below.



DETAIL DRAWINGS

GAF MASTER FLOW® GREEN MACHINE™ SOLAR-POWERED ECOSMART ROOF VENT (PRSOLAR1) AND GAF MASTER FLOW® GREEN MACHINE™ DUAL-POWERED ECOSMART ROOF VENT (PRHYBRID1),



END OF THIS ACCEPTANCE



NOA No.: 15-0812.18
Expiration Date: 11/10/20
Approval Date: 10/08/15
Page 4 of 4



DEPARTMENT OF REGULATORY AND ECONOMIC RESOURCES (RER)
BOARD AND CODE ADMINISTRATION DIVISION

MIAMI-DADE COUNTY
PRODUCT CONTROL SECTION
11805 SW 26 Street, Room 208
Miami, Florida 33175-2474
T (786) 315-2590 F (786) 315-2599
www.miamidade.gov/economy

NOTICE OF ACCEPTANCE (NOA)

GAF
1 Campus Drive
Parsippany, NJ 07054

SCOPE:

This NOA is being issued under the applicable rules and regulations governing the use of construction materials. The documentation submitted has been reviewed and accepted by Miami-Dade County RER - Product Control Section to be used in Miami Dade County and other areas where allowed by the Authority Having Jurisdiction (AHJ).

This NOA shall not be valid after the expiration date stated below. The Miami-Dade County Product Control Section (In Miami Dade County) and/or the AHJ (in areas other than Miami Dade County) reserve the right to have this product or material tested for quality assurance purposes. If this product or material fails to perform in the accepted manner, the manufacturer will incur the expense of such testing and the AHJ may immediately revoke, modify, or suspend the use of such product or material within their jurisdiction. RER reserves the right to revoke this acceptance, if it is determined by Miami-Dade County Product Control Section that this product or material fails to meet the requirements of the applicable building code.

This product is approved as described herein, and has been designed to comply with the Florida Building Code including the High Velocity Hurricane Zone of the Florida Building Code.

DESCRIPTION: GAF Master Flow® Pro1 Power Attic Ventilator Roof Mount (PR1D) Power Roof Vent

LABELING: Each unit shall bear a permanent label with the manufacturer's name or logo, city, state and following statement: "Miami-Dade County Product Control Approved", unless otherwise noted herein.

RENEWAL of this NOA shall be considered after a renewal application has been filed and there has been no change in the applicable building code negatively affecting the performance of this product.

TERMINATION of this NOA will occur after the expiration date or if there has been a revision or change in the materials, use, and/or manufacture of the product or process. Misuse of this NOA as an endorsement of any product, for sales, advertising or any other purposes shall automatically terminate this NOA. Failure to comply with any section of this NOA shall be cause for termination and removal of NOA.

ADVERTISEMENT: The NOA number preceded by the words Miami-Dade County, Florida, and followed by the expiration date may be displayed in advertising literature. If any portion of the NOA is displayed, then it shall be done in its entirety.

INSPECTION: A copy of this entire NOA shall be provided to the user by the manufacturer or its distributors and shall be available for inspection at the job site at the request of the Building Official.

This NOA revises NOA# 12-1102.01 and consists of pages 1 through 4.
The submitted documentation was reviewed by Alex Tigera.



NOA No.: 14-1224.15
Expiration Date: 02/24/18
Approval Date: 07/16/15
Page 1 of 4

ROOFING COMPONENT APPROVAL

Category: Roofing
Sub-Category: Ventilation
Material: G-90 Galvanized Steel (Aluminum Hood)
Minimum Slope: 2:12

TRADE NAMES OF PRODUCTS MANUFACTURED OR LABELED BY APPLICANT

<u>Product</u>	<u>Dimensions</u>	<u>Test Specification</u>	<u>Product Description</u>
GAF Master Flow® Pro1 Power Attic Ventilator Roof Mount (PR1D) Power Roof Vent	9.31" x 28.00" 0.020" thick Steel (Min. 0.028" thick for Aluminum Hood)	TAS 100	Powered Roof Vent, with fan and thermostat with a galvanized or aluminum hood.

MANUFACTURING LOCATION

1. Burgaw, NC.

EVIDENCE SUBMITTED

<u>Test Agency/Identifier</u>	<u>Name</u>	<u>Report</u>	<u>Date</u>
Celotex Corp. Testing Service	TAS 100(A)	520412	October 1999
PRI Asphalt Technology	TAS 100(A)	LLB-002-02-01	June 2002
PRI Construction Materials Technologies	TAS 100(A)	LLB-017-02-01	09/06/12



NOA No.: 14-1224.15
Expiration Date: 02/24/18
Approval Date: 07/16/15
Page 2 of 4

APPROVED APPLICATIONS

- Tradename:** GAF Master Flow® Pro1 Power Attic Ventilator Roof Mount (PR1D) Power Roof Vent
- System Type:** Mechanical attachment of static vent over asphalt shingle roof systems.
- Cutout:** Vent must be place 18” from ridgeline. At chosen location and centered between two roof rafters, cut a 15" diameter hole through shingles and sheathing boards.
- Using marked position as center point, scribe a circle that is the same diameter as the vent throat opening. Starting with the drill hole, cut vent hole.
- Installation:** Vents should be evenly spaced on the rear slope of the roof.
- Remove roofing nails from top row of shingles so the flashing of the roof vent will slide under shingles. Apply approved roof cement around the edge of the hole. Carefully slide base of vent under shingles with arrow facing up. Make sure the throat of the vent is centered over vent hole. Fasten the base to roof decking at corners, and approx. 4” o.c. 1” from the outside edge of the flange and 1” from stack every 45° with approved roofing nails, keeping heads of nails under shingles where possible. Use a minimum of 32 nails. Nails shall be of sufficient length to penetrate through roof sheathing a minimum of ½". See detail drawings herein. Seal all seams and nails with roofing cement.
- Net Free Area:** Refer to manufacturers published literature.

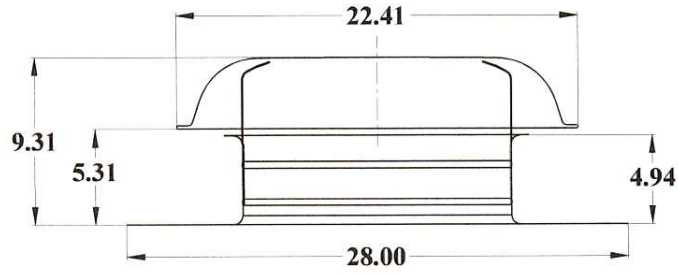
GENERAL LIMITATIONS:

1. Refer to applicable Building Code required ventilation.
2. For GAF Master Flow® Pro1 Power Attic Ventilator Roof Mount (PR1D) Power Roof Vent, thermostat and wiring shall be installed in compliance with GAF’s published instructions, and in accordance with applicable Building Codes.
3. This acceptance is for installations over asphalt shingle roof systems only.
4. GAF Master Flow® Pro1 Power Attic Ventilator Roof Mount (PR1D) Power Roof Vent shall not be installed on roof mean heights greater than 33 feet.
5. All products listed herein shall have a quality assurance audit in accordance with the Florida Building Code and Rule 61G20-3 of the Florida Administrative Code.
6. All approved products listed herein shall be labeled and shall bear the imprint or identifiable marking of the manufacturer's name or logo and following statement: "Miami-Dade County Product Control Approved" or the Miami-Dade County Product Control Seal as shown below.

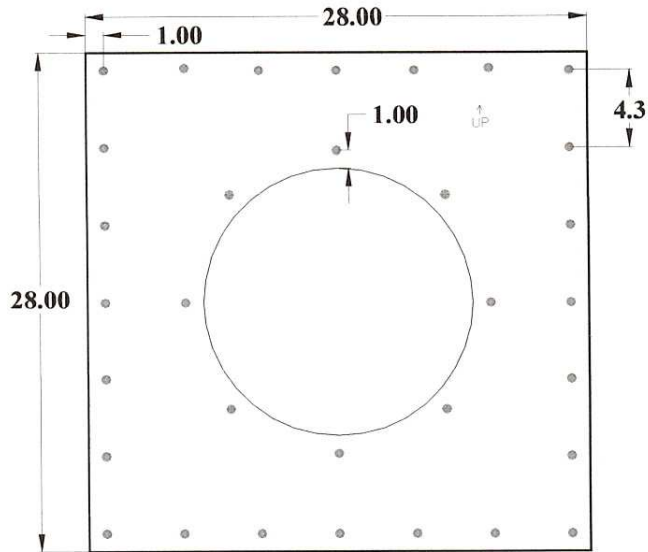


DETAIL DRAWINGS

GAF MASTER FLOW® PRO1 POWER ATTIC VENTILATOR ROOF MOUNT (PR1D) POWER ROOF VENT



ALL DIMENSIONS IN INCHES



END OF THIS ACCEPTANCE





DEPARTMENT OF REGULATORY AND ECONOMIC RESOURCES (RER)
BOARD AND CODE ADMINISTRATION DIVISION

NOTICE OF ACCEPTANCE (NOA)

MIAMI-DADE COUNTY
PRODUCT CONTROL SECTION
11805 SW 26 Street, Room 208
Miami, Florida 33175-2474
T (786)315-2590 F (786) 315-2599
www.miamidade.gov/economy

GAF
1 Campus Drive
Parsippany, NJ 07054

SCOPE:

This NOA is being issued under the applicable rules and regulations governing the use of construction materials. The documentation submitted has been reviewed and accepted by Miami-Dade County RER -Product Control Section to be used in Miami Dade County and other areas where allowed by the Authority Having Jurisdiction (AHJ).

This NOA shall not be valid after the expiration date stated below. The Miami-Dade County Product Control Section (In Miami Dade County) and/or the AHJ (in areas other than Miami Dade County) reserve the right to have this product or material tested for quality assurance purposes. If this product or material fails to perform in the accepted manner, the manufacturer will incur the expense of such testing and the AHJ may immediately revoke, modify, or suspend the use of such product or material within their jurisdiction. RER reserves the right to revoke this acceptance, if it is determined by Miami-Dade County Product Control Section that this product or material fails to meet the requirements of the applicable building code.

This product is approved as described herein, and has been designed to comply with the Florida Building Code including the High Velocity Hurricane Zone of the Florida Building Code.

DESCRIPTION: GAF Master Flow® Pro2 Power Attic Ventilator Roof Mount (PR2D) Power Roof Vent

LABELING: Each unit shall bear a permanent label with the manufacturer's name or logo, city, state and following statement: "Miami-Dade County Product Control Approved", unless otherwise noted herein.

RENEWAL of this NOA shall be considered after a renewal application has been filed and there has been no change in the applicable building code negatively affecting the performance of this product.

TERMINATION of this NOA will occur after the expiration date or if there has been a revision or change in the materials, use, and/or manufacture of the product or process. Misuse of this NOA as an endorsement of any product, for sales, advertising or any other purposes shall automatically terminate this NOA. Failure to comply with any section of this NOA shall be cause for termination and removal of NOA.

ADVERTISEMENT: The NOA number preceded by the words Miami-Dade County, Florida, and followed by the expiration date may be displayed in advertising literature. If any portion of the NOA is displayed, then it shall be done in its entirety.

INSPECTION: A copy of this entire NOA shall be provided to the user by the manufacturer or its distributors and shall be available for inspection at the job site at the request of the Building Official.

This NOA revises NOA No. 13-0409.12 and consists of pages 1 through 4.
The submitted documentation was reviewed by Alex Tigera.



NOA No.: 14-1224.16
Expiration Date: 10/31/18
Approval Date: 07/16/15
Page 1 of 4

ROOFING COMPONENT APPROVAL

Category: Roofing
Sub-Category: Ventilation
Materials: G-90 Galvanized Steel (Aluminum Hood)

TRADE NAMES OF PRODUCTS MANUFACTURED OR LABELED BY APPLICANT:

<u>Product</u>	<u>Dimensions</u>	<u>Test Specification</u>	<u>Product Description</u>
GAF Master Flow® Pro2 Power Attic Ventilator Roof Mount (PR2D) Power Roof Vent	10.47" x 27.5" 0.020" thick Steel (Min. 0.028" thick for Aluminum Hood)	TAS 100(A)	Powered roof ventilation system with a galvanized or aluminum hood.

MANUFACTURING LOCATION

1. Burgaw, NC.

EVIDENCE SUBMITTED:

<u>Test Agency/Identifier</u>	<u>Name</u>	<u>Report</u>	<u>Date</u>
Celotex Corp. Testing Service	PA 100(A)	520315-4	June 1999
PRI Asphalt Technology	TAS 100(A)	LLB-003-02-01	June 2002
PRI Asphalt Technology	TAS 100(A)	LLB-011-02-01	10/25/04



APPROVED APPLICATIONS

Tradename: GAF Master Flow® Pro2 Power Attic Ventilator Roof Mount (PR2D) Power Roof Vent

System Type: Mechanical attachment of static vent over asphalt shingle roof systems only.

Cutout: Vent must be placed 18" from ridge line. At chosen location and centered between two roof rafters, cut a 15" diameter hole through shingles and sheathing boards. Make a mark on the shingles 7" up the roof from the top of the cutout, and 7" to the right and left of the cutout edges.

Using marked position as center point; scribe a circle that is the same diameter as the vent throat opening. Starting with the drill hole, cut vent hole.

Installation: Vents should be evenly spaced on the rear slope of the roof.

Remove roofing nails from top row of shingles so the flashing of the roof vent will slide under shingles. Apply approved roof cement to the underside of the vent flange around the stack opening. Carefully slide base of vent under shingles with arrow facing up. Make sure the throat of the vent is centered over vent hole. Fasten the base to roof decking at corners, and approx. 4" o.c. 1" from the outside edge of the flange and 1" from stack every 45° with approved roofing nails, 12 gauge, 1 ¼" x ¾" galvanized annular ring shank roofing nails, keeping heads of nails under shingles where possible. Use a minimum of 32 nails. Nails shall be of sufficient length to penetrate through roof sheathing a minimum of ½". After fastening the vent flange to the deck, nail the loosened shingles and adhere with approved roofing cement. See detail drawings herein. Seal all seams and nails with roofing cement.

Net Free Area: Refer to manufacturer's published literature.

LIMITATIONS:

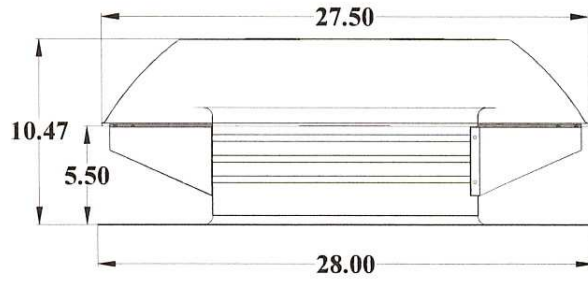
1. Refer to applicable Building Code for required ventilation.
2. For GAF Master Flow® Pro2 Power Attic Ventilator Roof Mount (PR2D) Power Roof Vent, thermostat and wiring shall be installed in compliance with GAF's published instructions, and in accordance with applicable Building Code requirements.
3. This acceptance is for installations over asphalt shingle roof systems only.
4. GAF Master Flow® Pro2 Power Attic Ventilator Roof Mount (PR2D) Power Roof Vent shall not be installed on roof mean heights greater than 33 feet.
5. All products listed herein shall have a quality assurance audit in accordance with the Florida Building Code and Rule 61G20-3 of the Florida Administrative Code.
6. All approved products listed herein shall be labeled and shall bear the imprint or identifiable marking of the manufacturer's name or logo and following statement: "Miami-Dade County Product Control Approved" or the Miami-Dade County Product Control Seal as shown below.



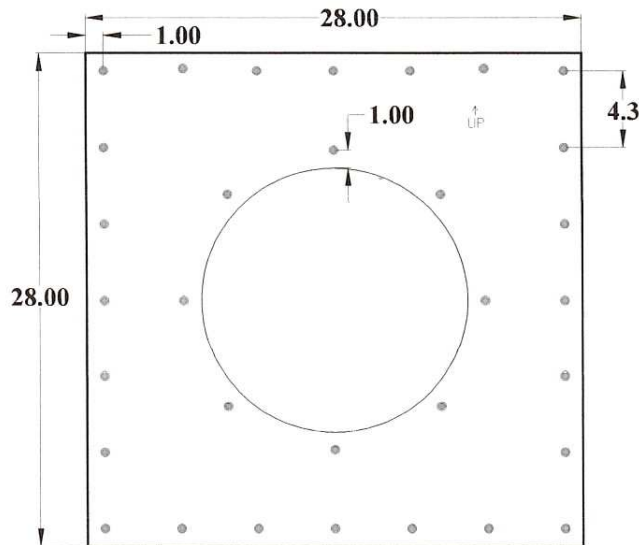
NOA No.: 14-1224.16
Expiration Date: 10/31/18
Approval Date: 07/16/15
Page 3 of 4

DETAIL DRAWINGS

GAF MASTER FLOW® PRO2 POWER ATTIC VENTILATOR ROOF MOUNT (PR2D) POWER ROOF VENT & NAILING PATTERN



ALL DIMENSIONS IN INCHES



END OF THIS ACCEPTANCE





DEPARTMENT OF REGULATORY AND ECONOMIC RESOURCES (RER)
 BOARD AND CODE ADMINISTRATION DIVISION

NOTICE OF ACCEPTANCE (NOA)

MIAMI-DADE COUNTY
 PRODUCT CONTROL SECTION
 11805 SW 26 Street, Room 208
 Miami, Florida 33175-2474
 T (786)315-2590 F (786) 315-2599
www.miamidadecounty.gov/economy

GAF
 1 Campus Drive
 Parsippany, NJ 07054

SCOPE:

This NOA is being issued under the applicable rules and regulations governing the use of construction materials. The documentation submitted has been reviewed and accepted by Miami-Dade County RER -Product Control Section to be used in Miami Dade County and other areas where allowed by the Authority Having Jurisdiction (AHJ).

This NOA shall not be valid after the expiration date stated below. The Miami-Dade County Product Control Section (In Miami Dade County) and/or the AHJ (in areas other than Miami Dade County) reserve the right to have this product or material tested for quality assurance purposes. If this product or material fails to perform in the accepted manner, the manufacturer will incur the expense of such testing and the AHJ may immediately revoke, modify, or suspend the use of such product or material within their jurisdiction. RER reserves the right to revoke this acceptance, if it is determined by Miami-Dade County Product Control Section that this product or material fails to meet the requirements of the applicable building code.

This product is approved as described herein, and has been designed to comply with the Florida Building Code including the High Velocity Hurricane Zone of the Florida Building Code.

DESCRIPTION: GAF Master Flow® Pro3 Power Attic Ventilator Roof Mount (PR3XD) Power Roof Vent

LABELING: Each unit shall bear a permanent label with the manufacturer's name or logo, city, state and following statement: "Miami-Dade County Product Control Approved", unless otherwise noted herein.

RENEWAL of this NOA shall be considered after a renewal application has been filed and there has been no change in the applicable building code negatively affecting the performance of this product.

TERMINATION of this NOA will occur after the expiration date or if there has been a revision or change in the materials, use, and/or manufacture of the product or process. Misuse of this NOA as an endorsement of any product, for sales, advertising or any other purposes shall automatically terminate this NOA. Failure to comply with any section of this NOA shall be cause for termination and removal of NOA.

ADVERTISEMENT: The NOA number preceded by the words Miami-Dade County, Florida, and followed by the expiration date may be displayed in advertising literature. If any portion of the NOA is displayed, then it shall be done in its entirety.

INSPECTION: A copy of this entire NOA shall be provided to the user by the manufacturer or its distributors and shall be available for inspection at the job site at the request of the Building Official.

This NOA revises NOA No. 13-0409.13 consists of pages 1 through 4.
 The submitted documentation was reviewed by Alex Tigera.



NOA No.: 14-1224.17
 Expiration Date: 10/31/18
 Approval Date: 07/16/15
 Page 1 of 4

ROOFING COMPONENT APPROVAL

Category: Roofing
Sub-Category: Ventilation
Materials: G-90 Galvanized Steel (Aluminum Hood)
Minimum Slope: 2:12

TRADE NAMES OF PRODUCTS MANUFACTURED OR LABELED BY APPLICANT:

<u>Product</u>	<u>Dimensions</u>	<u>Test Specification</u>	<u>Product Description</u>
GAF Master Flow® Pro3 Power Attic Ventilator Roof Mount (PR3XD) Power Roof Vent	9.48" x 27.5" 0.020" thick Steel (Min. 0.028" thick for Aluminum Hood)	TAS 100(A)	Powered roof ventilation system with a galvanized or aluminum hood.

MANUFACTURING LOCATION

1. Burgaw, NC.

EVIDENCE SUBMITTED:

<u>Test Agency/Identifier</u>	<u>Name</u>	<u>Report</u>	<u>Date</u>
Celotex Corp. Testing Service	PA 100(A)	520315-5	June 1999
PRI Asphalt Technology	TAS 100 (A)	LLB-004-02-01	June 2002
PRI Asphalt Technology	TAS 100 (A)	LLB-012-02-01	10/25/04



APPROVED APPLICATIONS

- Tradename:** GAF Master Flow® Pro3 Power Attic Ventilator Roof Mount (PR3XD) Power Roof Vent
- System Type:** Mechanical attachment of static vent over asphalt shingle roof systems only.
- Cutout:** Vent must be place 18" from ridgeline. At chosen location and centered between two roof rafters, cut a 17" diameter hole through shingles and sheathing boards. Make a mark on the shingles 7" up the roof from the top of the cutout, and 7" to the right and left of the cutout edges.
- Using marked position as center point; scribe a circle that is the same diameter as the vent throat opening. Starting with the drill hole, cut vent hole.
- Installation:** Vents should be evenly spaced on the rear slope of the roof.
- Remove roofing nails from top row of shingles so the flashing of the roof vent will slide under shingles. Apply approved roof cement to the underside of the vent flange around the stack opening. Carefully slide base of vent under shingles with arrow facing up. Make sure the throat of the vent is centered over vent hole. Fasten the base to roof decking at corners, and approx. 4" o.c. 1" from the outside edge of the flange and 1" from stack every 45° with approved roofing nails, 11 gauge, 1 1/4" x 3/8" galvanized annular ring shank roofing nails, keeping heads of nails under shingles where possible. Use a minimum of 32 nails. Nails shall be of sufficient length to penetrate through roof sheathing a minimum of 1/2". After fastening the flanges to the deck, nail the loosened shingles and adhere with approved roofing cement. See details drawings herein. Seal all seams and nails with roofing cement.
- Net Free Area:** Refer to manufacturer's published literature.

LIMITATIONS:

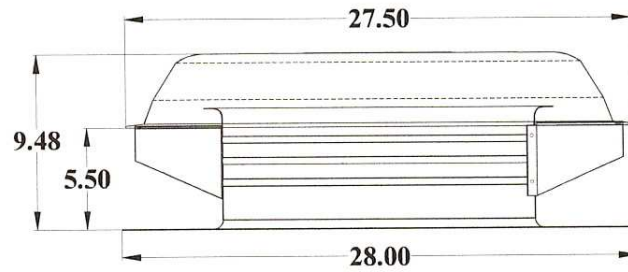
1. Refer to applicable Building Code for required ventilation.
2. For GAF Master Flow® Pro3 Power Attic Ventilator Roof Mount (PR3XD) Power Roof Vent, thermostat and wiring shall be installed in compliance with GAF's published instructions, and in accordance with applicable Building Code requirements.
3. This acceptance is for installations over asphalt shingle roof systems only.
4. GAF Master Flow® Pro3 Power Attic Ventilator Roof Mount (PR3XD) Power Roof Vent shall not be installed on roof mean heights greater than 33 feet.
5. All products listed herein shall have a quality assurance audit in accordance with the Florida Building Code and Rule 61G20-3 of the Florida Administrative Code.
6. All approved products listed herein shall be labeled and shall bear the imprint or identifiable marking of the manufacturer's name or logo and following statement: "Miami-Dade County Product Control Approved" or the Miami-Dade County Product Control Seal as shown below.



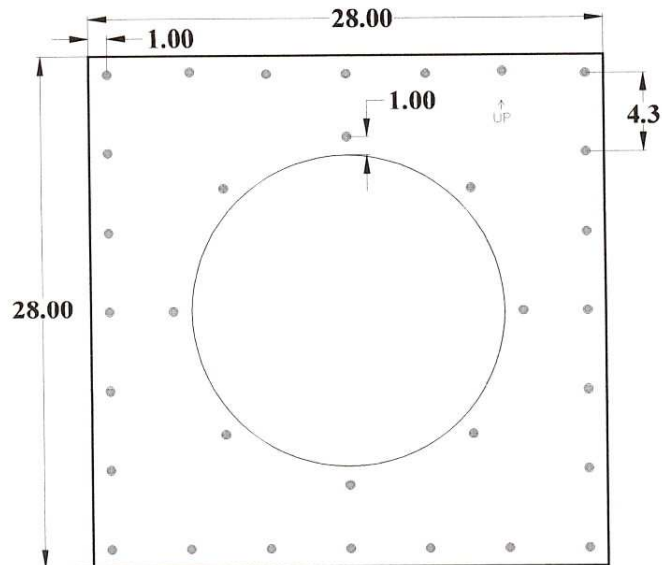
NOA No.: 14-1224.17
Expiration Date: 10/31/18
Approval Date: 07/16/15
Page 3 of 4

DETAIL DRAWINGS

GAF MASTER FLOW® PRO3 POWER ATTIC VENTILATOR ROOF MOUNT (PR3XD) POWER ROOF VENT & NAILING PATTERN



ALL DIMENSIONS IN INCHES



END OF THIS ACCEPTANCE



NOA No.: 14-1224.17
Expiration Date: 10/31/18
Approval Date: 07/16/15
Page 4 of 4



DEPARTMENT OF REGULATORY AND ECONOMIC RESOURCES (RER)
BOARD AND CODE ADMINISTRATION DIVISION

MIAMI-DADE COUNTY
PRODUCT CONTROL SECTION
11805 SW 26 Street, Room 208
Miami, Florida 33175-2474
T (786) 315-2590 F (786) 315-2599
www.miamidade.gov/economy

NOTICE OF ACCEPTANCE (NOA)

GAF
1 Campus Dr.
Parsippany, NJ. 07054

SCOPE:

This NOA is being issued under the applicable rules and regulations governing the use of construction materials. The documentation submitted has been reviewed and accepted by Miami-Dade County RER - Product Control Section to be used in Miami Dade County and other areas where allowed by the Authority Having Jurisdiction (AHJ).

This NOA shall not be valid after the expiration date stated below. The Miami-Dade County Product Control Section (In Miami Dade County) and/or the AHJ (in areas other than Miami Dade County) reserve the right to have this product or material tested for quality assurance purposes. If this product or material fails to perform in the accepted manner, the manufacturer will incur the expense of such testing and the AHJ may immediately revoke, modify, or suspend the use of such product or material within their jurisdiction. RER reserves the right to revoke this acceptance, if it is determined by Miami-Dade County Product Control Section that this product or material fails to meet the requirements of the applicable building code.

This product is approved as described herein, and has been designed to comply with the Florida Building Code including the High Velocity Hurricane Zone of the Florida Building Code.

DESCRIPTION: GAF Master Flow® Attic Exhaust Vent SSB960 – Slant-Back Metal Roof Louver (SSB960A) and Master Flow® Attic Exhaust Vent SSB960 – Slant-Back Metal Roof Louver (SSB960SC)

LABELING: Each unit shall bear a permanent label with the manufacturer's name or logo, city, state and following statement: "Miami-Dade County Product Control Approved", unless otherwise noted herein.

RENEWAL of this NOA shall be considered after a renewal application has been filed and there has been no change in the applicable building code negatively affecting the performance of this product.

TERMINATION of this NOA will occur after the expiration date or if there has been a revision or change in the materials, use, and/or manufacture of the product or process. Misuse of this NOA as an endorsement of any product, for sales, advertising or any other purposes shall automatically terminate this NOA. Failure to comply with any section of this NOA shall be cause for termination and removal of NOA.

ADVERTISEMENT: The NOA number preceded by the words Miami-Dade County, Florida, and followed by the expiration date may be displayed in advertising literature. If any portion of the NOA is displayed, then it shall be done in its entirety.

INSPECTION: A copy of this entire NOA shall be provided to the user by the manufacturer or its distributors and shall be available for inspection at the job site at the request of the Building Official.

This NOA revises NOA# 12-0809.01 and consists of pages 1 through 5.
The submitted documentation was reviewed by Alex Tigera.



NOA No.: 14-0414.08
Expiration Date: 01/13/18
Approval Date: 09/10/15
Page 1 of 5

ROOFING COMPONENT APPROVAL

Category: Roofing
Sub-Category: Ventilation
Material: Aluminum
Minimum Slope: 2:12

TRADE NAMES OF PRODUCTS MANUFACTURED OR LABELED BY APPLICANT:

<u>Product</u>	<u>Dimensions</u>	<u>Test Specification</u>	<u>Product Description</u>
GAF Master Flow® Attic Exhaust Vent SSB960 – Slant-Back Metal Roof Louver (SSB960A)	Vent Ht.: 4.93” Vent Width: 11.52” Vent Length: 15¼” Base: 16”x 20½” Min. Embossed Thickness: 0.025”	TAS 100(A)	Aluminum static louvered roof ventilation system
GAF Master Flow® Attic Exhaust Vent SSB960 – Slant-Back Metal Roof Louver (SSB960SC)	Vent Ht.: 4.93” Vent Width: 11.52” Vent Length: 15¼” Base: 16”x 20½” Min. Embossed Thickness: 0.025”	TAS 100(A)	Aluminum static louvered roof ventilation system with granule coating

MANUFACTURING LOCATION:

- Burgaw, NC

EVIDENCE SUBMITTED

<u>Test Agency/Identifier</u>	<u>Name</u>	<u>Report</u>	<u>Date</u>
Celotex Corporation Testing Services	520368	TAS 100(A)	August 1999
PRI Construction Materials	LLB-016-02-01	TAS 100(A)	10/16/07
	LLB-020-02-01	TAS 100(A)	03/10/14



APPROVED APPLICATIONS

- Tradename:** Master Flow[®] Attic Exhaust Vent SSB960 – Slant-Back Metal Roof Louver (SSB960A) and Master Flow[®] Attic Exhaust Vent SSB960 – Slant-Back Metal Roof Louver (SSB960SC)
- System Type:** Mechanical attachment of static vent over asphaltic shingles.
- Cutout:** Vents shall be installed 18” below the ridge line measured to the closest point of the vent to the ridge. Vents shall be evenly centered between rafters. Center the vent hole between rafters and mark a 10” circular outline for the vent opening on the roof.
- Starting at the marked circular outline, cut the 10” diameter hole through the deck sheathing.
- Installation:** Position the vent over the vent opening in the deck. Remove roofing nails from top row of shingles so that the top half of the flange is positioned beneath the shingles. Position the bottom half of the vent’s flange above shingles. Seal underside of vent’s flange with an approved sealant around the vent opening in the roof deck and inside the perimeter of the vent flange.
- Attach vent to roof deck with 12 ga. 1 ¼” galvanized ring shank nails placed 1” from the edge of the flange and 4” o.c. in all four sides of the vent flange perimeter. Seal all exposed nails with an approved sealant.
- Re-install shingles loosened or affected by vent installation, and shingles installed above the vent’s top flange with an approved sealant and in accordance with the applicable building code.
- Net Free Area:** Refer to manufacturers published literature.



GENERAL LIMITATIONS:

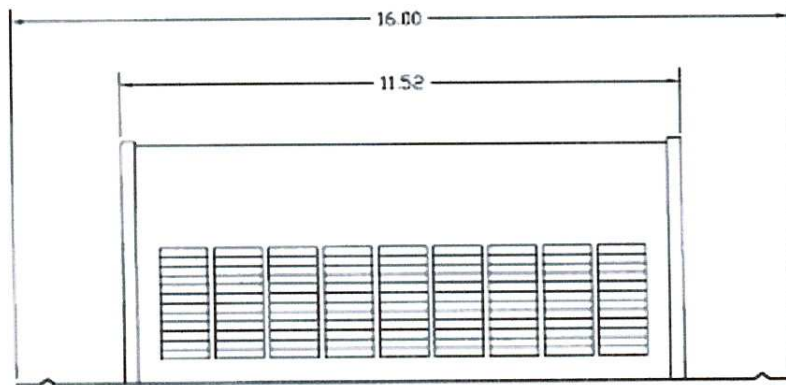
1. Master Flow® Attic Exhaust Vent SSB960 – Slant-Back Metal Roof Louver (SSB960A) and Master Flow® Attic Exhaust Vent SSB960 – Slant-Back Metal Roof Louver (SSB960SC) shall comply with the applicable Building Code. Refer to applicable building codes for required ventilation.
2. Master Flow® Attic Exhaust Vent SSB960 – Slant-Back Metal Roof Louver (SSB960A) and Master Flow® Attic Exhaust Vent SSB960 – Slant-Back Metal Roof Louver (SSB960SC) shall be installed over asphalt shingle roofs only.
3. Master Flow® Attic Exhaust Vent SSB960 – Slant-Back Metal Roof Louver (SSB960A) and Master Flow® Attic Exhaust Vent SSB960 – Slant-Back Metal Roof Louver (SSB960SC) shall not be installed on roof mean heights greater than 33 feet.
4. All products listed herein shall have a quality assurance audit in accordance with the Florida Building Code and Rule 61G20-3 of the Florida Administrative Code.
5. All approved products listed herein shall be labeled and shall bear the imprint or identifiable marking of the manufacturer's name or logo, city and state of manufacturing facility, and following statement: "Miami-Dade County Product Control Approved" or the Miami-Dade County Product Control Seal as shown below.



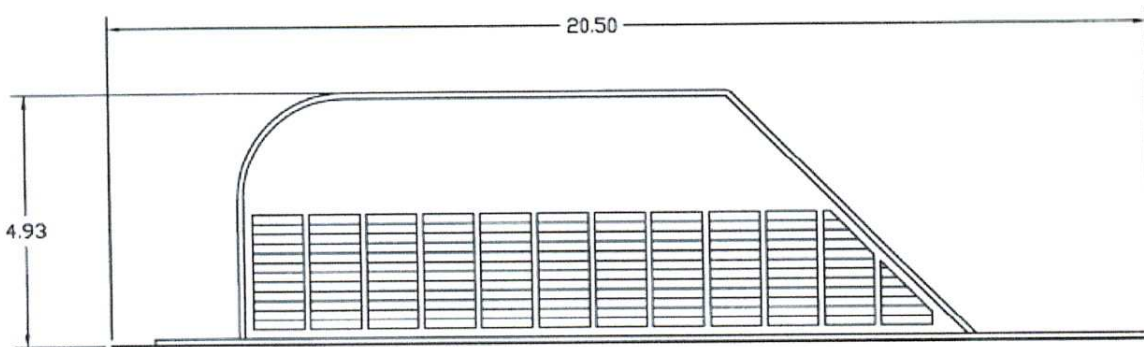
DETAIL DRAWINGS

**MASTER FLOW® ATTIC EXHAUST VENT SSB960 – SLANT-BACK METAL ROOF LOUVER (SSB960A) AND
MASTER FLOW® ATTIC EXHAUST VENT SSB960 – SLANT-BACK METAL ROOF LOUVER (SSB960SC)**

FRONT VIEW



SIDE VIEW



END OF THIS ACCEPTANCE



NOA No.: 14-0414.08
Expiration Date: 01/13/18
Approval Date: 09/10/15
Page 5 of 5