



Submittal Sheet #03040910

Trim Head Streaker

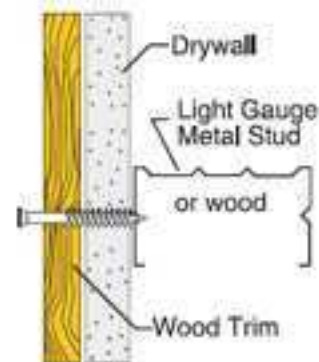
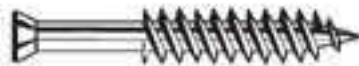
Product:	Item#	Description	Unit Pack
	17S100	Trim Head Streaker 7X 1", Bulk	10 M
	17P	Trim Head Streaker, #1 Phillips, 7X 1-5/8", Bulk	10 M
	17S	Trim Head Streaker 7X 1-5/8", Bulk	5 M
	18P	Trim Head Streaker, #1 Phillips, 7X 2-1/4", Bulk	5 M
	18S	Trim Head Streaker 7X 2-1/4", Bulk	4 M
	17S76	Trim Head Streaker 8X 3", Bulk	2 M

NOTE: "D" in the item # means "drill point" for penetrating 14-20 gauge steel

Application: The GRABBER Trim Head Streaker™ is used to attach wood or plastic trim over single and double layer gypsum to 20-25 gauge steel or wood. Use "SD" items when requiring a drill point for 14-20 gauge steel.

Description: Low profile trim head, #1 Phillips or #1 Square Recess Drive, Fine 18 TPI, grey phosphate finish with extra sharp point or drill point. Grabber Trim Steakers are available in GrabberGard® Exterior Finish and are ACQ Compliant.

Directions: Use standard screw gun with depth sensitive nose piece. Suggested screw gun for optimum performance is 4 amps minimum and 0 to 4,000 rpm. Trim head is completely seated when the head is flush or slightly counter sunk with the work surface. Overdriving may result in failure of the fastener or stripping of the head recess.





Submittal Sheet #03040910

SUBMITTAL APPROVALS:

JOB NAME

CONTRACTOR

DATE

TRADEMARKS:

The following trademark used herein is owned by John Wagner Associates, Inc.: GRABBER

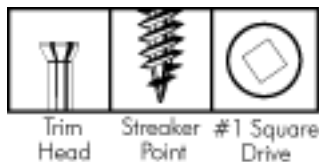
NOTICE:

We shall not be liable for incidental and consequential damages, directly or indirectly sustained, nor for any loss caused by application of these goods not in accordance with current printed instruction or for other than the intended use. Our Liability is expressly limited to replacement of defective goods. Any claim shall be deemed waived unless made in writing to us within thirty (30) days of the date it was or reasonably should have been discovered.



Submittal Sheet #03040910

Trim Head Streaker



Features:

Used to attach wood, metal or plastic trim to light gauge metal or wood. Streaker Point means quick and easy penetration while the smaller, less noticeable head provides a finished look.



PRODUCT SPECIFICATIONS

Fastener Classification	Exterior Wood, Light Gauge Metal, Heavy Gauge Metal
Fastener Head	Trim
Fastener Drive	#1 Phillips, #1 Square
Fastener Gauge	#7, #8
Fastener Point	Streaker, Drill
Fastener Package Type	Packaged Screws
Fastener Package Weight	1lb Box, 5 Pound, 5lb Box, Bulk Box

STANDARD CORROSION TEST RESULTS

Finish	Test	Standard/Protocol	Results
Black/Gray Phosphate	Salt Spray Results	ASTM B117	24 hours, no red rust
Yellow Zinc	Salt Spray Results	ASTM B117	48 hours, no red rust
Clear Zinc	Salt Spray Results	ASTM B117	24 hours, no red rust
Dracrotized	Salt Spray Results	ASTM B117	500 hours, no red rust
GrabberGard	Salt Spray Results	ASTM B117	1,000 hours, no red rust
GrabberGard	Kesternich Results	DIN 50018, 2.0L	15 cycles, no red rust

All GRABBER screw products are manufactured in facilities that are ISO 9002 and ISO 14001 certified and approved. The fasteners comply with SAE J78 and ASTM C 1002, as referenced in ICBO report ER-5280, and are approved for use by the Uniform Building Code. ©2005 John Wagner Associates, Inc. GRABBER®, STREAKER®, DRIVALL®, LOX™, GRABBERGARD®, and SCAVENGER® are registered names or trademarks by John Wagner Associates, Inc., dba Grabber Construction Products.