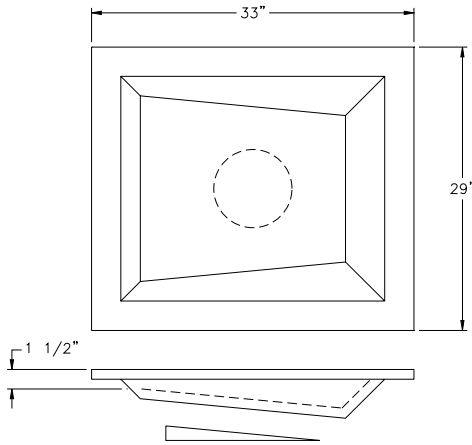


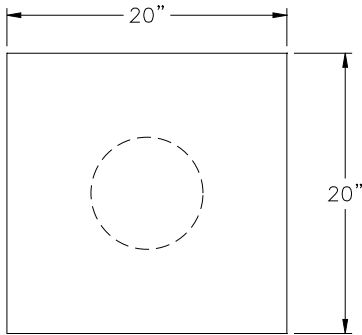
Roof Deck Accessories

Sump Pans & Plates

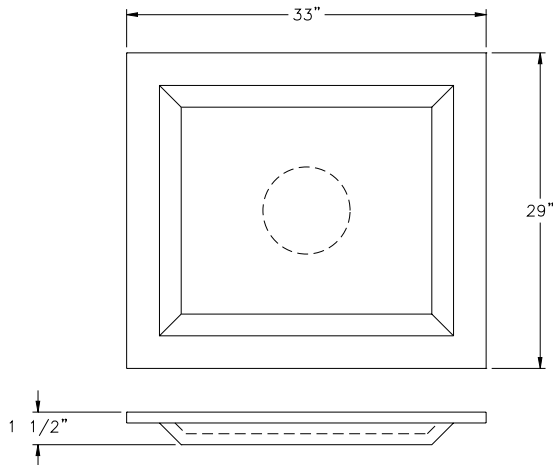
Our standard roof sump accessories are manufactured from 14 gauge galvanized steel and incorporate wide flanges to facilitate their attachment to the steel deck. Holes are to be field cut, with the dimensions as per the contract documents.



Sloping Recessed Pan



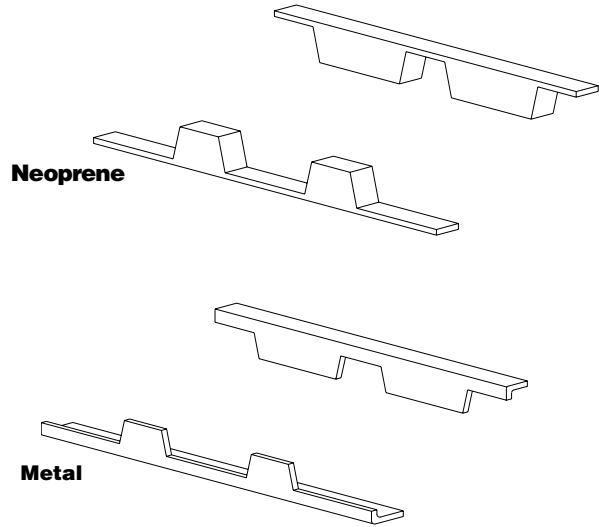
Flat Plate



Level Recessed Pan

Profile Closures

We offer steel and neoprene, small void and large void profile closures for our roof deck profiles.



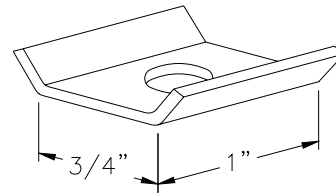
Neoprene

Metal

Weld Washers

Raised Edge Weld Washers

14 gauge x 3/8" dia. hole for welded attachment of CP-32.



Anchor Washers

16 gauge x 7/16" dia. hole for welded attachment of CP-32 where higher diaphragm shear values must be achieved.

