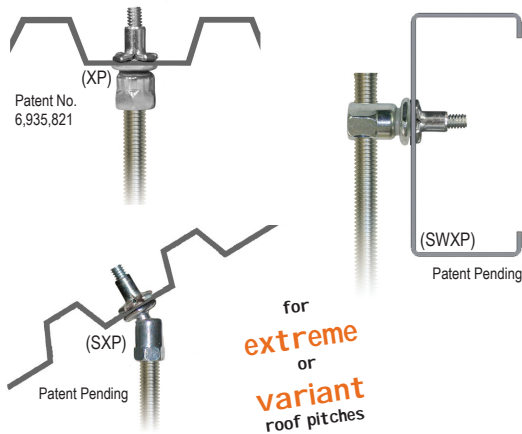


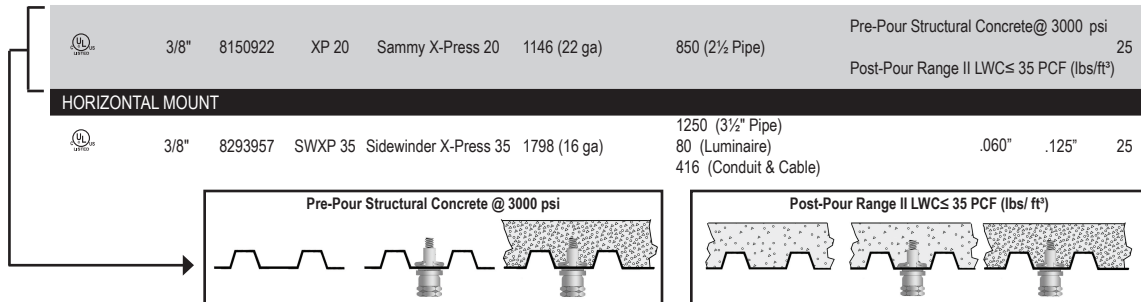
Sammy X-Press® *Installs into Metal Deck, Purlin, or Tubular Steel*



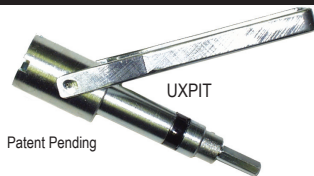
Product Features

- The **Sammy X-Press** expands to provide direct vertical attachment in:
 - Metal Deck (22-16 gauge)
 - Z-Purlin (18-16 gauge)
 - The **Sammy X-Press Swivel** allows you to hang plumb in extreme roof pitches:
 - 89° in Z-Purlin
 - 45° in metal deck for 12/12 pitch
 - The **Sammy X-Press Sidewinder** expands to provide horizontal attachment in:
 - 16 ga - 3/16" steel - purlin, tubular steel.
- Installs in seconds, saving time & installation costs.
 - Use in applications where access to the back of the installed fastener is prohibited. i.e. metal roof deck, tubular steel, or vapor barrier fabric.
 - Less jobsite material needed.
 - No retaining nut required.
 - Provides design flexibility.

Approvals	Rod Size	Part Number	Model	Description	Ultimate Pullout (lbs)	UL Test Load (lbs)	FM Test Load (lbs)	Min Thick	Max Thick	Box Qty	Case Qty	Application
VERTICAL MOUNT												
UL	1/4"	8181922	XP 200	X-Press 200	1146 (22 ga)	185 (Luminaire) 250 (Luminaire)		.027" .056"	.125"	25	125	Metal Deck
UL FM	3/8"	8150922	XP 20	X-Press 20	1146 (22 ga)	850 (2 1/2" Pipe) 185 (Luminaire) 250 (Luminaire) 283 (Conduit & Cable)	940 (2" Pipe) 1475 (4" Pipe)	.027" .027" .056"	.125"	25	125	Metal Deck
UL FM	3/8"	8153922	XP 35	X-Press 35	1783 (16 ga)	1500 (4" Pipe) 85 (Luminaire) 250 (Luminaire) 416 (Conduit & Cable)	940 (2" Pipe) 1475 (4" Pipe)	.060" .105" .027" .056"	.125"	25	125	Purlin
UL FM	3/8"	8294922	SXP 20	Swivel X-Press 20	1061 (22 ga Vertical) 829 (45° Off Vertical)	750 (2" Pipe) 170 vertical (Luminaire) 80 @ 45° (Luminaire) 283 vertical (Conduit & Cable) 233 @ 45° (Conduit & Cable)	635 (2" Pipe)	.027"	.125"	25	125	Metal Deck
UL FM	3/8"	8295922	SXP 35	Swivel X-Press 35	1675 (16 ga Vertical) 1558 (89° Off Vertical)	1500 (4" Pipe) 250 vertical (Luminaire) 80 @ 90° (Luminaire) 500 vertical (Conduit & Cable) 333 @ 89° (Conduit & Cable)	635 (2" Pipe)	.060"	.125"	25	125	Purlin
UL	3/8"	8150922	XP 20	Sammy X-Press 20	1146 (22 ga)	850 (2 1/2" Pipe)	Pre-Pour Structural Concrete @ 3000 psi Post-Pour Range II LWC ≤ 35 PCF (lbs/ft³)			25	125	Metal Deck (Pre-Pour) Metal Deck (Post-Pour)
HORIZONTAL MOUNT												
UL	3/8"	8293957	SWXP 35	Sidewinder X-Press 35	1798 (16 ga)	1250 (3 1/2" Pipe) 80 (Luminaire) 416 (Conduit & Cable)		.060"	.125"	25	125	Purlin



Sammy X-Press It® INSTALLATION TOOL



Part Number	Model	Description	Each Qty
8194910	UXPIT*	Universal X-Press It Tool	1
8195910	RXPIT	Retro Socket for 8151910	1
8152910	XPDB	25/64" Drill Bit	1

*Tool Includes: Sleeve, Bit Receiver, Hex Wrench, and 25/64" Drill Bit.



To watch a video demonstration of the Sammy X-Press, visit <http://www.sammysuperscrew.com/sammyxpress.htm>

