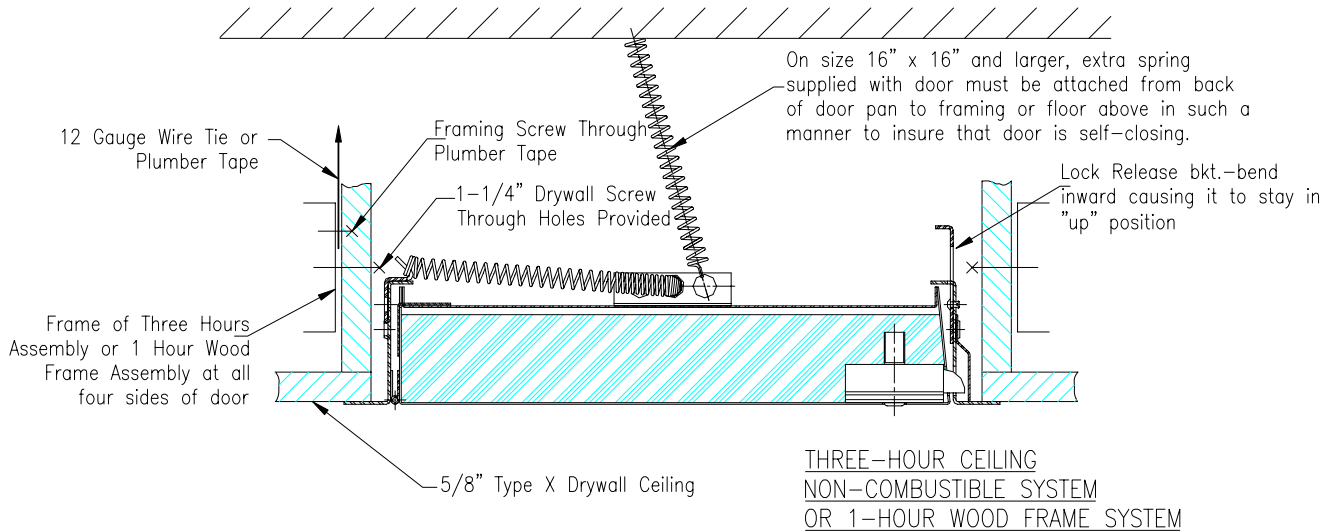


## Ceiling Installation Instructions for KRP-150FR & KRP-350FR (Per Warnock Hersey)

GYPSUM BOARD OR PLASTER WALLS



1. Install a frame of Three Hour Assembly or 1 Hour wood frame assembly at specified location of door. Opening dimensions should be 3/8" larger than catalog size of door; i.e., for a 12 x 12 door, opening should be 12 3/8 x 12 3/8.
2. Frame should be supported with 12 gauge wire ties or plumbers tape by attaching from framing screw to wood studs of flooring above or metal studying.(make sure wire hangs perpendicular)
3. The interior of the opening should be lined with 5/8" type x gypsum board, using screws spaced 18" o.c. maximum to the 1-5/8" track. Use a minimum of 2 screws per side. Screw length for steel is 1 1/8" and for wood it is 1 1/4".
4. Place door in position in opening and mark location of attachments on studding, using holes in latch and hinge sides of door frame as marking guides.
5. Remove door, and drill 5/32" holes through studding at points marked for attachment holes.
6. Place door in position (leaving masonry anchor straps flat against door frame) and attach with #10 drywall screws.
7. Check door panel for freedom of movement. If it binds, shim to remove any racking of frame at attachments to studding.
8. Door sizes 16" x 16" and larger are supplied with extra spring. It is the responsibility of the installer to attach this spring from the pan on back of door to framing of floor above to insure that door is self-closing
9. Before installing door, bend 'lock release' bracket inward causing it to stay in 'up' position.
10. In order to insure that door is self-closing it must be released from at least 60 degrees from horizontal.
11. When mounting access panels with galvanized beaded frame (instead of 1" steel trim), use drywall cement to cover and conceal the flange at the same time wall board joints and corners are being cemented.

**\*NOTE: ALL FIRE-RATED ACCESS DOORS ARE SELF-CLOSING.**