



# FLOOR ACCESS PANEL

## Model KAFA

### Recessed 1/8" Smooth Aluminum

**For All Types of Construction**



**KARP ASSOCIATES, INC.**  
 84-84 43rd Street, Maspeth, NY 11378  
 (718) 784-2105 - Phone  
 (718) 784-8189 - Fax

**DATE**

#### SPECIFICATIONS

##### GENERAL SCOPE:

Access doors shall be Karp Type KAFA as manufactured by Karp Associates, Inc., Maspeth, N.Y. Sizes shall be as indicated on the drawings.

##### CONSTRUCTION:

1. Panels shall be 1/4" 6061-T661 aluminum with the following options: recessed 1/8", flush smooth plate, flush-diamond plate.
2. Frame shall be 6063-T5 extruded aluminum with die cast corner connectors and shall be installed with rubber cork strip seal.
3. Panel shall be secured with 10-24 x 3/4 stainless steel FHMS screws.

##### STANDARD SIZES

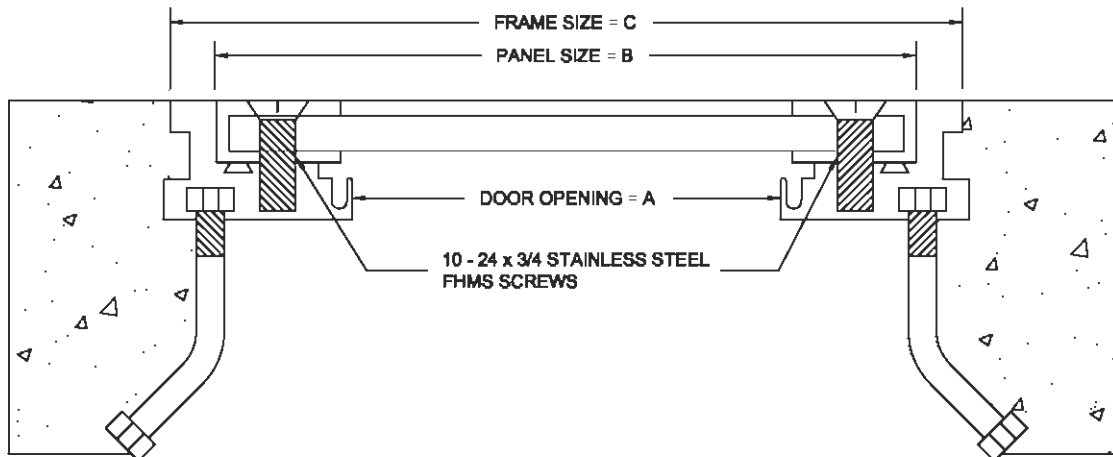
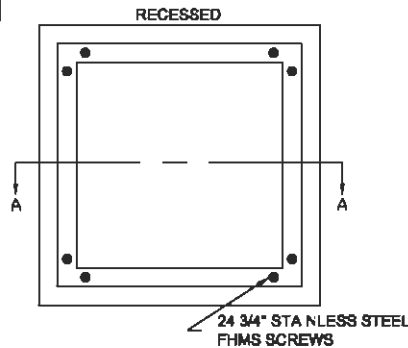
A DOOR SIZE H X W (IN.)	B PANEL SIZE (IN.)	C FRAME SIZE H X W (IN.)	SHIP WT. (LBS.)
12 x 12	13 1/2 x 13 1/2	14 x 14	11.0
18 x 18	16 1/2 x 19 1/2	20 x 20	19.0
24 x 24	25 1/2 x 25 1/2	26 x 26	29.0
30 x 30	31 1/2 x 31 1/2	32 x 32	53.0
36 x 36	37 1/2 x 37 1/2	38 x 38	75.0

#### PROJECT DATA

<b>Project Name:</b>
<b>Architect:</b>
<b>Contractor:</b>
<b>Agent/Customer Name:</b>
<b>Tagging Instructions:</b>
<b>Special Instructions:</b>

#### PROJECT SCHEDULE

Qty.	H	W	Finish	Remarks



SECTION A-A