

## Single Slope Roof — INSTALLATION INSTRUCTIONS

Congratulations on your purchase of the OW-4 Shingle Over Vent. The **Omni-Wall™** Vent is an exhaust vent that will help rid your attic of damaging heat and moisture when properly installed and used in conjunction with intake vents located near the lower part of the attic space.

**NOTE: Most codes concerning residential attic ventilation require a balanced system of 50% exhaust ventilation and 50% intake ventilation. When this balanced system is used, the Lomanco® Omni-Wall™ meets or exceeds residential attic ventilation codes.**

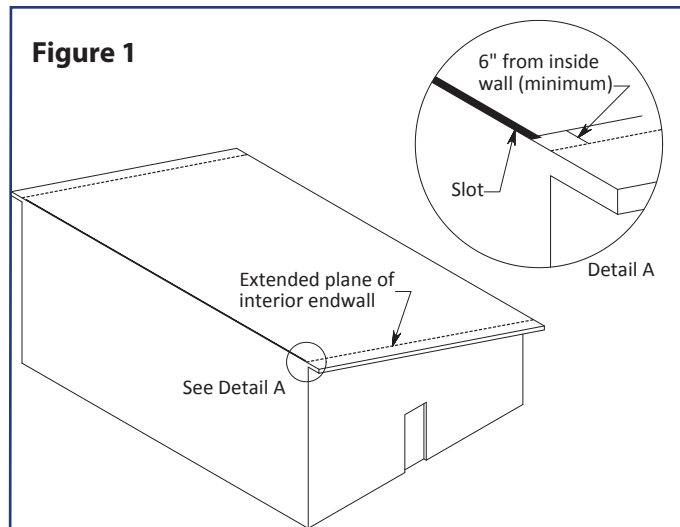
**Important! Read ALL instructions thoroughly before attempting to install the Omni-Wall™ Vent.**

**STEP 1.** — The Omni-Wall™ Vent will look better if it extends the entire length of the roof and therefore blends in with the roof line. Measure the length of the roof peak to determine the total length of OW-4 Vent required.

**NOTE: DO NOT cut the hole the entire length of the ridge. The length of the cut will be one (1) foot less than the length between the end walls or one (1) foot less than the length of the vent being installed, whichever is shorter.**

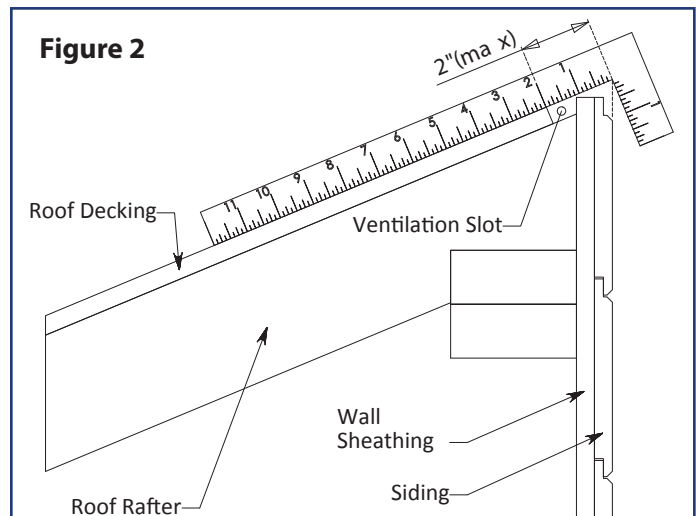
**STEP 2.** — If shingles are already installed, remove the top row of shingles and all flashing or drip edge the entire length of the attic space to be vented. Do not install the top row of shingles on new construction. Remove the fascia board from the top edge of the wall.

**STEP 3.** — The length of the cut should end 6 inches inside each end wall as shown in **Figure 1**. The width of the ventilation slot should be a minimum of  $\frac{3}{4}$ " wide. The bottom edge of the ventilation slot should not exceed 2" from the ridge peak when measured horizontally from the ridge peak as shown in **Figure 2**. Measuring from the peak of the roof, mark the width of the slot with a chalk line to ensure a straight cut. Also, mark the ends of the cut. The hole is best cut with a circular saw taking care to set the depth of the cut to avoid cutting any rafters. Cut the ventilation slot and remove the cut decking.



**NOTE: The decking should be cut parallel to the peak of the roof to ensure proper width of the ventilation slot.**

If necessary, the top of the wall sheathing and siding can be cut and removed to create the minimum ventilation slot of  $\frac{3}{4}$ ". **DO NOT** exceed the 2" maximum dimension from the ridge peak to the bottom edge of the ventilation slot.



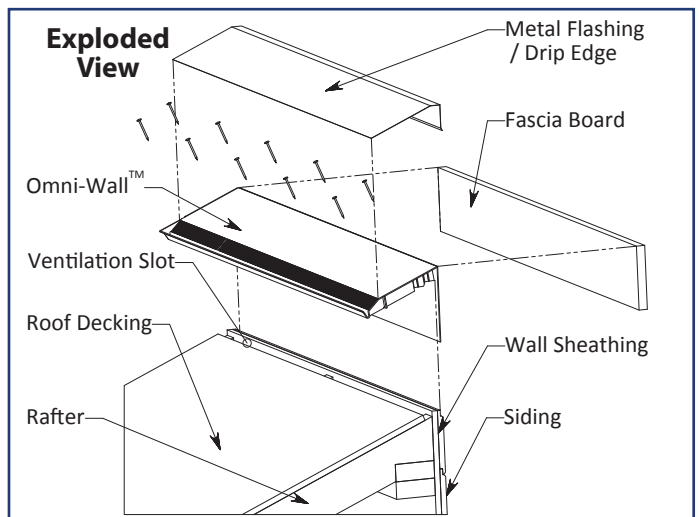
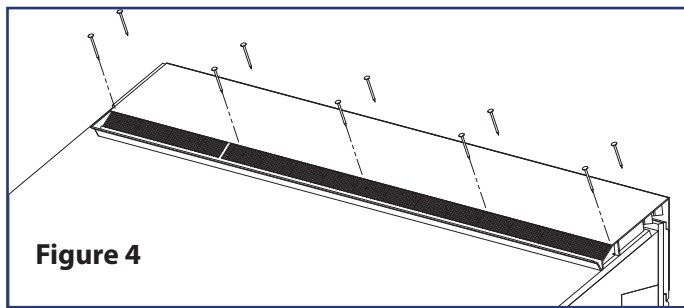
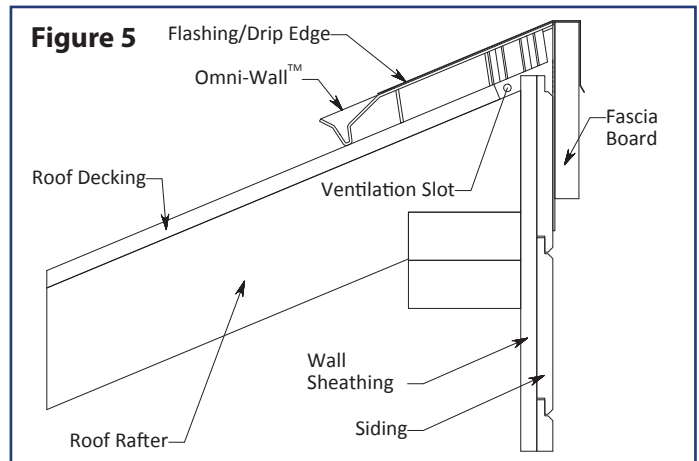
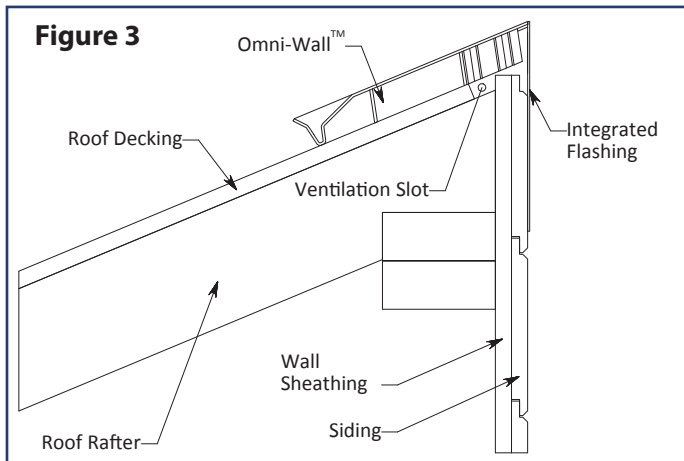
**STEP 4.** — It is very important that the Omni-Wall™ Vent be aligned correctly and evenly down the roof's peak. Place the first piece of the Omni-Wall™ Vent on the roof decking as intended to be installed. Mark the shingles at the location of the lower edge of the vent. Repeat this on the other end. Snap a chalk line down the roof and use the chalk line to help keep the OW-4 Vent straight and parallel to the roof peak.

**STEP 5.** — Additional end plugs are not necessary because of the unique, pre-molded internal end plugs. The end plugs are designed to fit most roof pitches. There are no additional connection plugs or straps. The Omni-Wall™ Vent is made with alignment tabs at each end. One end has a  $\frac{3}{8}$ " long under lap and the other end is recessed to receive the under lap. Place the first piece flush with the end of the roof. Continue to mate the ends together for the entire length of the top edge of the roof. This will help to ensure that all of the vents are as straight as possible.

**STEP 6.** — Starting with the first vent, fold the integrated flap (flashing) down over the peak. Position the Omni-Wall™ Vent with the integrated flap (flashing) flat against the wall as shown in **Figure 3**. Use two rows of nails to fasten the lower portion of the Omni-Wall™ Vent to the deck. Nails should be a minimum of 2" long. Use the five nail holes provided for the first row and nail 3" above them for the second row, as shown in **Figure 4**.

Apply a generous bead of sealant near the bottom of the integrated flap (flashing), press the flap against the wall and secure using roofing nails. If the vent is being installed in very cold weather, leave a  $\frac{1}{8}$ " gap between each vent to allow for expansion in hot weather. Continue to install the

## Single Slope Roof — INSTALLATION INSTRUCTIONS



remaining vents ensuring the ends overlap properly. Take care to keep the vents as straight as possible while nailing. The last piece may have to be cut to the proper length. Be sure that the end plug is on the outside end of the last piece if the piece was cut. Seal the gap between the upper end of the accordion end plug and the flashing with a generous amount of sealant.

**STEP 7.** — Install the fascia board over the integrated flap. Install metal flashing / drip edge beginning just behind the louvers and extending over the peak and down to cover the gap where the integrated flap runs behind the fascia board as shown in **Figure 5**.

Install new cap shingles on top of the Omni-Wall™ Vent and nail through the Omni-Wall™ Vent. Apply sealant under the upper edge of the cap shingles and behind the upper edge of the cap shingles to minimize water seeping under the shingles.

### LIMITED LIFETIME WARRANTY

Lomanco, Inc., warrants to you, the original owner of the OmniWall™, when installed in conjunction with new shingles and in strict accordance with Lomanco's written installation instructions, the OmniWall™ is free from manufacturing defects for the lifetime of the original owner, or for a shorter period of time equal to the warranty period of the new shingles. This warranty may be transferred by the original purchaser to a new homeowner. The warranty will then cover a period of 50 years from the original installation date or the warranty period of the shingles, whichever is shorter. This warranty does not cover damage of any kind resulting from improper application, improper installation, fire, flood, earthquake, storm, tornado, or other acts of God. Lomanco's lifetime warranty is expressly limited to the owner of a single family residence at the time of initial installation. This warranty will be limited to 50 years or the warranty period of the shingles, whichever is shorter, for installations on buildings other than single family residences. Should any manufacturing defect occur during the warranty period, Lomanco, Inc., at its sole discretion, will either (a) provide replacement part(s) for that portion of the product deemed to be defective (not to include labor costs incurred in removing the defective part(s) or installing the replacement part(s)), or (b) if Lomanco, Inc. is unable to provide replacement part(s) within a reasonable time, or at the consumer's discretion, refund the consumer for the defective part(s) in an amount equal to the sum of the actual purchase price of the defective part(s).

## THREE MUST DO Steps to attic ventilation

- 1** **Install all Exhaust Ventilation at the SAME HEIGHT within a common attic area.**

Installation of exhaust vents at more than one level on a roof allows the upper exhaust vent to pull air in from lower exhaust vents rather than from the intake vents. Intake air must come from intake vents located near the lower part of the attic space to properly ventilate the total attic area and eliminate weather infiltration.

**Install ONLY ONE TYPE of Exhaust Ventilation within a common attic area.**
- 2** Exhaust Vents pull air from the easiest intake source. Vent types cannot be mixed. The use of different types of exhaust vents could make one of the vents act as intake for the other. Intake air must come from intake vents located near the lower part of the attic space to properly ventilate the total attic area and eliminate weather infiltration.

**Install a BALANCED SYSTEM of Intake and Exhaust Ventilation.**
- 3** **50% Intake Ventilation** - Intake vents located near the lower part of the attic area are required to balance out your ventilation system.

**50% Exhaust Ventilation** - Use a Lomanco Ventilation Selector Guide, or the calculators at [lomanco.com](http://lomanco.com) to determine the number of vents needed to properly ventilate an attic to meet the Ventilation Minimum Property Standard.