

HIP & RIDGE SHINGLE INSTALLATION INSTRUCTIONS



222 EZ•RIDGE™ &
224 EZ•RIDGEXT™



225 HIP & RIDGE STRIPS
227 HIP & RIDGE STRIPS



Malarkey
Roofing Products™
Defining Excellence.™

WWW.MALARKEYROOFING.COM

GUIDE TO INSTALLING MALARKEY HIP & RIDGE SHINGLES

MALARKEY HIP AND RIDGE SHINGLES

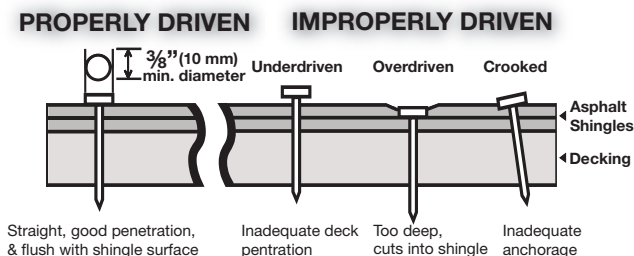
	HIGH PROFILE		FLAT PROFILE	
	222 EZ-RIDGE™	224 EZ-RIDGE XT™ <i>featuring Scotchgard™ Algae Resistant Roofing System from 3M</i>	225 HIP & RIDGE STRIPS SBS-MODIFIED FIBERGLASS <i>featuring Scotchgard™ Algae Resistant Roofing System from 3M</i>	227 HIP & RIDGE STRIPS SBS-MODIFIED FIBERGLASS <i>featuring Scotchgard™ Algae Resistant Roofing System from 3M</i>
width	8" (203.2 mm)	10" (254.0 mm)	9 7/8" (250.8 mm)	12" (304.8 mm)
length	11 1/2" (292.1 mm)	11 1/2" (292.1 mm)	13 1/4" (336.5 mm)	13 1/4" (336.5 mm)
exposure	8 1/4" (209.6 mm)	8 1/4" (209.6 mm)	5 5/8" (142.9 mm)	5 5/8" (142.9 mm)

ALL MALARKEY HIP AND RIDGE SHINGLES INCLUDE A FACTORY-APPLIED, THERMALLY ACTIVATED SEAL DOWN ADHESIVE THAT PROVIDES ADDITIONAL PROTECTION AGAINST BLOW OFF.

FASTENER INSTRUCTIONS

Nails must be galvanized 12 gauge with 3/8" (10 mm) head or the equivalent corrosion resistant roofing nail, and must be sufficient in length to penetrate through the roof deck or into the deck a minimum 3/4" (19.05mm).

Fasteners must not be over driven to cut into shingles or under-driven. Fasteners must be seated flush to shingle surface, as illustrated. Nails should penetrate through all layers of shingles.



Staples are not an acceptable fastener.

HIP & RIDGES

Malarkey ridge shingles are recommended for all Malarkey shingle roofs. Apply Malarkey Standard Ridge (Hip and Ridge Strips™) or High Profile Ridge Shingles (EZ Ridge™ or EZ Ridge XT™) beginning at the bottom of the hip or at the ridge opposite the direction of the prevailing winds. Complete hips before ridges. Use two nails per shingle with one nail on each side, 1" (25mm) from the edge so succeeding shingles conceal nail head.

Marking a chalk line will help in maintaining a straight line with the installation of the ridge shingles.

2 | GUIDE TO MALARKEY HIP AND RIDGE SHINGLES

To avoid damage to hip & ridge shingles in cold weather, Malarkey recommends warming shingles sufficiently to prevent damage during installation.

Shingles with the Scotchgard™ Algae Resistant Roofing System from 3M require ridge shingles with the Scotchgard™ Algae Resistant Roofing System from 3M.

WIND RESISTANCE

Malarkey shingles have a thermal sealant that bonds the shingles together after application when exposed to the sun and warm temperatures. Shingles installed in Fall or Winter may not seal until the following Spring.

Shingles may not seal if damaged before sealing, not exposed to adequate ambient temperatures, or if sealant gets dirty. Failure to seal under these adverse circumstances is not a manufacturing defect.

In high wind areas and to ensure immediate sealing, each ridge shingle may be sealed down with shingle tab adhesive on each side or face nailed.

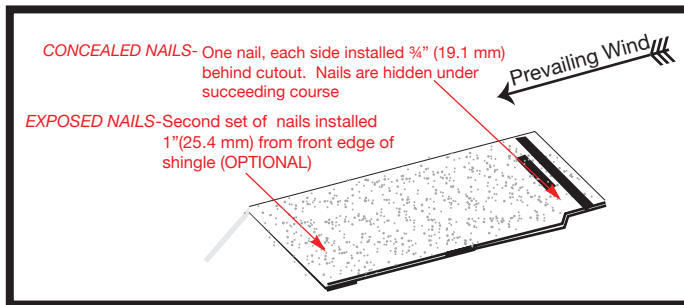
Note: Avoid excessive use of adhesive under shingles as it may cause blistering.

EZ-RIDGE INSTALLATION

THE EZ-RIDGE™ AND EZ-RIDGE XT™ SHINGLE ARE "HIGH PROFILE" SHINGLES AND ADD DIMENSION TO THE ROOFLINE FOR AN IMPROVED APPEARANCE

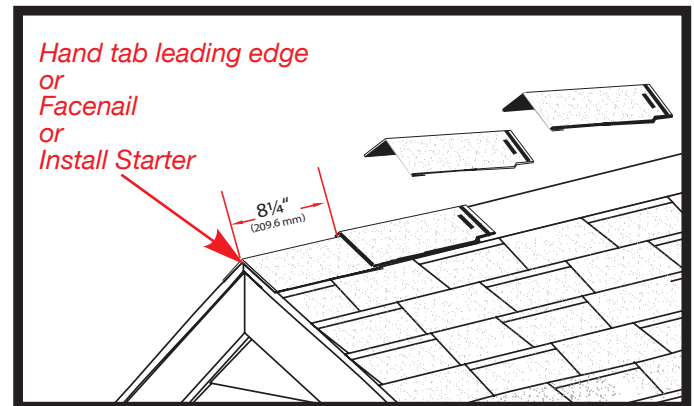
HIP AND RIDGE INSTALLATION

Remove ridge shingles from carton and place on roof ridge in position over installed field shingles. Overlap all ridges to the cutout (always maintaining exposure of hip or ridge at 8¼"/209.6 mm). Push down on center of shingle and nail to fit exact pitch of roof. The entire shingle should be aligned with the underlying cutout.

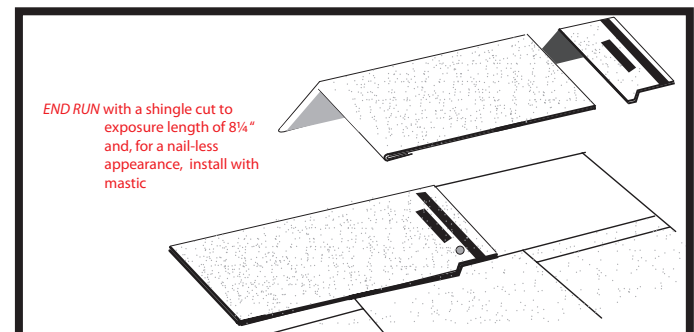


Concealed Nails: Install one (1) nail on each side of the hip & ridge shingle ¼" behind the cut out (not on the exposed part of the shingle). Use a ⅝" head non-corrosive roofing nail, long enough to penetrate all layers and attach the shingle to the roof deck.

Exposed Nails: Install one (1) nail one inch back from the front edge of the shingle. Use a ⅝" head non-corrosive roofing nail sufficiently long enough to penetrate all layers and attach the shingle to the



Continue run up hip or across ridge.

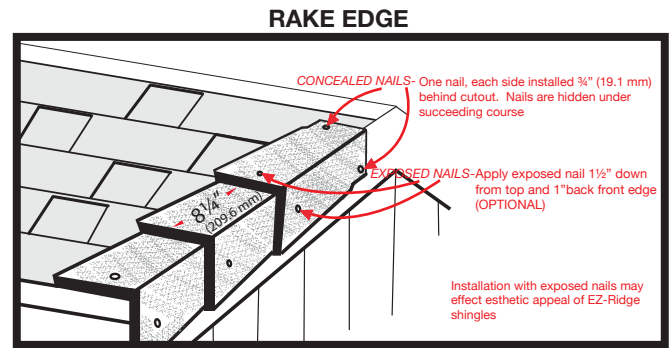


At last shingle in the run, remove the cutout end of an EZ-Ridge shingle and trim to fit maintaining the 8¼" (209.5mm) exposure. Set shingle in mastic.

RAKE EDGE INSTALLATION

EZ-Ridge shingles can also be installed on rake edges.

Follow EZ-Ridge installation instructions, with these exceptions: always start at the low end of the roof with the high profile end in the lowest position.

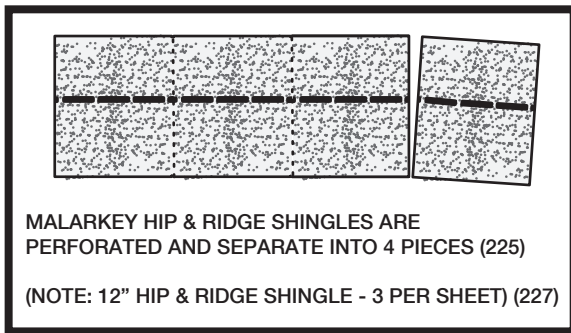


HIP & RIDGE STRIPS INSTALLATION

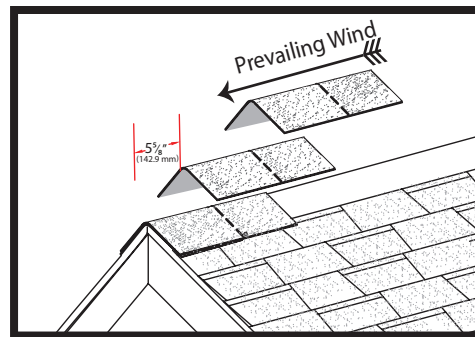
MALARKEY ROOFING PRODUCTS™ OFFERS A CHOICE OF HIP & RIDGE STRIPS™ THAT FEATURE THE SCOTCHGARD™ ALGAE RESISTANT ROOFING SYSTEM FROM 3M.

A COMPLETE SCOTCHGARD ROOF CARRIES A 20-YEAR WARRANTY AGAINST DISCOLORATION OR STAINING DUE TO ALGAE GROWTH. SEE WARRANTY FOR COMPLETE DETAILS.

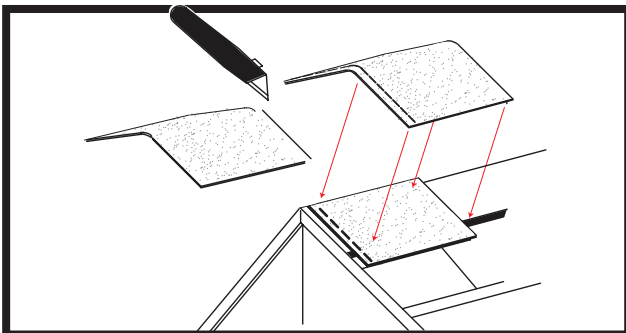
Prepare for application by removing shingles from packaging and separate Hip & Ridge Strips at perforation.



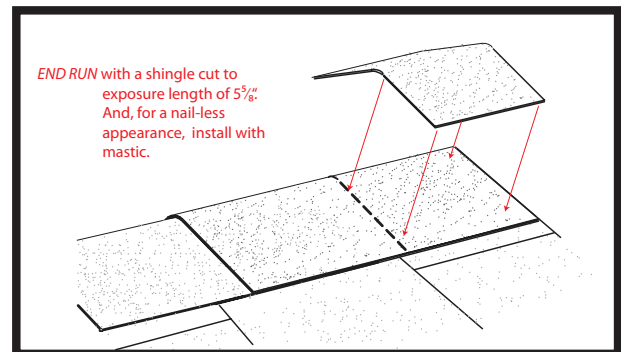
the edge and below the seal down. Each succeeding shingle should conceal nail heads.



Apply Malarkey Hip and Ridge shingles beginning at bottom of the hip or from the end of the ridge opposite the direction of the prevailing winds.



Continue installing ridge shingle with a maximum exposure of 5 5/8" and fastening with one (1) nail on each side, 1" (25 mm) in from each edge. Nail placement will allow for concealment of nail head with next course.



Starter: cut the 5 5/8" exposed portion of a Hip & Ridge Strip. Use the remainder (7 5/8") portion as a starter. Fasten approximately 3" in from roof edge. Lay first full Hip & Ridge Strip even with ridge starter shingle. Use two nails per shingle, with one nail on each side approximately 1" (25 mm) in from

Trim the seal down end of a Hip & Ridge Strip to fit at end, maintaining the exposure length of 5 5/8" (149.2mm). Set shingle in mastic.