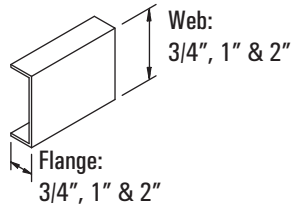


SYSTEM ACCESSORIES

COLD ROLLED CHANNEL



USE: Mechanical bridging for studs and applications involving metal lath and plaster.

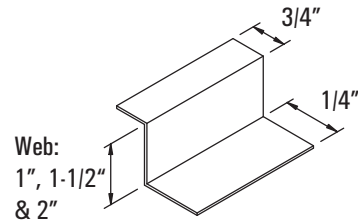
AVAILABLE DEPTHS:
3/4", 1-1/2"

AVAILABLE GAUGES:
16 gauge

PACKAGING:
500 pieces per skid

STOCK LENGTHS:
10 & 16 Ft.
Other lengths available upon request.

Z-FURRING CHANNEL



USE: For attachment of rigid insulation and wallboard to masonry walls.

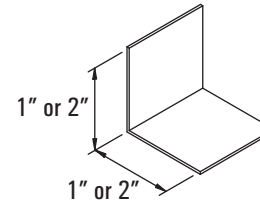
AVAILABLE DEPTHS:
1" (1), 1-1/2" (112) & 2" (2)

AVAILABLE GAUGES:
25, 20, 18, 16, 14 & 12 gauge

PACKAGING:
1,000 pieces per skid

STOCK LENGTHS:
10 Ft.
Other lengths available upon request.

UTILITY ANGLE



USE: For miscellaneous attachments of intersecting framing components and right angle corner enclosures at lapped framing conditions.

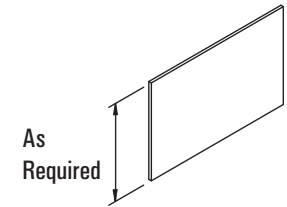
AVAILABLE SIZES:
1-1/2" x 1-1/2", 2" x 2"

GAUGES:
25, 20

PACKAGING:
1,000 pieces per skid

STOCK LENGTHS:
10 Ft.
Other lengths available upon request.

FLAT STRAPS



USE: Tension component. Backing plates for wall mounted fixtures, railings, Stud bridging, etc.

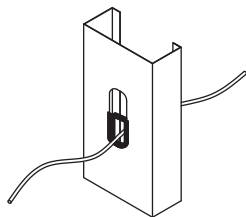
AVAILABLE SIZES:
4", 6"

GAUGES:
25, 22, 20, 18, 16, 14 & 12

PACKAGING:
500 pieces per skid

STOCK LENGTHS:
10 Ft.
Other lengths available by special order
Product furnished decoiled.

GROMMET



USE: Designed to fit into knockout of studs. Easy snap-in fit. No tools required. Protects wiring from edge of knockout

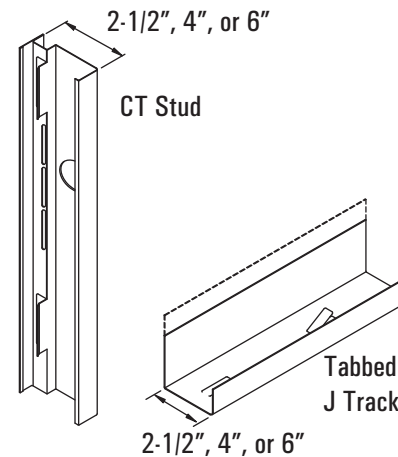
PACKAGING:
50 pieces per bag
1000 bags per carton

TIE WIRE



USE: Tie wire is used to support suspended cold rolled channel gridwork for stucco, plaster, acoustical or drywall ceilings. Available in several gauges.

SHAFTWALL METAL PRODUCTS



Please refer to our Shaftwall Catalog for more information on these products.

AREA SEPARATION WALL

