



The National Roofing Contractors Association (NRCA) is providing construction details as examples of quality installations for the specific roof or waterproofing material or system within BuildSite's Product Category listing in which you are searching.

The roof system construction details are from The NRCA Roofing Manual series, which was launched in 2007. The volumes in the series are *The NRCA Roofing Manual: Membrane Roof Systems—2007*, *The NRCA Roofing Manual: Metal Panel and SPF Roof Systems—2008*, *The NRCA Roofing Manual: Steep-slope Roof Systems—2009* and *The NRCA Roofing Manual: Sheet Metal Flashing, Moisture Control and Reroofing—2010*.

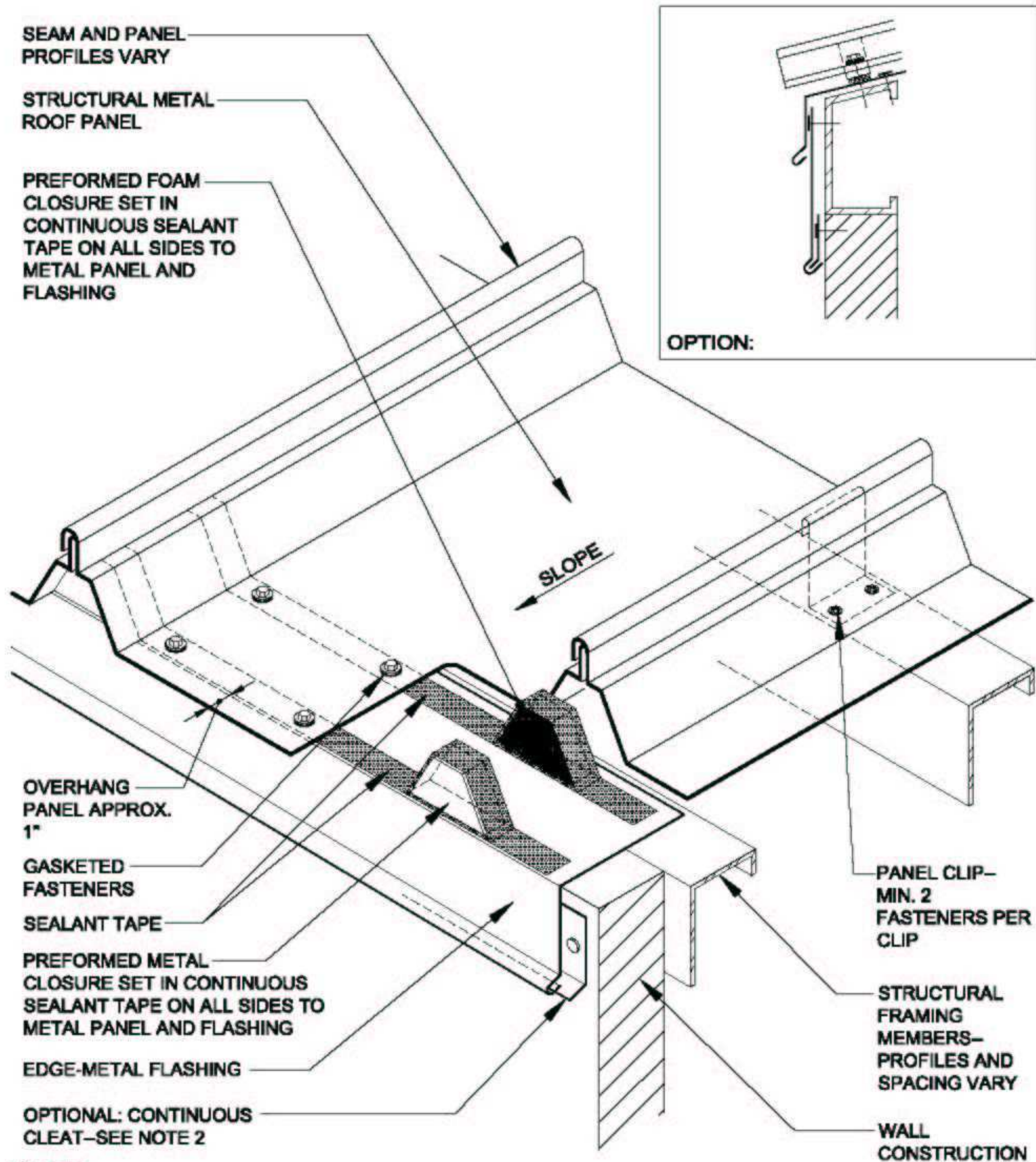
The waterproofing details are from *The NRCA Waterproofing Manual, 2005 Edition*. In publishing The NRCA Roofing Manual series, NRCA made the decision to no longer include the waterproofing section that was previously included in *The NRCA Roofing and Waterproofing Manual, Fifth Edition* (2001). Instead, the waterproofing section was updated and issued as a separate publication.

Additional information about roofing and waterproofing can be found on NRCA's Web site, www.nrca.net, or by calling NRCA at (847) 299-9070.

National Roofing Contractors Association
10255 W. Higgins Road, Suite 600
Rosemont, IL 60018
(847) 299-9070
Fax: (847) 299-1183
www.nrca.net
www.professionalroofing.net

NRCA Construction Details—Metal Panel Roof Systems

AM-1	Eave Flashing
AM-4	Ridge Cap Flashing
AM-7	Open Metal Valley
STM-1	Eave Flashing
STM-5	Ridge Cap Flashing
STM 10	Open Valley Metal
SVM-1	Eave Flashing
SVM-5	Ridge Cap Flashing
SVM-10	Open Valley Metal



NOTES:

1. SPECIFIC FASTENING AND STRUCTURAL REQUIREMENTS ARE NOT INDICATED AS THEY VARY FROM SYSTEM TO SYSTEM DEPENDING ON PANEL MANUFACTURER'S REQUIREMENTS, WIND ZONE, LOCAL CODE AND WALL CONSTRUCTION.
2. REFER TO THE AM/STM/SVM INTRODUCTION FOR PERIMETER EDGE-METAL THICKNESS AND CLEAT RECOMMENDATIONS.
3. INSULATION AND VAPOR RETARDER FOR ROOF SYSTEM ARE NOT SHOWN FOR CLARITY.
4. THIS DETAIL FIXES THE PANEL AT THE EAVE.
5. REFER TO THE AM/STM/SVM INTRODUCTION FOR ADDITIONAL INFORMATION.