

# E-Z Base™ / E-Z Mender™ / E-Z Spike™

## Fence Products

Replacing an entire fence can be an expensive and difficult task. Simpson Strong-Tie® offers a line of products designed to help make reinforcing fence posts easy and economical. The E-Z Base™, E-Z Mender™ and E-Z Spike™ offer simple solutions for all types of fence post projects.

### E-Z Spike (Model No. FPBS44)

- Allows easy installation of 4x4 wood posts without digging holes or pouring concrete
- Can be used for a variety of applications where quick-to-install posts are needed

### E-Z Mender (Model No. FPBM44E)

- Allows easy repair of rotted or damaged 4x4 wood posts installed in concrete or dirt
- Reinforces weakened wood posts without having to replace the post or the concrete
- Sold individually; use in pairs

### E-Z Base (Model No. FPBB44)

- Allows easy installation of 4x4 wood posts on existing concrete

**Material:** 12 gauge

**Finish:** Black powder-coat

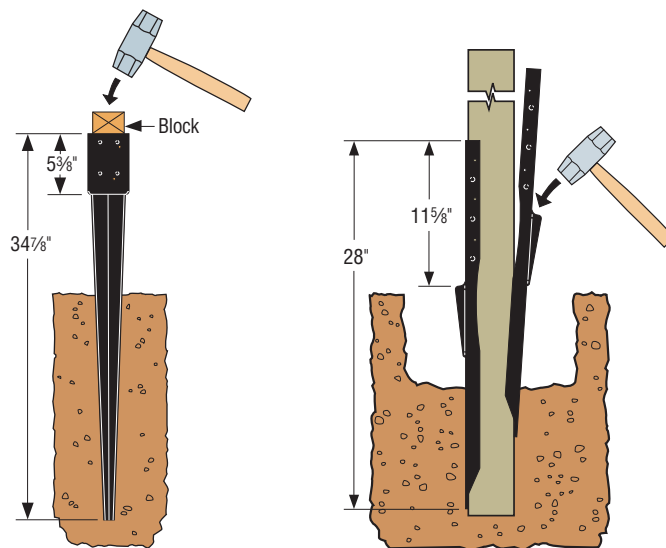
**Installation:**

- See flier F-EZFPP at [strongtie.com](http://strongtie.com)
- Attach post to E-Z Spike or E-Z Base with (8) ¼" Strong-Drive SDS Heavy-Duty Connector screws or ¼" HDG lag screws and attach post to E-Z Mender using (6) HDG nails or screws per part

**Note:**

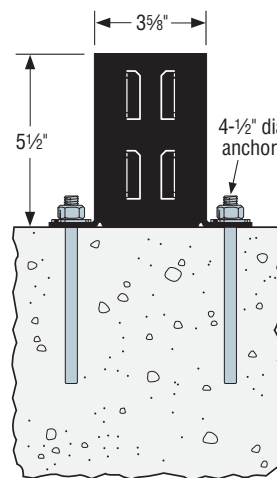
- Notwithstanding the terms of the Limited Warranty, Simpson Strong-Tie does not guarantee, represent or warrant that this product will perform under, or prevent or reduce damage caused by corrosion, any seismic, wind, atmospheric, or other load-producing event.

These products are approved for installation with the Strong-Drive® SD Connector screw. See pp. 39-40 for more information.

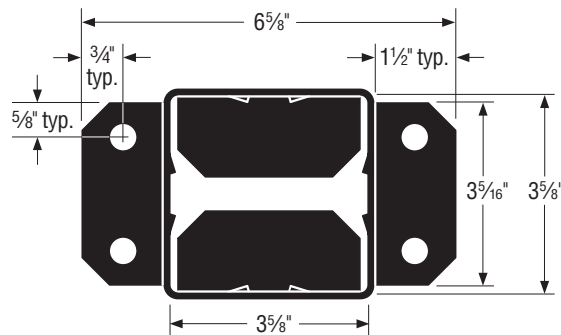


E-Z Spike™ (FPBS44)

E-Z Mender™ (FPBM44E)



E-Z Base™ (FPBB44)



E-Z Base™ (FPBB44) Top View