

E-Z Base™/E-Z Mender™/E-Z Spike™

Fence Products

Replacing an entire fence can be an expensive and difficult task. Simpson Strong-Tie® offers a line of products designed to help make reinforcing fence posts easy and economical. The E-Z Base™, E-Z Mender™ and E-Z Spike™ offer simple solutions for all types of fence post projects.

E-Z Spike (Model No. FPBS44)

- Allows easy installation of 4x4 wood posts without digging holes or pouring concrete
- Can be used for a variety of applications where quick-to-install posts are needed

E-Z Mender (▼ Model No. FPBM44E)

- Allows easy repair of rotted or damaged 4x4 wood posts installed in concrete or dirt
- Reinforces weakened wood posts without having to replace the post or the concrete
- Sold individually; use in pairs

E-Z Base (Model No. FPBB44)

- Allows easy installation of 4x4 wood posts on existing concrete

Material: 12 gauge

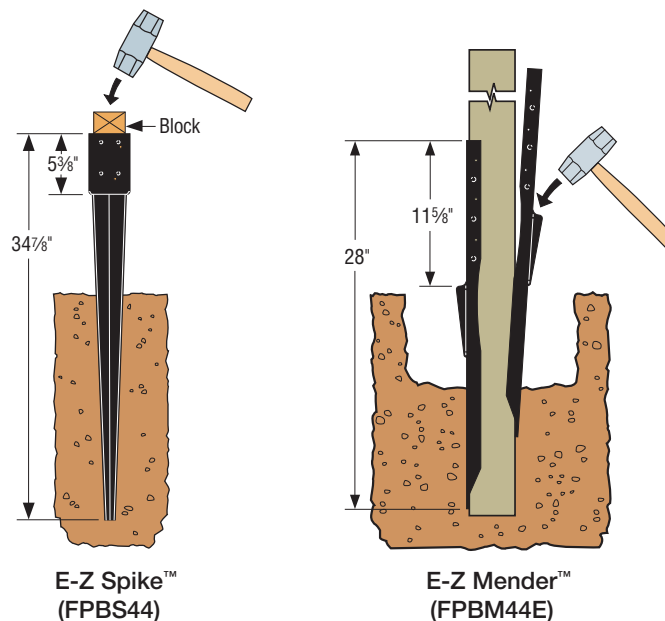
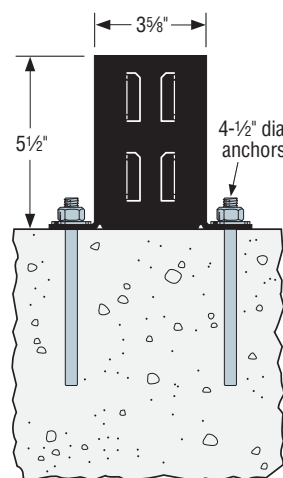
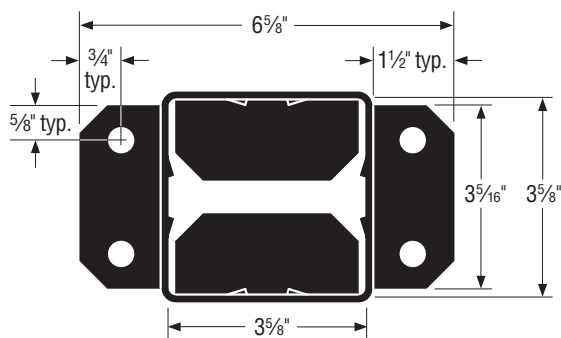
Finish: Black powder-coat

Installation:

- See flier F-EZFPP at strongtie.com
- Attach post to E-Z Spike or E-Z Base with (8) ¼" Strong-Drive SDS Heavy-Duty Connector screws or ¼" HDG lag screws and attach post to E-Z Mender using (6) HDG nails or screws per part

Note:

- Notwithstanding the terms of the Limited Warranty, Simpson Strong-Tie does not guarantee, represent or warrant that this product will perform under, or prevent or reduce damage caused by corrosion, any seismic, wind, atmospheric, or other load-producing event.

E-Z Spike™
(FPBS44)E-Z Mender™
(FPBM44E)E-Z Base™
(FPBB44)

E-Z Base™ (FPBB44) Top View

These products are approved for installation with the Strong-Drive® SD Connector screw. See pp. 39-40 for more information.