

# FB/FBR/FBFZ

## Fence Rail Brackets

FB and FBR fence brackets make the connection between fence rails and posts simple and strong. Eliminates the need for toe nailing or screwing. Clean, versatile connections make planning and building fences, deck/porch railings and louvers easier and faster.

The new patent-pending FBFZ flat rail bracket offers a more concealed install look. In addition to fence-rail connections, the FBFZ can also be used for handrail attachments for porch and deck railings that are 30" or closer to ground level.

**Material:** See table

**Finish:** FB/FBR — Galvanized; FB24SS — stainless steel. Some products available in ZMAX® coating; see Corrosion Information, pp. 15–18.

**Installation:**

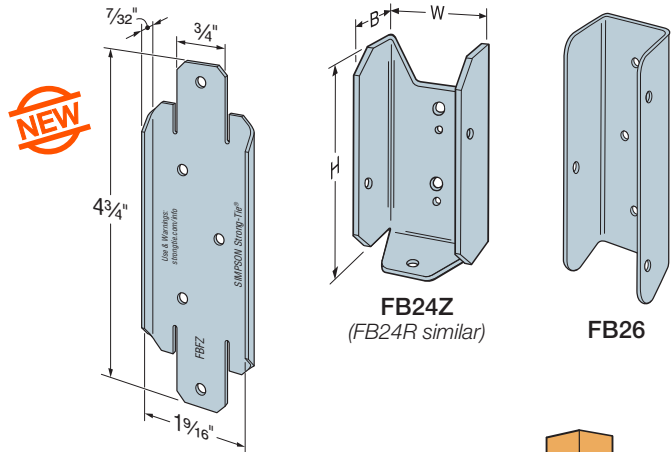
- Holes are sized for 8d x 1½", 8d commons or Simpson Strong-Tie® #9 x 1½" Strong-Drive® SD Connector screws into the supporting member
- FB24R is sized for 10d x 1½" or Simpson Strong-Tie #9 x 1½" Strong-Drive SD Connector screws
- FB26 is sized for Simpson Strong-Tie #9 x 1½" Strong-Drive SD Connector screws

**Codes:** See p. 14 for Code Reference Key Chart

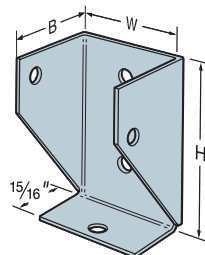
- These products are available with additional corrosion protection. For more information, see p. 18.
- These products are approved for installation with the Strong-Drive® SD Connector screw. See pp. 39–40 for more information.

Model No.	Ga.	Member Size	Dimensions (in.)			Code Ref.
			W	H	B	
FB24Z	20	2x4	1⅞	3⅞	¾	180
FB24R	20	2x4 RGH	2	3⅞	¾	
FBR24	18	2x4	1⅞	2⅞	1½	
FB26	18	2x6	1⅞	5	1½	
FBFZ	18	2x4	1⅞	4¾	⅞	

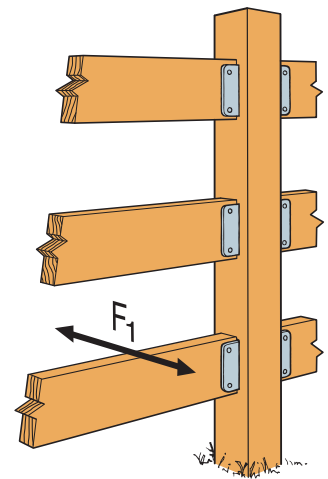
1. FB26 has an allowable load for F<sub>1</sub> of 365 lb.
2. FBR24: R = rail (not rough).
3. **Nails:** 10d x 1½" = 0.148" dia. x 1½" long, 8d = 0.131" dia. x 2½" long, 8d x 1½" = 0.131" dia. x 1½" long. See pp. 26–27 for other nail sizes and information.



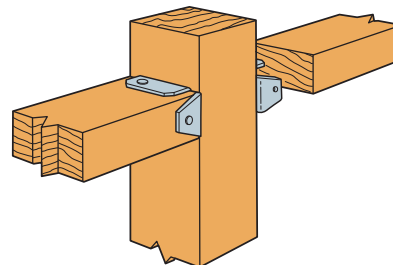
**FBFZ**  
U.S. Patent Pending



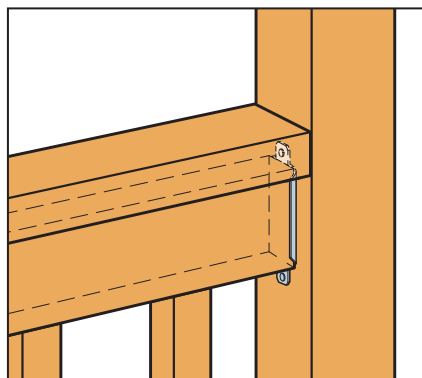
**FBR24**



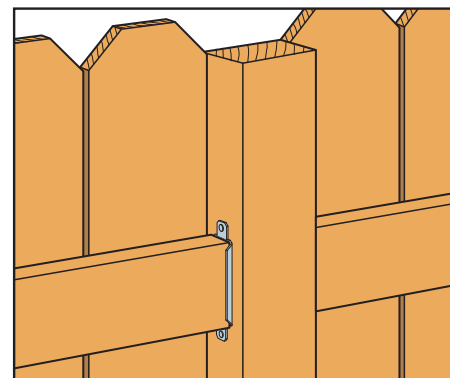
**Typical FB26 Fencing Installation**



**Typical FB24Z Installation**



**Typical FBFZ Handrail Installation**



**Typical FBFZ Fence Rail Installation**