

PRODUCT APPLICATION

The StiffClip® LS series is to be utilized when connecting framing members in various applications, the most common being connecting spandrel wall studs to structure. StiffClip LS resists axial tension and compression loads. Allowable design loads may be calculated based on the Section Properties shown below. Long lengths greater than 20" incorporate a stiffening lip to increase compressive strength.

MATERIAL COMPOSITION

Steel: ASTM A1003/A1003M Structural Grade 50 (340) Type H, ST50H (ST340H): 50ksi (340MPa) minimum yield strength, 65ksi (450MPa) minimum tensile strength, 68mil minimum thickness (14 gauge, 0.0713" design thickness) with ASTM A653/A653M G90 (Z275) hot dipped galvanized coating.

The attachment of StiffClip to the primary structure may be made with a PAF, screw/bolt anchors or weld and is dependent upon base material (steel or concrete) and the design configuration.

Note:

- ◆ For PAF's, fasten within ¾" from the angle heel centerline of the 1½" leg.

STIFFCLIP® LS INSTALLATION



Attach StiffClip to structural member using approved fastener method.

Fasten stud to clip with approved number of screws. For quicker installation, attach from thin to thick material.

STIFFCLIP® LS NOMENCLATURE

StiffClip LS is available in various lengths (10", 12", 15", & 20"). To calculate length for spandrel wall connectors, add stud depth, 3" for attachment to steel (5.5" for attachment to concrete), and the distance of construction tolerance. For other applications, simply designate length (in.) multiplied by 100.

Example: 6" stud, 4" attachment to structure, 2" tolerance. (6+4+2=12)

Designate: StiffClip LS1200.

STIFFCLIP® LS VALUE

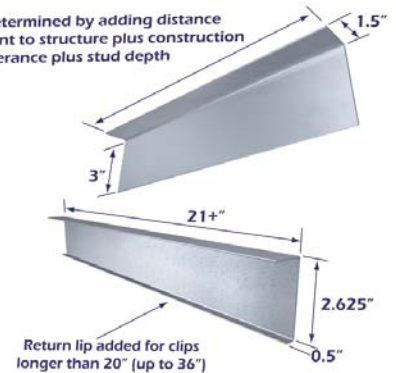
- ◆ Various lengths allow flexibility
- ◆ Eliminates shims and scabs to accommodate stud tolerance from structure in spandrel walls
- ◆ Manufactured from mill certified steel

QUANTITY / ORDER INFORMATION

Designation	Qty/Box	Lbs/Box	Pcs/Skid	Lbs/Skid
LS1000	50	49	2250	2205
LS1200	50	55	2250	2475
LS1500	50	72	1500	2160
LS2000	25	49	1500	2940



Length determined by adding distance for attachment to structure plus construction tolerance plus stud depth



MANSARD TRUSS CONNECTION



ROOF RIDGE CONNECTION



SECTION PROPERTIES

StiffClip® LS < 20" Length						
Area (in ²)	Ixx (in ⁴)	Iyy (in ⁴)	Rx (in)*	Ry (in)**	Sxx (in ³)	Syy (in ³)
0.325	0.344	0.057	1.030	0.418	0.169	0.046
StiffClip® LS > 20" Length						
Area (in ²)	Ixx (in ⁴)	Iyy (in ⁴)	Rx (in)*	Ry (in)**	Sxx (in ³)	Syy (in ³)
0.320	0.298	0.055	0.965	0.415	0.186	0.046

* Radius of Gyration = x-x

** Radius of Gyration = y-y

STIFFCLIP® LS < 20"



STIFFCLIP® LS > 20"

