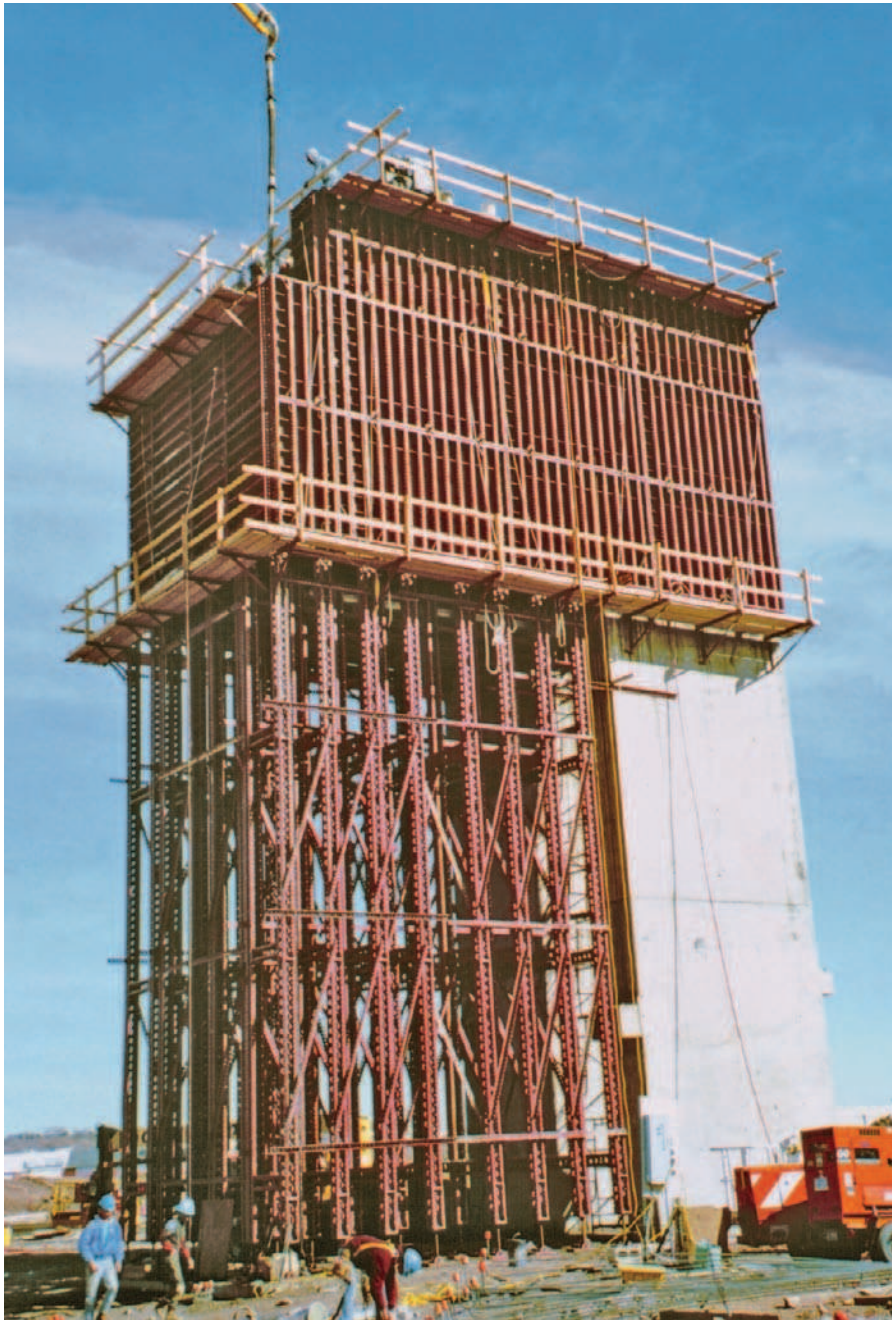
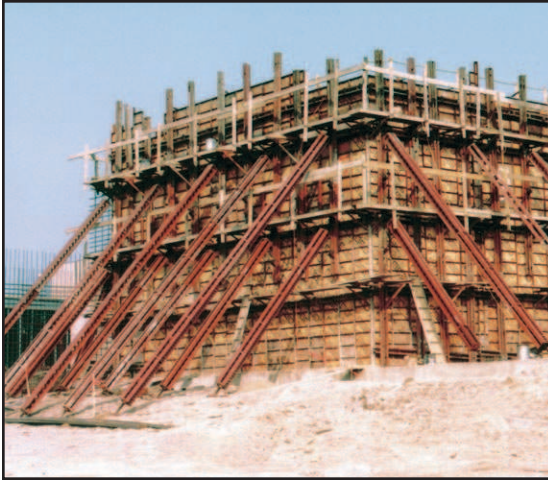


# Symons Soldier™

BEAM SYSTEM



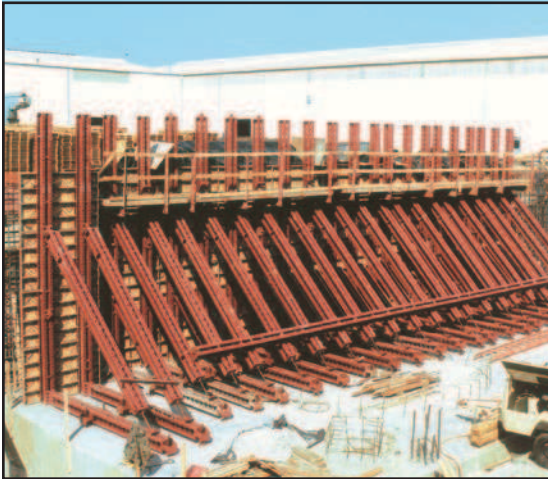


The **Symons Soldier** system is a lightweight, yet extremely strong, construction beam system with unlimited application possibilities.

Symons developed a unique hole pattern which makes the Soldier adaptable to virtually any forming or shoring configuration.

### **Versatility**

The unique hole pattern and a complete line of accessories give the Soldier the versatility you expect from Symons. The Soldier system complements the advantages of standard Symons forming systems. No other form supplier can offer such a wide range of product combinations to handle a diversity of applications.



### **Simplicity**

The ability to bolt to all the flanges adds to the efficiency of the Soldier. When bolted end-to-end as a continuous beam, the connection develops the full strength of the Soldier.

### **Rentable**

Symons Soldier beams and accessories are a rentable system, providing cost savings compared to high-priced lumber components. With Symons Soldiers, unusual requirements can be satisfied with common components.

### **Durability**

Symons Soldiers are fabricated with high-strength steel to provide high load capacity and long service life. Yet they are surprisingly lightweight, resulting in reduced crane capacity requirements.



### **Practicality**

Your next forming or construction dilemma could be solved efficiently with Symons Soldier. Use them as braces, walers, strongbacks, shoring, aligners, trusses or whatever the situation demands.

## Bracing

Symons Soldiers are ideally suited for diagonal bracing and plumbing. The ability to bolt end-to-end can create bracing lengths to fit your specific project requirement.

## One-Sided Forming

Symons Soldier and Symons standard forming systems are used to create tieless one-sided wall forming schemes, providing substantial savings in time and labor costs.

## Shoring

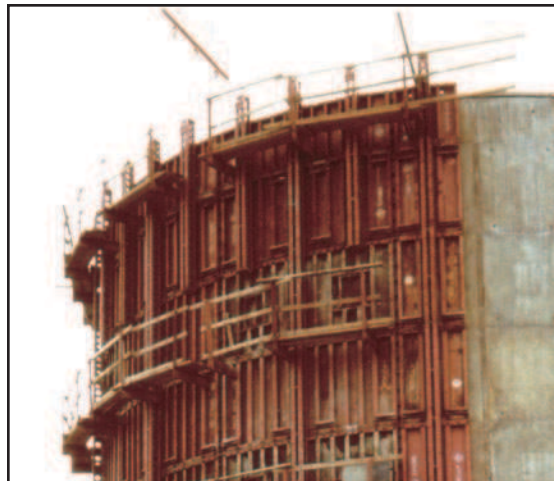
Symons Soldier and standard accessories can be combined to make towers that fit the most demanding shoring and deck support applications.

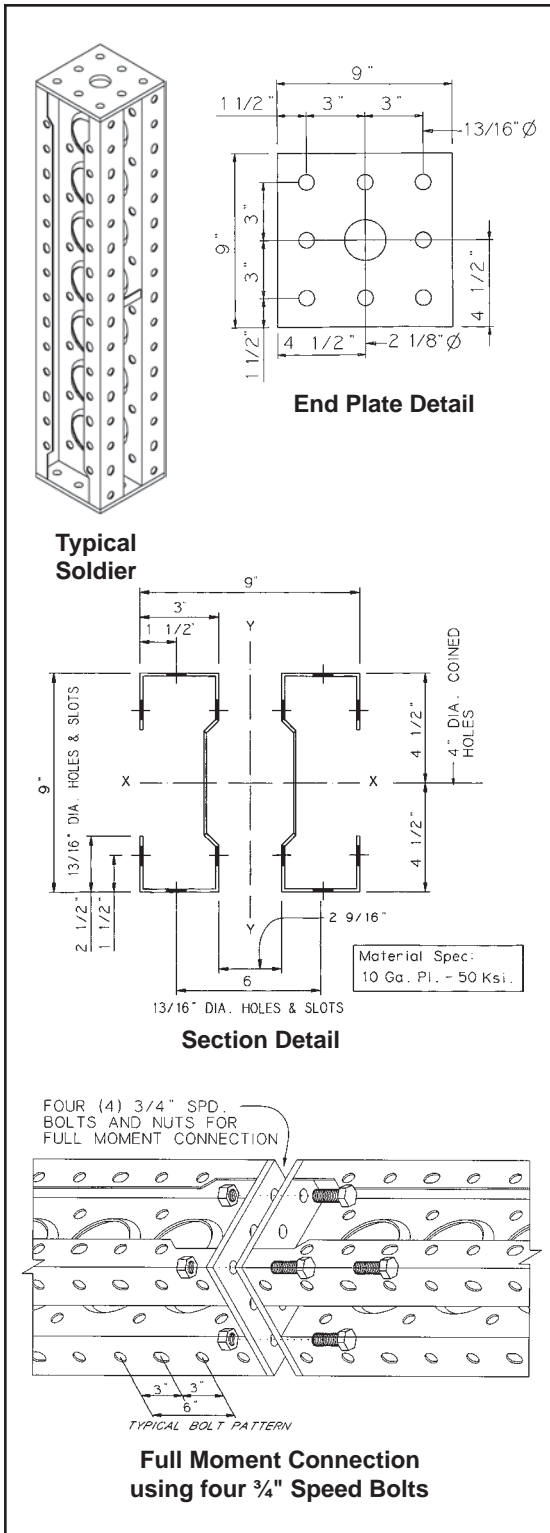
## Alignment

Symons Soldier and accessories are designed for use with other Symons forming systems. Symons Soldier and Symons total product capability offers unlimited possibilities for any aligning and support application.

## Walers

Symons Soldier beams are ideally suited for any waler application. When bolted to any Symons steel form system, the Symons Soldier has the capacity to handle the tallest gangs.





Symons Soldier beams permit bolting on all four flanges in addition to end and web bolt holes. The flange holes are a combination of holes and slots at 3" centers to provide dimensional adjustment and flexibility.

### Symons Soldier Properties

A	=	4.148 in <sup>2</sup>
I <sub>xx</sub>	=	60.28 in <sup>4</sup>
S <sub>xx</sub>	=	13.39 in <sup>3</sup>
R <sub>x</sub>	=	3.812 in
I <sub>yy</sub>	=	40.9 in <sup>4</sup>
S <sub>yy</sub>	=	9.08 in <sup>3</sup>
R <sub>y</sub>	=	3.14 in
F <sub>y</sub>	=	50 ksi

Soldier End Plates are high-strength steel, built square to the Soldier beam, enabling the end-to-end bolted connections to develop the full strength of the Soldier beam.

Additional engineering data for Symons Soldier beam and components, including capacities and maximum loads, is available on request.

Part	Length	Weight
38900	1'-6" 457.2 mm	45 lbs. 20.41 kg
38903	2'-0" 609.6 mm	52 lbs. 23.59 kg
38917	3'-0" 914.4 mm	67 lbs. 30.39 kg
38901	4'-0" 1219.2 mm	83 lbs. 37.65 kg
38902	8'-0" 2438.4 mm	148 lbs. 67.13 kg
38904	12'-0" 3657.6 mm	212 lbs. 96.16 kg

## Pivot Bracket

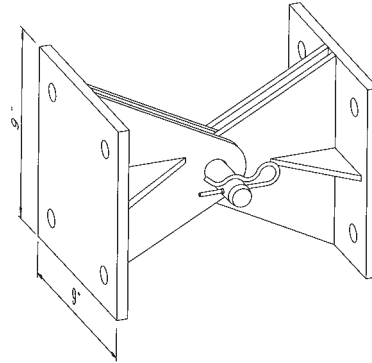
When bolted to the end of the Soldier Beam, the Pivot Bracket provides the connection between the Soldier beam brace and forming system.

## One-Sided Bracket

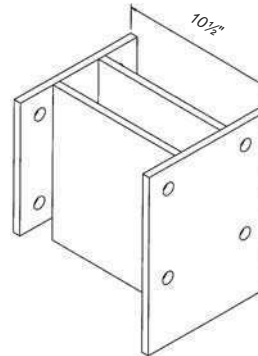
Used in conjunction with the Wedge and Shear Plates in one-sided wall forming applications, the One-Sided Bracket connects the Soldier beams together at the base of the forms and provides the anchor position.

## Strut Jack with Jack Base

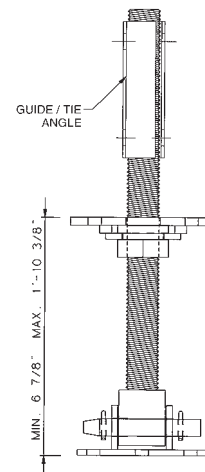
The free-turning nut allows up to 16" adjustment and the Jack Base pivots.



Pivot Bracket Assembly

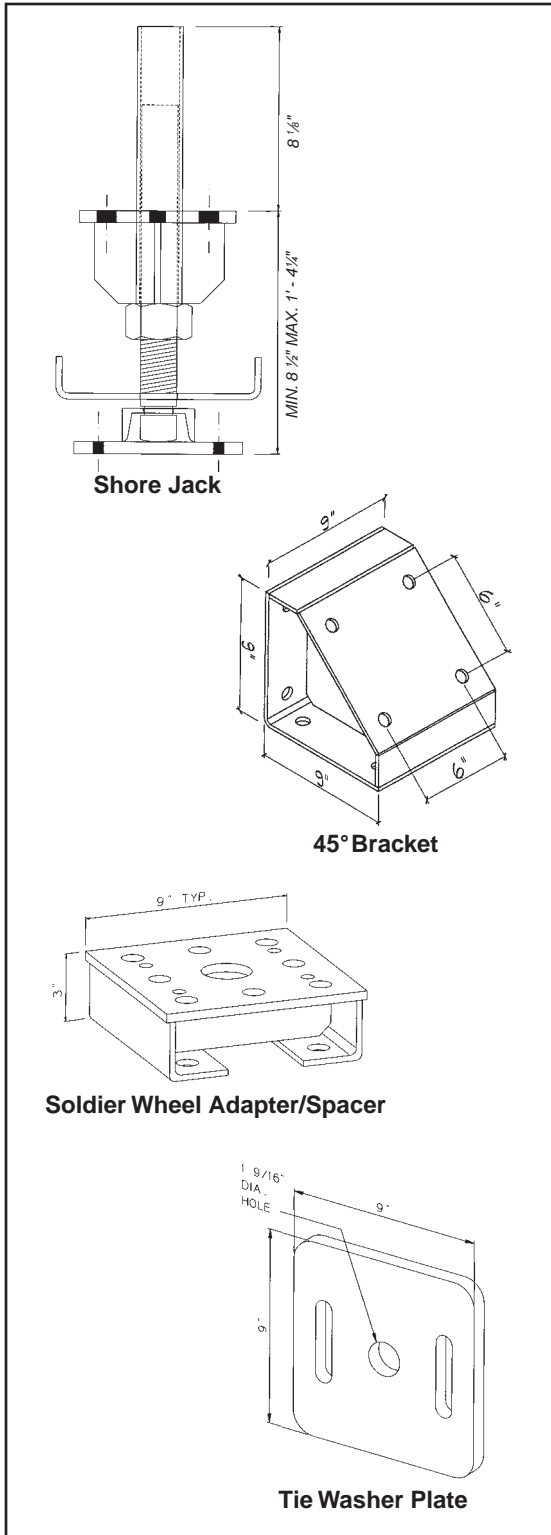


One-Sided Bracket



Strut Jack

# Accessories



## Shore Jack

The jack provides 8" of adjustment in Symons Soldier reshore applications.

## 45° Bracket

The fixed 45° bracket can be used for diagonal bracing and truss configurations.

## Adapter/Spacer

Bolt the 10" swivel wheel for traveling applications or use as a 3" spacer.

## Tie Washer Plate

Plate provides bearing surface for ties and nuts in forming applications.

### Attachment Angles

Bolt Soldier beams to Max-A-Form® or Versiform® gangs with this attachment angle.

### Jack Bracket

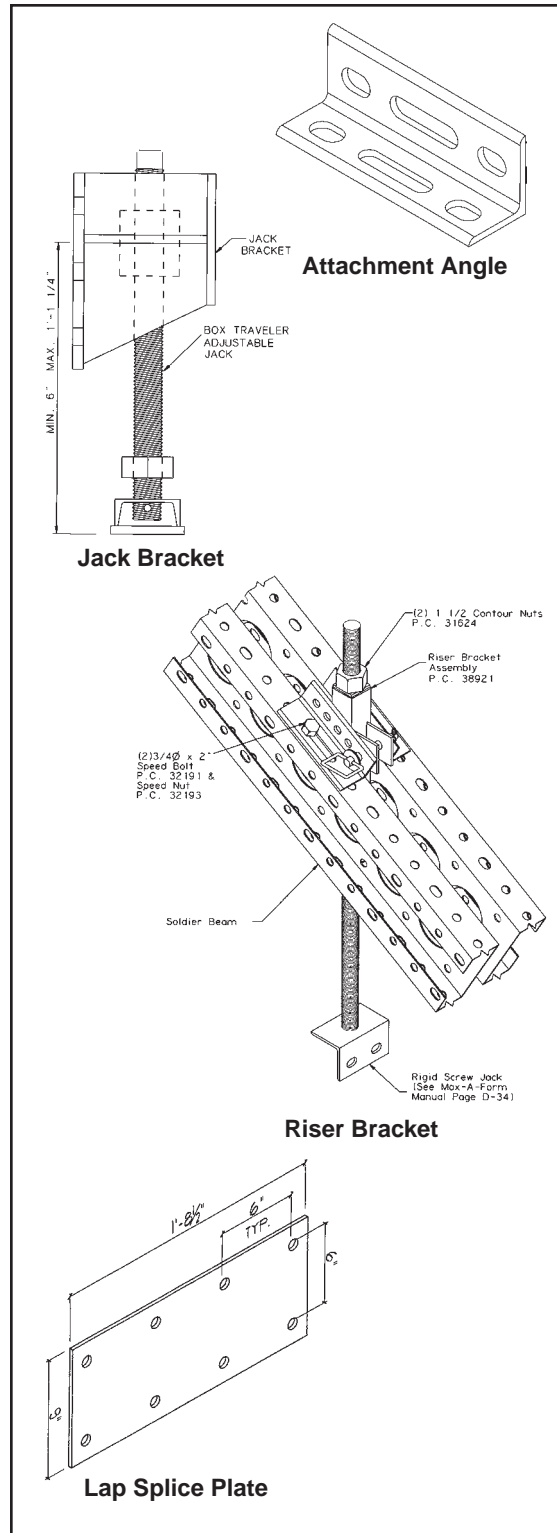
Bracket is used in one-sided applications for aligning and leveling the support frame and form gang.

### Riser Bracket

Swivel ability coupled with vertical adjustment meets most stair and seating riser conditions.

### Lap Splice Plate

Splice from beam-to-beam in truss applications.





BY DAYTON SUPERIOR

2400 Arthur Avenue  
Elk Grove Village, IL 60007 USA  
847-298-3200 • FAX 847-635-9287  
www.symons.com • info@symons.com

**800-800-SYMONS**

**Adjustable Column Form** — Form square or rectangular columns efficiently with a minimum number of steel panels.

**Alisply™** — Clamp-type, metric-dimension system is quickly assembled and reconfigured for fast-paced gangforming.

**Aluminum Beams and Joists** — Lightweight beams/ joists from 4' to 30' (122cm to 914cm) for deck or gangform applications.

**Box Culvert Traveler** — Rolling steel framework is compatible with Steel-Ply, Versiform and Max-A-Form systems.

**Chemicals** — Liquid, cement, epoxy and other specialty products for concrete construction and repair.

**DeckFast™** — A quick two-component system of modular panels and shores for creating flat concrete decks.

**Flex-Form®** — Specially designed steel-faced system for forming curved walls and round tanks with no surface “chording”.

**Form Liner** — More than 100 standard patterns, in four different materials, create unique concrete textures.

**FrameFast™** — Provides 24,000 lb. (106kN) load capacity per shore frame with spacings from 3' to 15' (91.4cm to 457.2cm).

**Garage Beam** — A complete system to form an economical, poured-in-place concrete parking garage.

**Max-A-Form®** — A durable, all-steel forming system that is ideal for pier caps and self-spanning applications.

**Rasto™** — The advantages of a clamp-type gangform, with the handset flexibility for details.

**Resi-Ply™** — A low cost, 1½" (2.9cm) plywood forming system for residential construction, in 4-bar, 5-bar and 6-bar spacing.

**Roller Deck** — Column-mounted deck support system replaces conventional shoring, providing access for other trades.

**Room Tunnel** — One room per day, per form provides maximum forming productivity for repetitive room designs like hotels.

**ShorFast™** — High capacity aluminum leg and jack shoring system can support up to 30 kips (133kN) per leg.

**Steel-Ply®** — The most recognized modular system, with more than 80 panel and filler sizes, for handsetting or gangforming.

**Street Smart™** — Reusable steel forms for residential curb and gutters, industrial slabs and highway paving applications.

**Symons Silver™** — A lightweight aluminum system that makes residential forming operations efficient and productive.

**Symons Soldier™** — The “next generation” construction beam that can be used as a brace, strongback, waler or shore.

**Truss** — Crane handling of large aluminum tables increases deck forming productivity for repetitive bays.

**Versiform®** — Steel frame/plywood face gangforming system that provides a smooth concrete finish.

Printed in U.S.A.  
© 2007, Symons  
Product Code 92299

