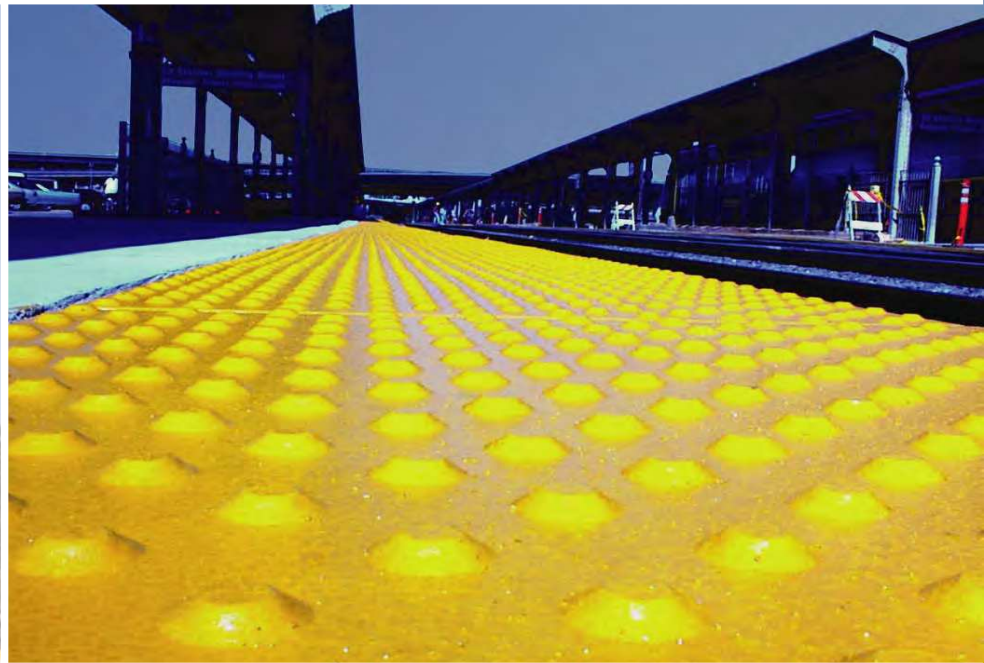




Tile Tech Warnings[®]

Paving America one step at a time!



MANUFACTURER OF DETECTABLE WARNING PAVERS AND TILES



Applications

- Roof Decks
- Plaza Decks
- Pool Decks

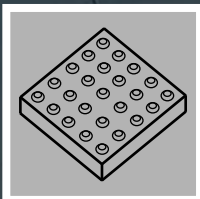
..... 3



Warning Pavers

- Features
- Colors

..... 6



Product Data Sheet

- Dimensions & Sizes
- Test Data

..... 7



Short Specification

..... 8

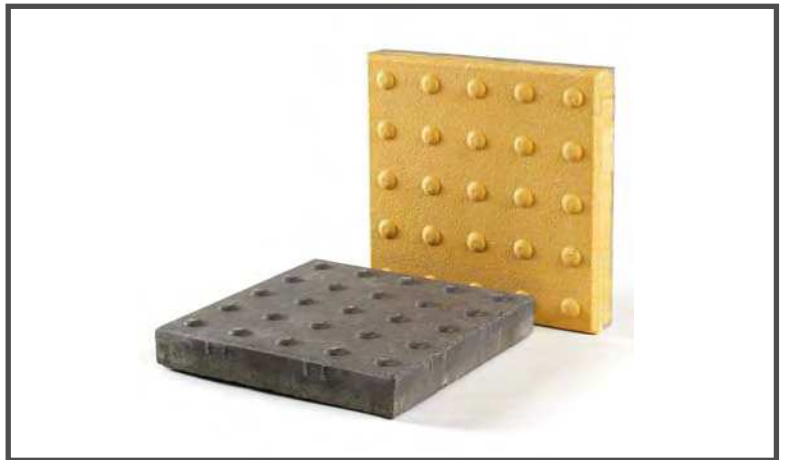


Detectable Warning Pavers or **ADA Truncated Domes** are a distinctive surface pattern of domes detectable by cane or underfoot that are used to alert people with vision impairments of their approach to streets and hazardous drop-offs. The ADA Accessibility Guidelines (ADAAG) require these warnings on the surface of curb ramps, which remove a tactile cue otherwise provided by curb faces, and at other areas where pedestrian ways blend with vehicular ways. They are also required along the edges of boarding platforms in transit facilities and the perimeter of reflecting pools.

Tile Tech Pavers has been working with various government agencies and municipalities to design and provide a paver which would aid the partially sighted and blind pedestrian.

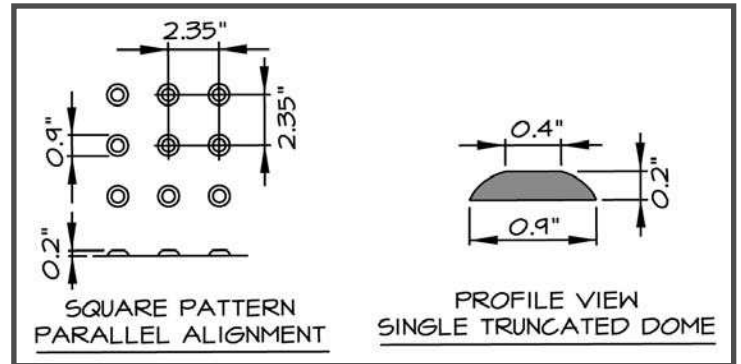
Persons with visual impairments depend upon environmental cues of potential hazards ambient sounds and physical elements that can be sensed by a cane or texture changes underfoot.

Any pedestrian area requiring the use of a detectable warning surface can utilize these Detectable Warning Pavers. The top surface have non-slip properties and raised truncated domes. These are readily detectable under foot and by cane.



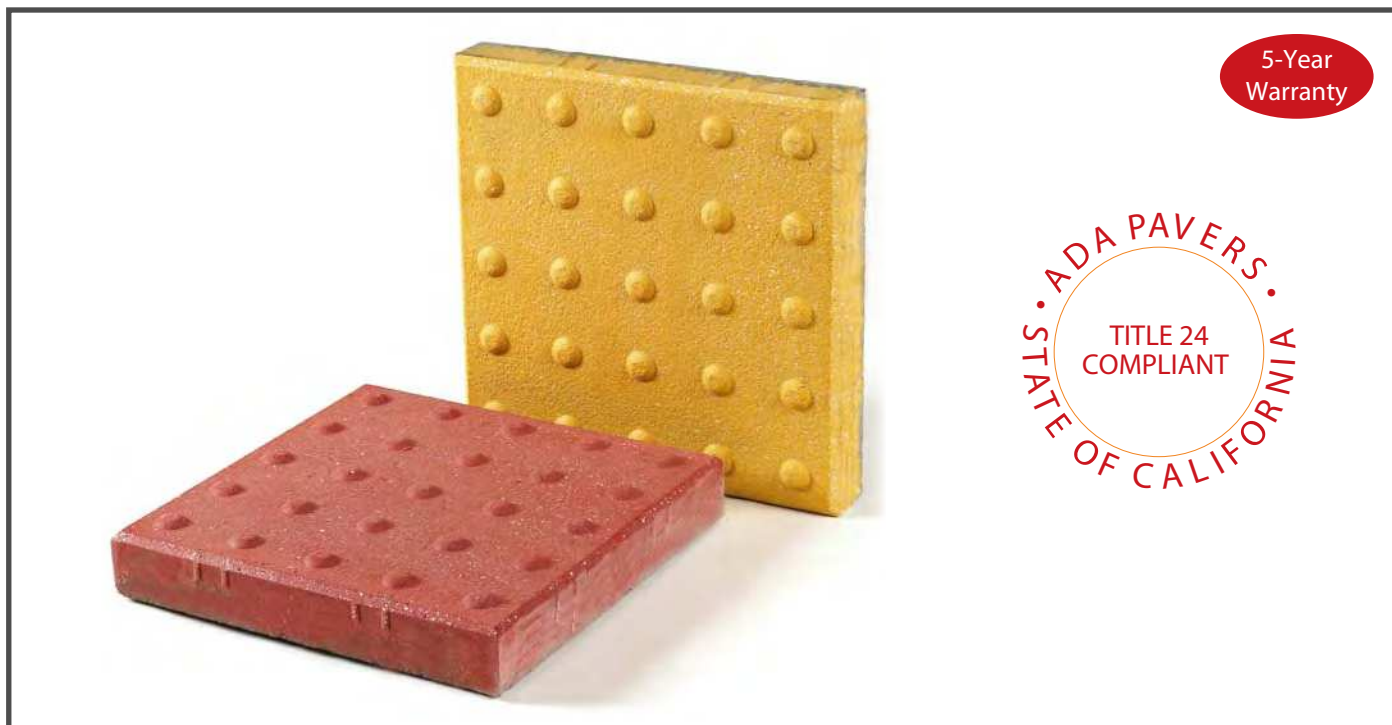


Since July 26, 2001 the suspension on the use of detectable warnings has been lifted, and the FHWA is obligated to enforce the requirements. As a result state and local governments are required to apply minimum design standards. The original design standard (minimum) for truncated domes is found in ADAAG (4.29.2), however new design recommendations for the dimension and placement of the domes on curbs have been made. Both FHWA and the U.S. Access Board are encouraging the use of the new **aligned** or **in-line** dome design. *In accordance with ADA Regulations on Curb Ramps:* Raised truncated domes with a diameter of nominal 0.9"; a height of nominal 0.2"; and a center-to-center spacing of 1.67" minimum, and 2.35" maximum.





Detectable Warning Pavers



Manufactured in accordance with the requirements set forth in the American Disabilities Act (ADA), Tile Tech Detectable Warning Paver is fabricated with a non-slip texture produced by shot blasting technique. Projects will benefit from its high 8,000psi strength and ability to withstand snow removal and freeze thaw conditions. Typical installations include railway platforms, handicap ramps and curb and grade changes.

Detectable Warning Pavers are stocked in the four standard colors shown bellow. Custom colors & sizes are available on special request when quantities permit. Detectable Warning Paver can be sand set, mortar set or thinset. Contact Tile Tech Pavers for more information.



Freeze/ Thaw Resistance Due to its high 8,000psi density, resulting in less than 1% loss of dry weight in 50 cycles, these Detectable Warning Pavers can withstand extreme weather conditions and are even installed in Alaska!



ADAAG/PROW/CA Title 24 Compliant Dome spacing and geometry strictly compliant with all applicable codes. Architectural finish integrates well with adjacent site works.



Superior Color Stability Pigment is uniformly distributed throughout the thickness of our products. Long term color stability without the need for secondary coatings.

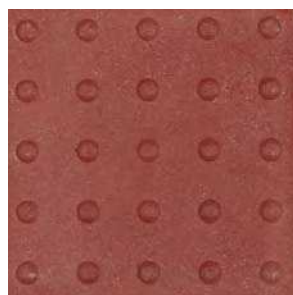


Superior Wear Resistance Wear resistance properties far superior to that achieved with composite based materials of any type.

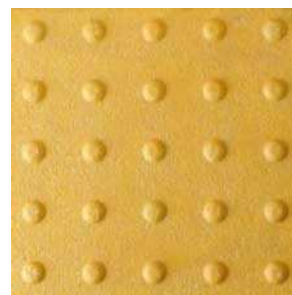
Standard Colors



Charcoal



Red

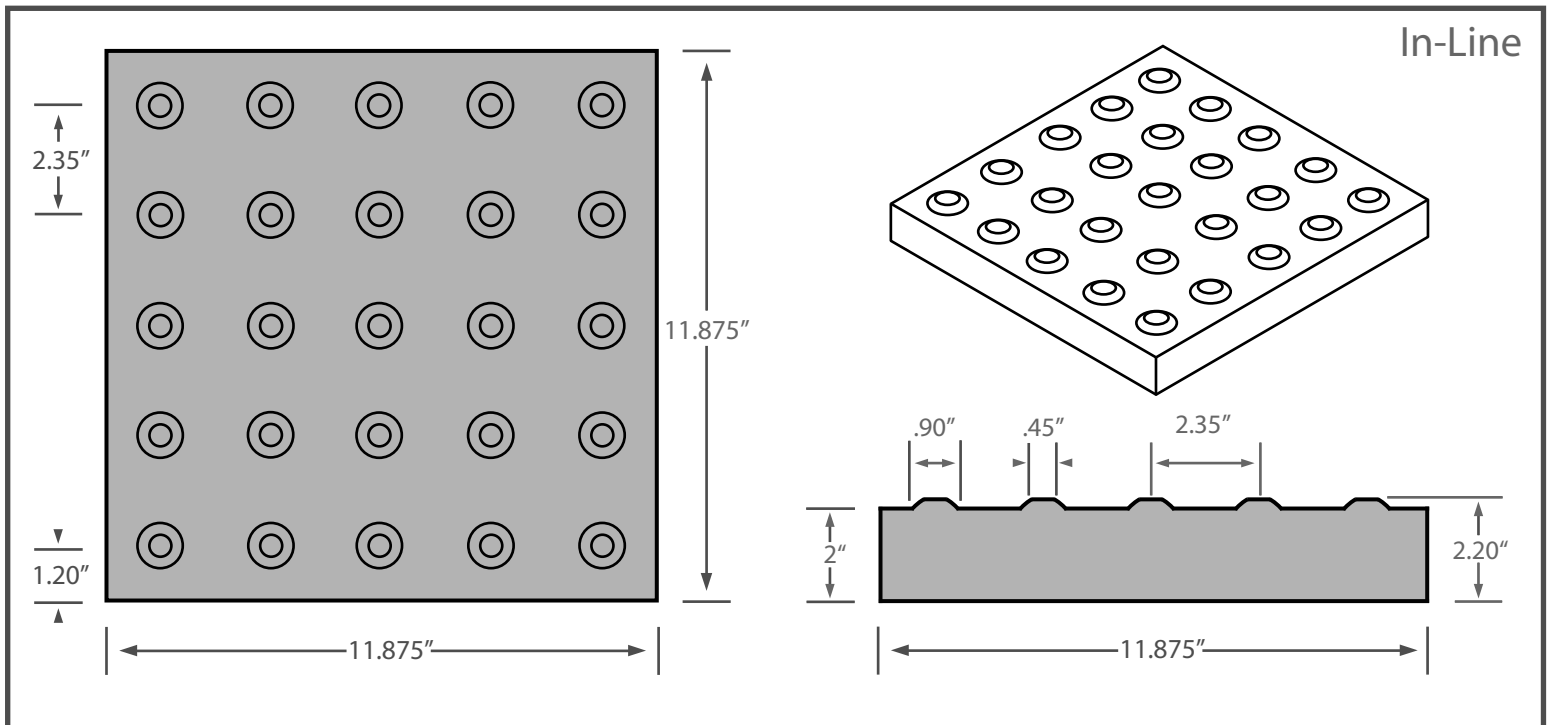


Yellow



Natural


Please Note: Colors & finishes shown are only a representation. Please request samples for approval.



PAVER SPECS	Size L x W (inch)	Thickness (inch)		Weight per SqFt (Lb)	Weight per Unit (Lb)	Unit per Pallet (pcs)	Colors			
		Standard	With Dome				Yellow	Red	Natural	Charcoal
 12 x 12	11.875" x 11.875" 300mm x 300mm	2"	•	22lb	22lb	118	•	•	•	•

Please Note: The standard thickness of the paver does not include the height of the dome. A paver which is ordered at a 2" thickness will actually measure 2.20" from the bottom of the paver to the top of the dome.

PAVER PROPERTIES	TEST METHOD	RESULTS
Compressive Strength	ASTM C-140	8,000psi Min
Flexural Strength	ASTM C-293	700psi Min
Water Absorption	ASTM C-936	5% Max
Coefficient of Friction	ASTM C-1028	0.6% Min
Freeze Thaw	ASTM C-67	1% Max
Dimensional Tolerance	+/- 1/16" Length, width, height, convex, concave.	



Tile Tech Detectable Warning Pavers contribute to LEED Credit, based on the use of regional and recycled materials.

For complete material & installation specifications, please visit our website or contact us.

PART ONE - GENERAL

1.2 SUMMARY

- A. Scope of work
 - 1. Detectable Warning Pavers

1.3 REFERENCES

- A. American Society for Testing & Materials
 - 1. ASTM C-33
 - 2. ASTM C-140
 - 3. ASTM C-150
 - 4. ASTM C-241
 - 5. ASTM C-293
 - 6. ASTM C-501, 50
 - 7. ASTM C-1028

1.4 SUBMITTALS

- A. Product Data Sheet
 - 1. Including preparation instructions, Installation methods, storage and handling requirements test reports and shop drawings.
- B. Samples
 - 1. Submit two sets of standard color chips of manufacturer's full range.

1.5 QUALITY ASSURANCE

- A. Manufacturer
 - 1. Minimum of 5 years experience manufacturing precast pavers.
 - 2. Supply a written installation procedure manual.
- B. Installation Contractor
 - 1. Minimum of 1 year experience installing precast pavers on projects of similar size.
 - 2. Installation contractor must meet all local & state licensing & bonding requirements.

1.8 WARRANTY

- A. Manufacturer
 - 1. Shall warrant installed pavers for a period of 5 year from date of substantial completion against failure of materials.
- B. Installation Contractor
 - 1. Shall warrant installed pavers for a period of 3 year from date of substantial completion against failure of workmanship.

PART TWO - PRODUCTS

2.1 MANUFACTURER

- A. Tile Tech Pavers Inc.
 - Tel.....213-380-5560
 - Fax.....213-380-5561
 - Toll Free.....888-380-5575
 - Web.....tiletechpavers.com

2.2 MATERIALS

- A. ADA Detectable Warning Pavers
 - 1. Color: Yellow, Charcoal, Red, Natural
Custom colors available order size permitting.
 - 2. Size: 12" x 12" x 2" Nominal
 - 3. Finish: Shot-blasted & Sealed

PART THREE - EXECUTION

3.1 EXAMINATION

- A. Inspect sub-grade and insure proper preparation.

3.2 PREPARATION

- A. Clean & Prepare surfaces using the methods recommended by the manufacturer.
- B. Install Frame-Work for block-out area to receive pavers.
- C. Pour concrete into and around frame work.
Level concrete and bull float area.
- D. Remove frame work. Bull float area to receive pavers and allow concrete to cure.

3.3 INSTALLATION

- A. Install in accordance with Tile Tech Pavers and other contributing manufacturer's instructions.
- B. Sand Set Method
 - 1. Create weep holes for drainage.
 - 2. Add masonry sand to recessed area.
 - 3. Screed 1/4" masonry sand.
 - 4. Set pavers in sand. Leave 1/16" to 1/8" between units to allow for sand.
 - 5. Sweep sand into joints after installation.
- C. Thin Set Method (Mortar)
 - 1. Apply thin set with 1/4" x 3/8" notched trowel and spread fully and evenly.
 - 2. Set pavers and be sure pavers are fully set into thinset.
 - 3. Grout all joints with an exterior based grout.
- D. Thick Set Method (Mortar)
 - 1. While concrete is still wet, inbed pavers into cavity.
 - 2. Level pavers by tapping with rubber hammer.

For complete material & installation specifications, please contact Tile Tech Pavers

