

VAV DIFFUSERS

P VAV Diffusers | Non-VAV | Description

VAV Diffusers (continued)

Non-VAV • T₃SQ-0

Configurations:

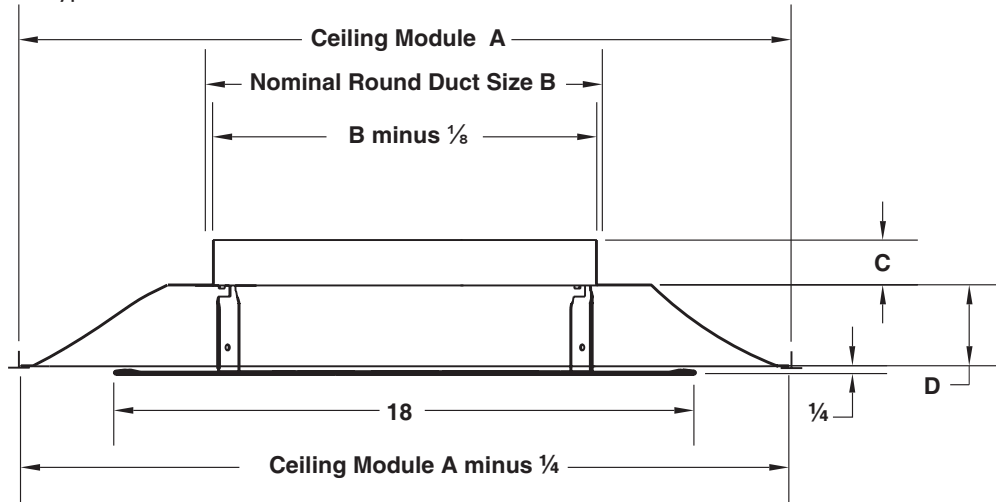
T₃SQ-0 • Supply/Return



- The T₃SQ-0 is a non-VAV supply or return diffuser with a center induction cap designed to match the T₃SQ-4 and -5 thermal VAV diffusers.
- The curvature of the backpan works with the formed edges of the face panel to deliver a tight horizontal air pattern, without excessive noise or pressure drop over the full range of operation.
- The T₃SQ diffuser is designed to satisfy architectural, as well as engineering criteria. The strong, clean, unobtrusive lines harmonize with the ceiling, without sacrificing performance.

- The standard finish is #26 White.
- The face panel and backpan are constructed from 18-gauge steel. The formed outer edge also assures a straight and level surface.

T₃SQ-0 • Border Type 3



Ceiling Module A	Nominal Round Duct Sizes B	C	D
24	6	1 1/8	3 5/8
	8	1 1/4	3 3/4
	10, 12	1 3/8	3 7/8

Ceiling Module A	Face Size	Nominal Round Duct Size	Border Type
24 x 24	24 x 24	6, 8, 10, 12	1, 2, 3, 4, NT

All dimensions are in inches.

P10

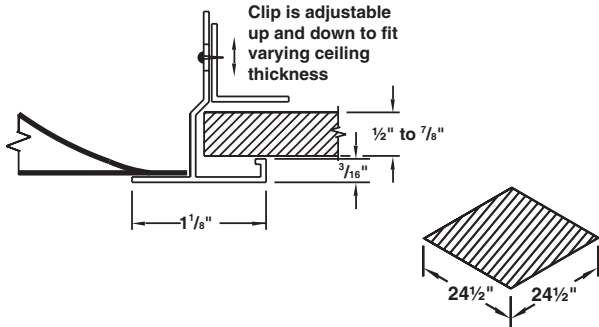
NON-VAV T₃SQ-0



Border Types

Border Type 1 Rapid Mount Frame (for surface mounting applications)

The T₃SQ series of diffusers is not available with standard Border Type 1. For surface mounting applications, the TRM optional Rapid Mount Frame can be used. Using border option TRM, the T₃SQ diffusers are shipped with Border Type 3 (lay-in). The TRM frame is shipped separately for field installation. Once the TRM is installed, the T₃SQ diffuser simply lays into the frame. This option allows access into the ceiling after installation.

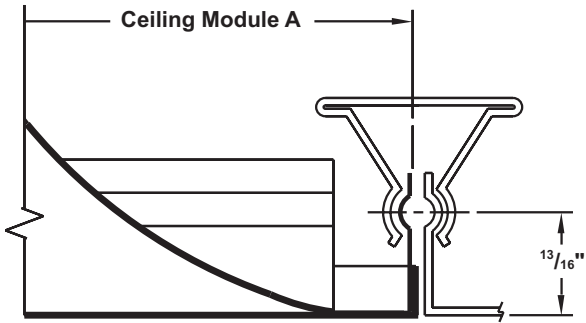


P11

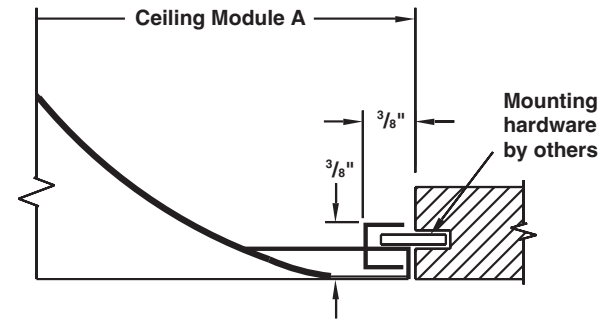
BORDER TYPES



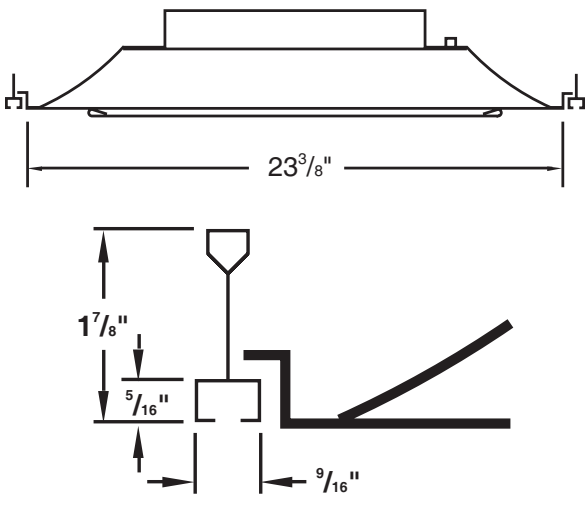
Border Type 2 (Snap-In)



Border Type 4 (Spline)



Border Type NT



Face Plaque Installation

Installation is completed by lining up the hooks on the face plaque assembly with the corresponding slot.

Easy three step hook installation for the face plaque

