

## SCR-820

### Thermoplastic Rubber Extrusions

#### Product Description

SCR-820 Thermoplastic Rubber Extrusions are fabricated into gaskets and accessories (such as setting blocks, spacers and shims) for use in sealing and glazing applications in building construction. Custom color matching is available.

#### Metal Requirements

SCR-820 Thermoplastic Rubber Extrusions are manufactured to meet existing metal designs or developed with custom metal systems at the design development stage. Many profiles are available depending upon existing metal requirements.

#### Packaging

SCR-820 Thermoplastic Rubber Extrusions are packaged based on customer requirements, profile size and configuration.

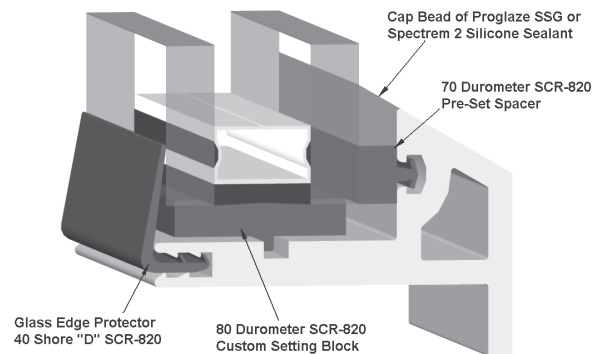
#### Availability/Cost

Tremco SCR-820 Thermoplastic Rubber Extrusions are generally custom manufactured but many standard designs are available. Their availability and cost may be obtained from your local Tremco Sales Representative, or by contacting Tremco's Customer Service Department in Ashland, Ohio, at 800-321-6357 and in Canada at 800-363-3213.

#### Warranty

Tremco warrants its Products to be free of defects in material. But makes no warranty as to appearance or color. Since method of application and on-site conditions are beyond our control and can affect performance, Tremco makes no other warranty, expressed or implied, including warranties of MERCHANTABILITY and FITNESS FOR A PARTICULAR PURPOSE, with respect to Tremco Products. Tremco's sole obligation shall be at, its option, to replace, or to refund the purchase price of the quantity of Tremco Products proven to be defective and Tremco shall not be liable for any loss or damage.

Please refer to our website at [www.tremcosealants.com](http://www.tremcosealants.com) for the most up-to-date Product Data Sheets.



### TYPICAL PHYSICAL PROPERTIES

Per ASTM C 864 Requirements

PROPERTY	ASTM Test Method	60±5 Durometer	70±5 Durometer	80±5 Durometer	Rigid Gasket
Shore "A" Hardness	D 2240	64	73	87	40 Shore "D"
Compression Set, 22 h @ 212°F (100°C)	D 395	36%	36%	45%	49%
Ozone Resistance, 100 mPa,					
100 h @ 104°F (40°C) 20% Elongation	D 1149	No Cracks	No Cracks	No Cracks	No Cracks
Tensile Strength	D 412	1000 psi (6.9 MPa)	1200 psi (8.3 MPa)	2300 psi (15.8 MPa)	2750 psi (18.9 MPa)
Elongation @ Rupture	D 412	400%	375%	530%	600%
Tear Strength	D 624	140 lb/in (24.5 kN/m)	159 lb/in (27.8 kN/m)	278 lb/in (48.7 kN/m)	203 lb/in (35.6 kN/m)
Brittleness Temperature @ -40°F (-40°C)	D 746	Pass	Pass	Pass	Pass



#### Tremco Commercial Sealants & Waterproofing

3735 Green Road, Beachwood, OH 44122 // Phone: 216.292.5000 // 800.321.7906  
 220 Wicksteed Avenue, Toronto, ON M4H 1G7 // Phone: 416.421.3300 // 800.363.3213  
 1451 Jacobson Avenue, Ashland OH 44805 // Phone: 419.289.2050 // 800.321.6357