

Silicone

Dense Rubber Extrusions

Product Description

Tremco Silicone Dense Rubber Extrusions are fabricated into gaskets and accessories (such as setting blocks, spacers and shims) for use in sealing and glazing applications in building construction. Custom color matching is available.

Metal Requirements

Tremco Silicone Dense Rubber Extrusions are manufactured to meet existing metal designs or developed with custom metal systems at the design development stage. Many profiles are available depending upon existing metal requirements.

Packaging

Tremco Silicone Dense Rubber Extrusions are packaged based on customer requirements, profile size, configuration and the need for molded picture frame gaskets.

Availability/Cost

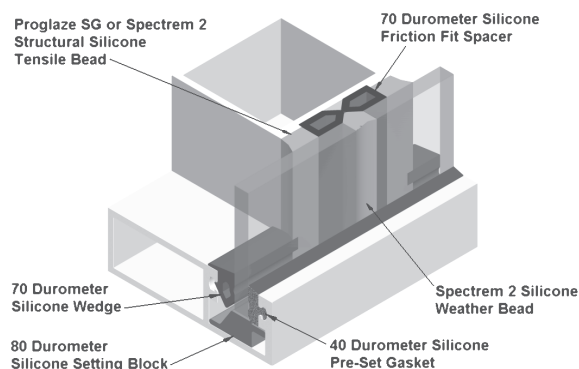
Tremco Silicone Dense Rubber Extrusions are generally custom manufactured but many standard designs are available. Their availability and cost may be obtained from your local Tremco Field Representative, or by contacting our Customer Service Department in Ashland, Ohio, at 800-321-6357 or in Canada at 800-363-3213.

Warranty

Tremco warrants their products to be free of defects. Under this warranty, Tremco will provide, at no charge, products in

containers to replace any product proven to be defective when applied, tested and cured (if applicable), in accordance with Tremco's written instructions, standards and applications recommended by Tremco as suitable for this product. User shall determine suitability of the product for their intended use and assume all risk and liability therewith. Seller shall not be liable for any injury, loss or damage, direct or consequential, arising out of the use of the product.

All claims concerning product defects must be made within 12 months of shipment. Absence of such claims in writing, during this period, will constitute a waiver of all claims with respect to such product. This warranty is the user's sole remedy and is IN LIEU OF any and all other warranties expressed or implied, including but not limited to, any implied warranty of MERCHANTABILITY OR FITNESS FOR A PARTICULAR PURPOSE.



TYPICAL PHYSICAL PROPERTIES

PROPERTY	ASTM TEST METHOD	40 Durometer	60 Durometer	70 Durometer	80 Durometer
Shore "A" Hardness	D-2240	43	65	70	80
Compression Set, 22 h @ 100°C	D-395	13.8%	12.5%	11.0%	12.9%
Ozone Resistance, 100 mPa, 100 h @ 40°C, 20% Elongation	D-1149	No Cracks	No Cracks	No Cracks	No Cracks
Tensile Strength	D-412	1060 psi (7.3 MPa)	1139 psi (7.8 MPa)	1075 psi (7.4 MPa)	1095 psi (7.6 MPa)
Elongation @ Rupture	D-412	323%	235%	167%	113%
Tear Strength	D-624	120 lb/in (21.0 kN/m)	107 lb/in (18.7 kN/m)	121 lb/in (21.2 kN/m)	92 lb/in (16.1 kN/m)
Brittleness Temperature @ -40°C	D-746	Pass	Pass	Pass	Pass



Tremco Commercial Sealants & Waterproofing

3735 Green Road, Beachwood, OH 44122 // Phone: 216.292.5000 // 800.321.7906
 220 Wicksteed Avenue, Toronto, ON M4H 1G7 // Phone: 416.421.3300 // 800.363.3213
 1451 Jacobson Avenue, Ashland OH 44805 // Phone: 419.289.2050 // 800.321.6357