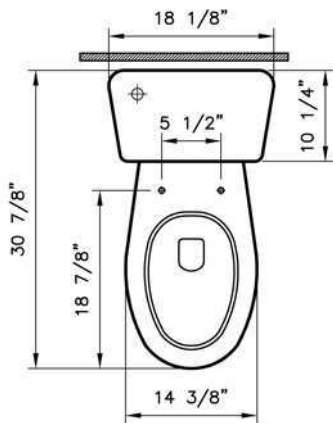


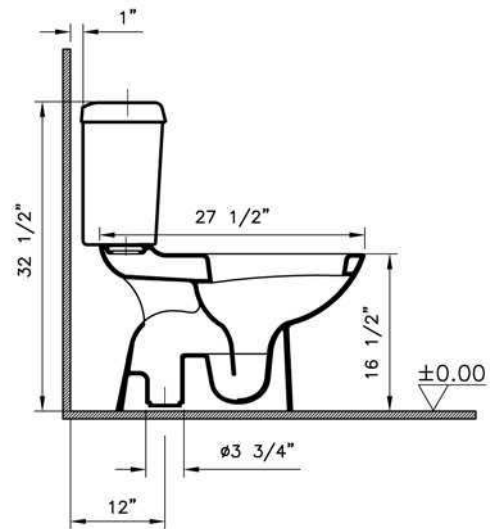


Description	: EverGreen Dual Flush Wash Down Two-piece toilet, 1.6 gpf / 0.8 gpf HET Elongated Bowl, BOWL ONLY, Extended Height, ADA Compliant
Model Numbers	: 5074BXXX-0075
Compatible Items	: 5055BXXX-5219 Tank with dual flush mechanism, fluidmaster fill valve, 12" rough in 36-003-002 Toilet Seat (elongated) 44-XXX-009 Toilet Seat (elongated) (soft-closing)
Water Consumption	: 1.6 GPF / 0.8 GPF
Water Surface	: 5 1/8" x 4 3/8"
Water Depth From Rim Rough in	: 11 1/4"
Minimum Water Pressure	: 20 psi
Trap Diameter	: 2" ball pass with 2 1/8" trap diameter
Trap Seal Depth	: 2 1/8"
Shipping Weight	: 5074: 55 lbs. 5055: 42 lbs.
Shipping Dimensions	: 5074: 15 1/8"W x 29 1/8"L x 18 7/8"H 5055: 12 7/8"W x 19 7/8"L x 17 7/8"H
Installation Guide	: Vitra Guide # 312858
Included Components	: Tank fittings, bolt caps (white 310359 / bone biscuit 310306 / black 310360)
Material	: Vitreous China
Colors	: 003 White 017 Bone / 068 Biscuit (Basic colors) "XXX" indicates the color
Standards	: Meets the American Disabilities Act Guidelines and ICC/ANSI A117-1 requirements when installed so top of seat is 17" from the finished floor. Recommended seat for ADA requirements: Vitra 36-003-002 or 44-XXX-009 ASME A 112.19.2, CSA B45, CMR 248 (State of Massachusetts), ICC/ANSI A 117-1, LADWP/SPS (City of Los Angeles)
Warranty	: 10 year limited warranty

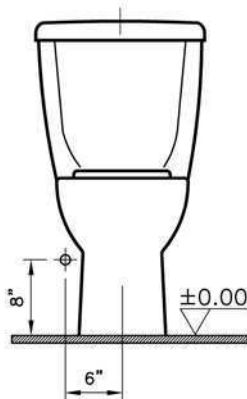
1



2



3



Notes:

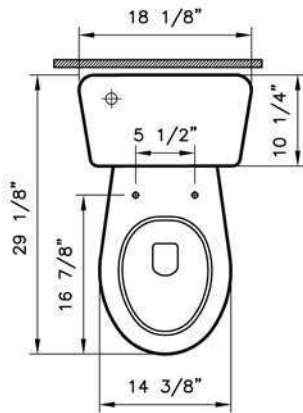
- DIMENSIONS SHOWN FOR THE LOCATION OF THE SUPPLY IS SUGGESTED.
- INSTALLATION INSTRUCTIONS SUPPLIED WITH THE TOILET.

IMPORTANT: Dimensions of fixtures are nominal and may vary within the range of tolerances established by ASME Standard A 112.19.2, CSA Standard B45. These measurements may be subject to change. No responsibility is assumed for the use of superseded or voided pages.

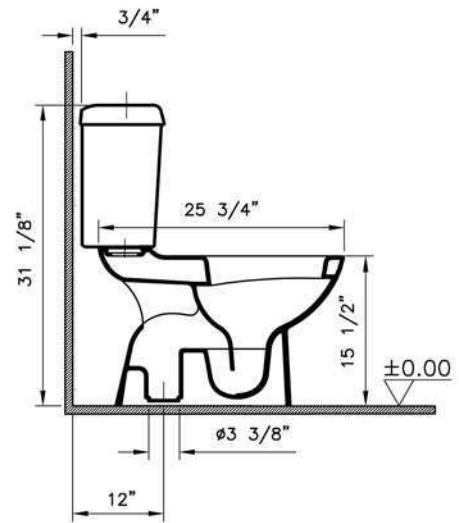


Description	: EverGreen Dual Flush Wash Down Two-piece toilet, 1.6 gpf / 0.8 gpf HET Round Front Bowl, BOWL ONLY, Extended Height, ADA Compliant
Model Numbers	: 5076BXXX-0075
Compatible Items	: 5055BXXX-5137 Tank with dual flush mechanism, fluidmaster fill valve, 12" rough in 05-XXX-001 Toilet Seat (with metal hinges) 05-XXX-002 Toilet Seat (with plastic hinges)
Water Consumption	: 1.6 GPF / 0.8 GPF
Water Surface	: 5 1/4" x 4 3/4"
Water Depth From Rim	: 10"
Rough in	: 12"
Minimum Water Pressure	: 20 psi
Trap Diameter	: Fully glazed 2" ball pass trapway with 2 1/8" trap diameter
Trap Seal Depth	: 2 1/8"
Shipping Weight	: 5076: 51 lbs. 5055: 42 lbs.
Shipping Dimensions	: 5076: 16"W x 27 3/4"L x 17 3/8"H 5055: 12 7/8"W x 19 7/8"L x 17 7/8"H
Installation Guide	: VitrA Guide # 312858
Included Components	: Tank fittings, bolt caps (white 310359 / bone biscuit 310306) Floor flange adapter (424545)
Material	: Vitreous China
Colors	: 003 White 017 Bone / 068 Biscuit (Basic colors) "XXX" indicates the color
Standards	: ASME A 112.19.2, CSA B45, LADWP/SPS (City of Los Angeles), CMR 248 (State of Massachusetts)
Warranty	: 10 year limited warranty

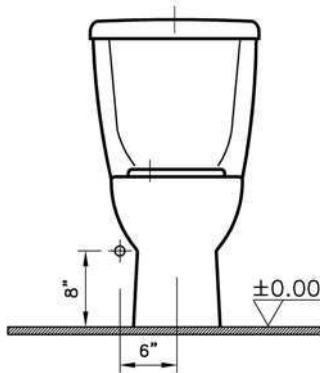
1



2



3



Notes:

- DIMENSIONS SHOWN FOR THE LOCATION OF THE SUPPLY IS SUGGESTED.
- INSTALLATION INSTRUCTIONS SUPPLIED WITH THE TOILET.

IMPORTANT: Dimensions of fixtures are nominal and may vary within the range of tolerances established by ASME Standard A 112.19.2, CSA Standard B45. These measurements may be subject to change. No responsibility is assumed for the use of superseded or voided pages.