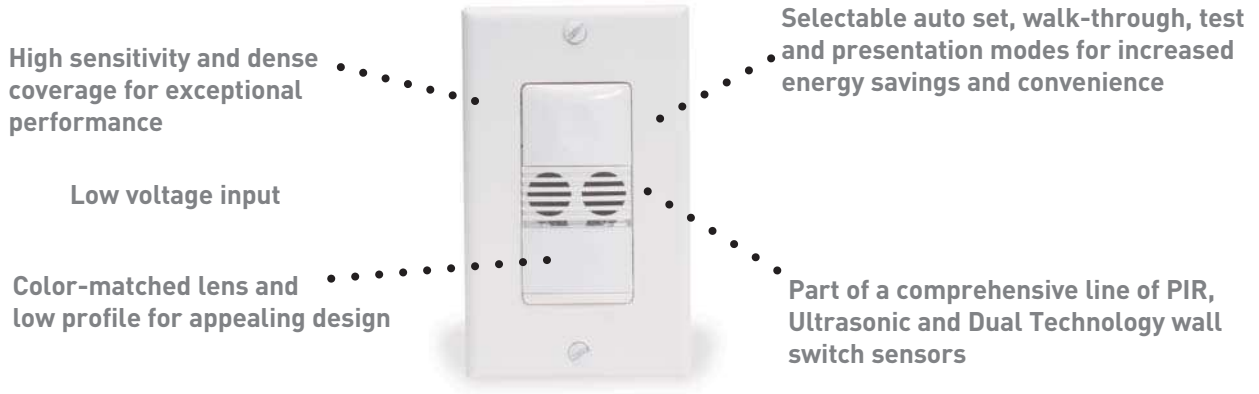


# DW-100-24 Dual Technology Low Voltage Wall Switch Sensor



PROJECT
LOCATION/TYPE

## Product Overview

### Description

The DW-100-24 dual technology low voltage wall switch sensor combines the benefits of passive infrared (PIR) and ultrasonic technologies to turn lights ON and OFF based on occupancy. It is characterized by high sensitivity to small and large movements, appealing aesthetics, and a variety of features.

### Operation

By default, when both PIR and ultrasonic technologies detect occupancy, lights turn ON automatically. Once the lights are ON, detection by either technology holds lights ON until occupancy is no longer detected and the time delay elapses. Through DIP switch settings the user can customize the sensor by choosing the combination of technology to turn-ON and hold-ON lights. Additional DIP switch settings allow for a variety of control options such as Auto-ON or Manual-ON, walk-through, and test mode.

### Low Voltage

Low voltage wall switch sensors can offer advantages over line voltage models. Using an isolated form-C relay output, the DW-100-24 sensor integrates seamlessly with VAV or other building systems for greater energy savings. Multiple DW-100-24 sensors can also be connected on a single circuit and can switch loads that exceed the rating of a standard line voltage switch. In addition, low voltage sensor installations do not require the use of conduits reducing installation costs and making relocation easier.

### Applications

WattStopper's dual technology has the flexibility to work in a variety of applications where one technology alone may not be sufficient. The DW-100-24 is the perfect choice for locations where line voltage wiring is not possible or for jurisdictions prohibiting the use of 277V switches. Common applications include small and executive offices, small and medium conference rooms and lunch/break rooms.

## Features

- Detection Signature Processing eliminates false triggers and provides immunity to RFI and EMI
- Zero-crossing for long relay life
- Vandal resistant lens combines precise coverage with durability
- Choice of Auto-ON or Manual-ON operation
- Selectable walk-through mode turns lights off three minutes after the room is initially occupied if no motion is detected after the first 30 seconds
- Test mode allows quick and easy adjustments
- Selectable audible alert for impending shutoff
- In automatic mode, sensor returns automatically to Auto-ON after lights are turned off manually; ideal for presentations
- Four occupancy logic options give users the ability to customize control to meet application needs
- Optional light level sensing with simple setup
- Override mode allows sensor to operate as a service switch in the unlikely event of a failure
- Sensor coverage tested to NEMA Guide Publication WD 7-2000
- Qualifies for ARRA-funded public works projects

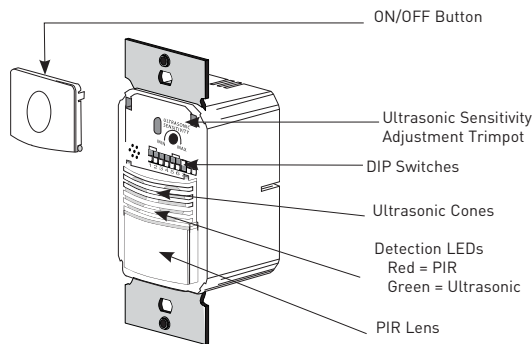


# Specifications

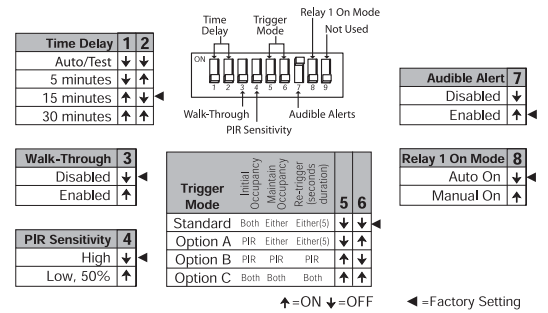
- 18-24 VDC, 24 VAC and halfwave rectified AC
- Current consumption: 35 mA
- DW-100-24 contains single-pole, double-throw isolated relay rated for 1 A @ 30 VDC
- Time delays: Auto set, fixed (5, 15 or 30 minutes), walk-through, test-mode
- Coverage:
  - Major motion, PIR 35' x 30', Ultrasonic 20' x 20'
  - Minor motion, PIR 20' x 15', Ultrasonic 15' x 15'
- Sensitivity adjustment: PIR (high/low), Ultrasonic (fully variable)
- Dimensions: 2.73" x 1.76" x 1.83" (69.3mm x 44.7mm x 46.5mm) L x W x D
- UL and cUL listed
- Five year warranty

# Controls & Settings

## Product Controls

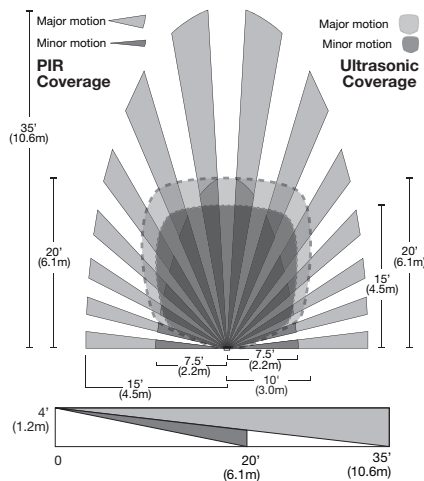


## DIP Switch Settings

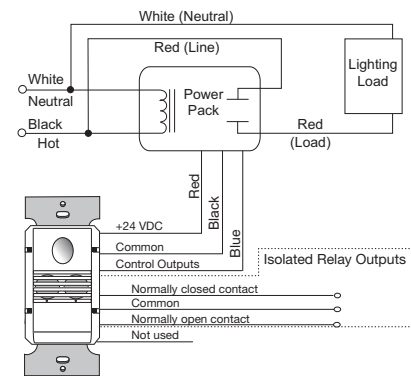


# Coverage & Wiring

## Coverage Pattern



## DW-100-24 Low Voltage Wiring



For best performance, WattStopper recommends using this sensor in spaces no larger than 18' x 15'.

# Ordering Information

Catalog No.	Color	Voltage
<input type="checkbox"/> DW-100-24-W	White	18-24 VDC, 24 VAC and halfwave rectified AC
<input type="checkbox"/> DW-100-24-W-U		
<input type="checkbox"/> DW-100-24-W-FTA		
<input type="checkbox"/> DW-100-24-LA	Lt. Almond	
<input type="checkbox"/> DW-100-24-I	Ivory	
<input type="checkbox"/> DW-100-24-G	Grey	
<input type="checkbox"/> DW-100-24-B	Black	

One ASP-211 single-gang cover plate included. Order ASP-422 for blank 2-gang cover plate, ASP-432 for 2-gang cover plate with switch option [specify color].