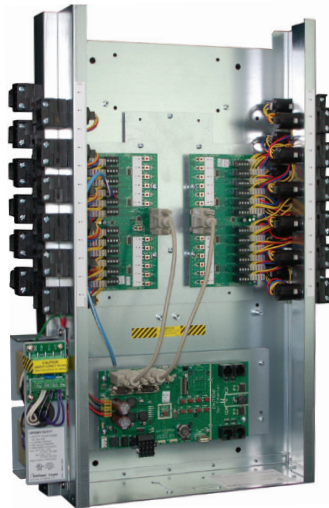


# LMCP Series Relay Panel Interiors (LMCP8, LMCP24, LMCP48)

Runs scheduled and photocell events autonomously

Easy setup via LMCT-100 handheld configuration tool

HDR relays include switch for manual override even when panel is powered off



Native BACnet communications for network control solutions

Compatible with Digital Lighting Management switches, sensors and input devices

99 control groups accessible via handheld configuration tool

## Product Overview

### Description

The LMCP series panel provides simple network-capable lighting control enabling the automation of lighting functions throughout an entire facility. The HDR relays in the panel can respond directly to inputs from Digital Lighting Management (DLM) switches, occupancy sensors, daylight sensors, and input modules.

### Operation

Relays in each LMCP panel can be assigned to up to 99 automation groups in any combination. Each group can respond to unique scheduled events and light/dark photocell operations set up via an LMCT-100 handheld configuration tool. A group can also respond to schedules sent from a Segment Manager or a BACnet-enabled building automation system (BAS). Individual relays, or groups of relays, can also be controlled by DLM digital switches, occupancy sensors, LMLS series daylight sensors, and LMIO series input modules. Controls are assigned to relays using Push n' Learn directly from the user input device, or via an LMCT-100.

## Features

- Standard single pole heavy duty relays UL and cUL listed for both lighting and plug loads
- Available in interiors sized for 8, 24, or 48 relays maximum
- LMCT-100 handheld configuration tool recommended for setup
- Runs event-based schedule routines independently (does not require BAS or Segment Manager)
- Supports astronomical, time-based, and photocell-based event types
- Two free-topology DLM Category 5e local networks for DLM sensors, switches, and LMIO series input modules
- Additional power available for low voltage switches or accessories
- Qualifies for use in ARRA-funded projects

PROJECT

LOCATION/TYPE

## Networking

Multiple panels may be networked together for global control operation without the use of a Segment Manager or BAS. The LMCP panel also provides a native-BACnet integration solution via BACnet MS/TP. Relay, group, and control device status, including occupancy sensor status, are available as BACnet objects. When a WattStopper Segment Manager is used, it will automatically recognize LMCP panels and map them to the browser-based user interface so that they can be configured with minimal additional setup.

## Applications

LMCP panels provide effective, code-compliant control of building exterior lighting as well as larger interior areas that are not suited for DLM distributed controls. Recommended applications include office building lobbies, corridors, loading docks, etc., as well as school gymnasiums, commons areas and hallways. LMCP panels are also ideal for retrofit scenarios where mounting control equipment near existing branch circuit breakers is beneficial and digital switch and sensor devices and load parameter configurability are required to meet complex operational sequences.

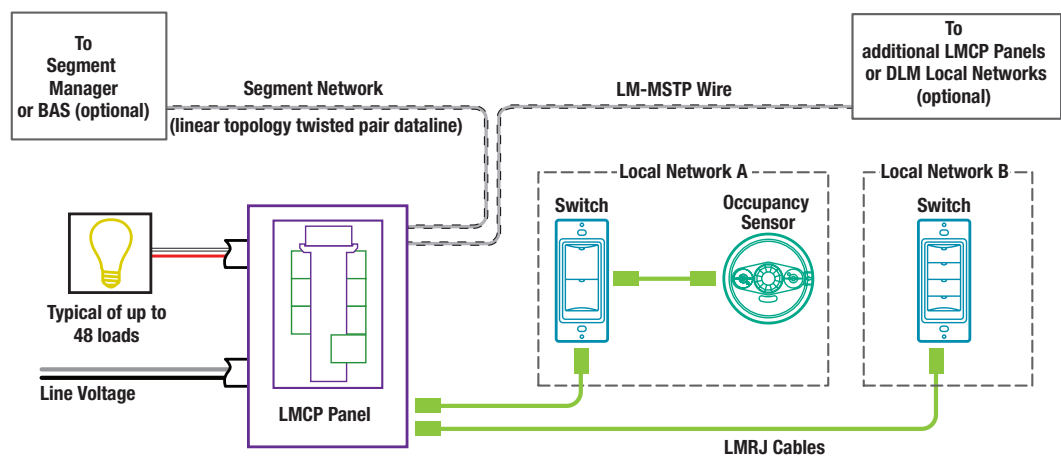


## Specifications

- Input voltage options, 120/277V 60 Hz, 120/347V, 60 Hz, 240V 50 Hz
- Class 2 connection to two independent DLM local networks:
  - 24VDC output, up to 250mA across 2 RJ45 ports per local network
- Free-topology DLM local network segments may include digital switches and sensors; Category 5e cable, up to 1,000 ft. total per local network
- Terminals for connection to DLM segment network (BACnet MS/TP)
- Segment network parameters:
  - WattStopper LM-MSTP wire
  - Linear topology; 4000 ft. maximum per segment
- Accessory power available:
  - LMCP8, 800 mA @ 24VDC
  - LMCP24, 1000 mA @ 24VDC
  - LMCP48, 1000 mA @ 24VDC
- HDR relays:
  - Coil voltage, 24 VDC, pulse ON and pulse OFF
  - Mechanically latched contacts
  - ½" K.O. mounting, LV plug-connection, individually replaceable
  - Contact ratings:
    - 30 amps ballast @ 277V
    - 20 amps ballast @ 347V
    - 20 amps tungsten @ 120V
    - 30 amps resistive @ 347V
    - 1.5 HP @ 120V
- SCCR (short circuit current rating) 14,000 amps with HDR Heavy Duty Relay
- Operating conditions: for indoor use only; 32-131 OF (0 - 55 OC); 5-95% RH, non-condensing
- UL and cUL listed
- Five year warranty

## Connecting

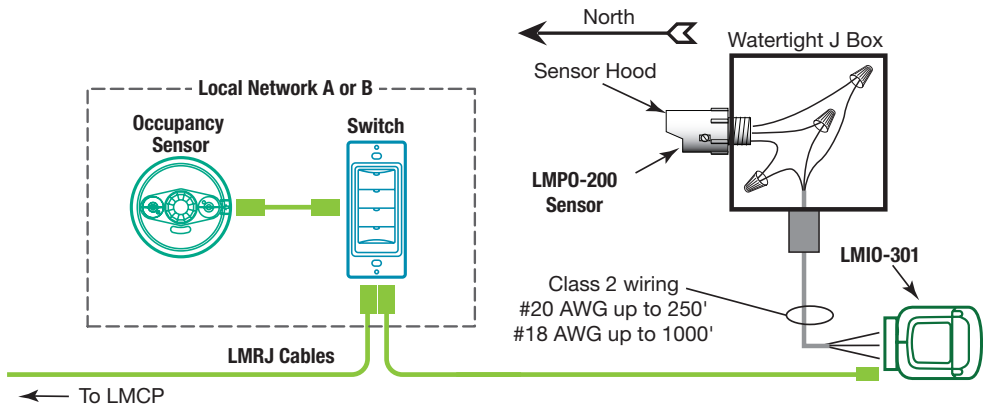
### Sample DLM Panel Connection Diagram





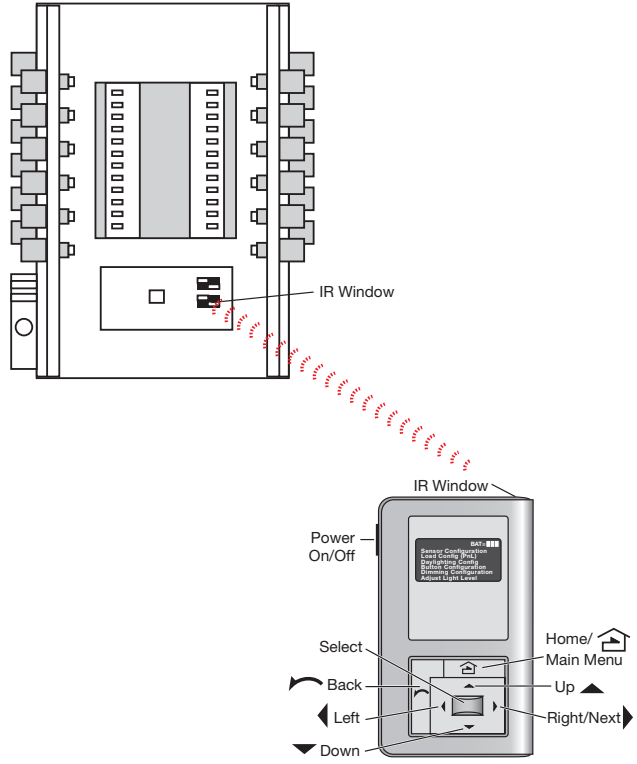
### Connecting

### LMIO-301 Connection and Wiring Diagram



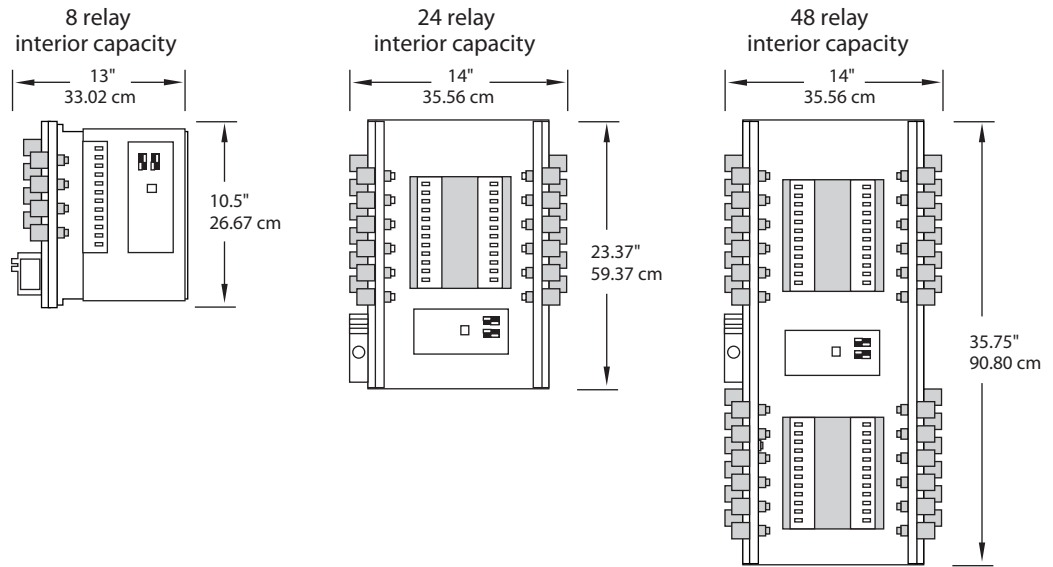
### Set Up and Diagnostics

### LMCP Set Up using LMCT-100 Handheld Configuration Tool





## Panel Interior Dimensions



## Ordering Information

Interior Capacity	Installed Options			
	Voltage Options	Relay Count	Emergency Relays	Coil Voltage
<input type="checkbox"/> LMCP8 <input type="checkbox"/> LMCP24 <input type="checkbox"/> LMCP48	<input type="checkbox"/> 115/277 <input type="checkbox"/> 115/347 <input type="checkbox"/> 240	___ HDR relays installed (max of interior capacity)	___ EM relay count (Not available in 8-relay size panels; max. of 24 in 24-relay or 48-relay size interior)	<input type="checkbox"/> 115 <input type="checkbox"/> 240 <input type="checkbox"/> 277 <input type="checkbox"/> 347
<input type="checkbox"/> LMCT-100	Digital Wireless Configuration Tool			

Order enclosures for LMCP panel interiors separately.