



ICC-ES Evaluation Report

Reissued May 2022

ESR-1255

This report is subject to renewal May 2024.

DIVISION: 07 00 00—THERMAL AND MOISTURE PROTECTION

Section: 07 81 33—Mineral-Fiber Fireproofing

REPORT HOLDER:

3M FIRE PROTECTION PRODUCTS

EVALUATION SUBJECT:

3M FIRE BARRIER DUCT WRAP 615+ BLANKET FOR GREASE DUCT ENCLOSURE ASSEMBLIES

1.0 EVALUATION SCOPE

Compliance with the following codes:

- 2018, 2015, 2012 and 2009 *International Building Code*® (IBC)
- 2018, 2015, 2012 and 2009 *International Mechanical Code*® (IMC)
- 2018, 2015, 2012 and 2009 IAPMO *Uniform Mechanical Code* (UMC)
- Other Codes (see Section 8.0)

Properties evaluated:

- Durability
- Fire resistance
- Noncombustibility
- Surface burning characteristics

2.0 USES

The 3M Fire Barrier Duct Wrap 615+ is a flexible blanket used to construct zero-clearance, fire-resistance-rated grease duct enclosure assemblies serving Type I kitchen hoods. The duct wrap material complies with 2018, 2015, 2012 IMC Section 506.3.11.2 (2009 IMC Section 506.3.10.2) and 2018 IAPMO UMC Sections 507.4.5 and 507.4.6 [(2015 IAPMO UMC Sections 507.3.5 and 507.3.6), (2012 IAPMO UMC Sections 507.2.5 and 507.2.6), (2009 IAPMO UMC Sections 507.2.6 and 510.7.3.1), and is an alternative to the one- and two-hour fire-resistance-rated enclosure requirements of 2018, 2015 and 2012 IBC Section 713.4 (2009 IBC Section 708.4) and

2018, 2015 and 2012 IAPMO UMC Section 510.7 (2009 IAPMO UMC Section 510.7.1), when installed in accordance with Section 4.0.

3.0 DESCRIPTION

3.1 Materials:

3.1.1 3M Fire Barrier Duct Wrap 615+ Blanket: The blanket consists of a monolithic layer of proprietary soluble, vitreous alkaline earth oxide (calcium-, silicone-, magnesium-oxide) fiber material encapsulated in a foil scrim, having a total nominal thickness of 1½ inches. It is packaged in rolls 25 feet (7.6 m) long and either 24 inches (610 mm) or 48 inches (1219 mm) wide. The blankets have a nominal density of 6 pcf and have a flame-spread index of 25 or less and a smoke-developed index of 50 or less when tested in accordance with ASTM E84. The 615+ blanket is classified as noncombustible when tested in accordance with ASTM E136.

3.1.2 Banding Material: Banding material must be minimum ½-inch-wide (12.7 mm), 0.015-inch-thick (3.8 mm) stainless steel or carbon steel strap. Tools used for banding are a hand tensioner and a clip seal crimping tool.

3.1.3 Duct System: The duct must comply with Section 506.3 of the IMC or Sections 510.1, 510.4 or 510.5 of the IAPMO UMC, as applicable. Under the IMC, grease ducts serving Type I hoods must be constructed either of minimum 0.0575-inch-thick (1.46 mm) (No. 16 gage) steel or of stainless steel at least 0.045 inch (1.14 mm) thick. Under the 2018 and 2015 IAPMO UMC, grease ducts serving Type I hoods must be constructed either of minimum 0.060-inch-thick (1.524 mm) (No. 16 MSG) steel or of stainless steel not less than 0.048 inch (1.219 mm) (No. 18 MSG) thick. Under the 2012 and 2009 IAPMO UMC, grease ducts serving Type I hoods must be constructed either of minimum 0.054-inch-thick (1.37 mm) (No. 16 MSG) steel or of stainless steel not less than 0.043 inch (1.09 mm) (No. 18 MSG) thick. Joints and seams of grease ducts must comply with Section 506.3.2 of the IMC, or Section 510.5.3 of the 2018 and 2015 IAPMO UMC (Section 510.5.2 of the 2012 and 2009 IAPMO UMC). Duct supports must comply with Section 506.3.3 of the IMC, or Sections 510.1.6 and 510.5.1 of the 2018, 2015, 2012 and 2012 IAPMO UMC (2009 IAPMO UMC Sections 510.1.7 and 510.5.1), as applicable, and

Section 4.2.3 of this report. Maximum duct size is 48 inches by 24 inches (1219 mm by 610 mm). Under IMC Section 506.3.2.5 or 2018 and 2015 IAPMO UMC Section 510.5.3.1, prior to the use or concealment of any portion of the grease duct system, a leakage test must be performed to determine that all welded joints and seams are liquid tight.

3.1.4 Sealants: 3M Fire Barrier 1000 N/S Silicone Sealant (Non-Slump) and 3M Fire Barrier 1003 S/L Silicone Sealant (Self-Leveling) are ready-to-use, one-component silicone elastomers used in through-penetration fire-stop assemblies described in Section 4.2.4. The sealants are packaged in cartridges and have a shelf life of 12 months from date of packaging when stored in a clean, dry area with temperatures between 40°F and 90°F (4.4°C and 32.2°C).

3.1.5 3M Fire Barrier Grease Duct Access Door and DuctMate ULtimate Door: The rectangular prefabricated access doors are UL listed Hood and Duct Accessories. The access doors are provided in three sizes: 12 inches by 8 inches (305 mm by 203 mm), 14 inches by 10 inches (356 mm by 254 mm) and 22 inches by 22 inches (559 mm by 559 mm). The access door assembly consists of the 3M access door, four 1/4-inch-diameter (6.4 mm) threaded extension rods, three layers of the 615+ blanket, a No. 16 gage cover plate, and wing nuts and washers.

4.0 INSTALLATION

4.1 General:

The Duct Wrap 615+ wrap materials are installed with zero clearance from the ducts, and may be installed with zero clearance from the insulating material to combustible construction. Grease ducts protected with Duct Wrap 615+ are permitted to penetrate nonfire-resistance-rated wall, floor-ceiling and roof-ceiling assemblies, provided the duct is protected from the point of penetration in accordance with this report. The systems are also permitted to penetrate fire-resistance-rated assemblies when the through-penetration is protected in accordance with Section 4.2.4 of this report. The systems comply with the requirements of IMC Section 602.2.1 and IAPMO UMC Section 602.2 for installation in plenums. The field-applied grease duct enclosure assemblies must be installed in accordance with IAPMO UMC Section 510.7.4.

4.2 Two-hour Fire-resistance-rated Enclosure Assembly:

4.2.1 Enclosure Assembly: The duct must be installed in accordance with IMC Section 506.3 or IAPMO UMC Sections 510.1, 510.4 or 510.5, as applicable. Ducts must have a maximum 48-inch-by-24-inch (610 mm by 1219 mm) cross-sectional opening. A total of two layers of blanket material is installed around the grease duct, using one of the four overlap techniques illustrated in Figure 1. Adjacent blankets on the inside layer are installed with either tight butt-joints between blankets or 3-inch (76 mm) perimeter and longitudinal overlaps. Edge joints of the second layer must be offset 10¹/₂ inches (267 mm) from those of the first layer. The second layer of blanket material must have minimum 3-inch (76 mm) perimeter and longitudinal overlaps. Before the insulation is applied on ducts of 24 inches and larger, 7-inch-long (178 mm), No. 12 gage, copper-coated, mild steel impaling pins must be welded to the duct on the underside of horizontal assemblies and vertical assemblies spaced as illustrated in Figure 1B. Galvanized, mild steel speed washers must be placed over each impaling pin to secure the blanket. Steel banding straps must be placed circumferentially, 1¹/₂ inches (38 mm) from the edge of the blanket and at

10¹/₂ inches (267 mm) on center. Material must not be installed that has been abused or damaged, e.g., stepped on, unintentionally cut or ripped. The tension in the banding straps must be sufficient to firmly retain the blanket materials, but not to unduly compress the blanket, and must not be so great as to cause any cutting or damage or compression to the blanket material. Seven-inch-long (178 mm), No. 12 gage, copper-coated, mild steel impaling pins, welded to the duct as shown in Figure 1B, can be used as an alternative to steel banding straps on any size duct.

4.2.2 Grease Duct Access Doors:

4.2.2.1 General: Grease duct access doors must comply with IMC Section 506.3.8 and IAPMO UMC Section 510.3, as applicable.

4.2.2.2 Prefabricated Access Doors: The 3M Fire Barrier Grease Duct Access Door Assembly or Ductmate Ultimate Doors are installed as illustrated in Figure 3. Three layers of the 615+ blanket must be installed over the access door such that each layer overlaps the preceding layer by 1 inch (25 mm) on all four sides. Edges of the outer layer of insulation blanket must be sealed with aluminum foil tape. A No. 16 gage steel plate the same size as the outer layer of insulation blanket must be secured over the outer layer of insulation.

4.2.2.3 Field-fabricated Access Doors: The access doors must be protected with three layers of 3M Fire Barrier Duct Wrap 615+ blanket material as illustrated in Figures 2 and 3. The first layer of blanket is cut the same size as the door, and the subsequent layers must overlap the previous layer by 1 inch (25.4 mm). Access door labels must be applied to all access doors.

4.2.3 Duct Support: Horizontal duct assemblies with maximum cross-sectional openings of 24 inches by 24 inches (610 mm by 610 mm) must be supported with minimum 3/8-inch-diameter (9.5 mm), all-thread steel rod and 2-inch-by-2-inch-by-1/8-inch (51 mm by 51 mm by 3.2 mm) steel angle, spaced a maximum of 60 inches (1524 mm) on center. A minimum clearance of 0 inch and a maximum clearance of 6 inches (152 mm) is required between the vertical edge of the blanket material surrounding the duct and the steel rod.

Horizontal duct assemblies with maximum dimensions of 24 inches by 48 inches (610 mm by 1219 mm) must be supported with minimum 1/2-inch-diameter (12.7 mm), all-thread steel rod and 2-inch-by-2-inch-by-1/4-inch (51 mm by 51 mm by 6.4 mm) steel angle spaced a maximum of 60 inches (1524 mm) on center. A minimum clearance of 0 inch (0 mm) and a maximum clearance of 6 inches (152 mm) is required between the vertical edge of the blanket material surrounding the duct and the steel rod.

Vertical assemblies must be supported as shown in Figure 4. Vertical ducts must be supported at every floor line on the top of the slab.

4.2.4 Through-penetration Fire-stop Assemblies: See Table 1 and Figures 4 and 5 for descriptions of various through-penetration firestop assemblies that are used with the 3M Fire Barrier Duct Wrap 615+ system. The forming material placed in the annular space must be compressed to fill the space. The forming material must be recessed the appropriate depth (identified as Sealant Depth in Table 1) for application of the sealant. The sealant must be flush with the wall or floor surface. On floors, the sealant must be overlapped onto the floor approximately 1 inch (25.4 mm) and onto the insulated duct approximately 1/4 inch (6.4 mm).

5.0 CONDITIONS OF USE

The 3M Fire Barrier Duct Wrap 615+ grease duct enclosure assembly described in this report complies with, or is a suitable alternative to what is specified in, those codes listed in Section 1.0 of this report, subject to the following conditions:

- 5.1 The enclosure systems must be constructed and installed in accordance with this report. In the event of a conflict between this report and the manufacturer's instructions, this report governs.
- 5.2 The blanket materials are manufactured for 3M in Coahuila, Mexico, under a quality control program with inspections by ICC-ES.

6.0 EVIDENCE SUBMITTED

Data in accordance with ASTM E2336 and the ICC-ES Acceptance Criteria for Field-applied Grease Duct Enclosure Assemblies (AC101.1), dated December 2012 (editorially revised October 2018).

7.0 IDENTIFICATION

- 7.1 The 3M Fire Barrier Duct Wrap 615+ blanket material must bear a label indicating the product name, the 3M Fire Protection Products name and address, clearance to combustible construction in accordance with the applicable code, and the evaluation report number (ESR-1255). The wording "Fire-resistive Enclosure, Do Not Remove" must be printed on the blankets at maximum 24-inch (610 mm) intervals.

The 3M Fire Barrier Duct Wrap 615+ blanket material covering access opening panels shall be labeled with the wording "ACCESS PANEL. DO NOT OBSTRUCT." As an alternative to labeling the insulation material, a sign including "ACCESS PANEL. DO NOT OBSTRUCT." must be installed in the field over the insulation material covering the access opening panels.

The 3M Fire Barrier Grease Duct Access Doors are identified by a label bearing the 3M Company name and address, and the product name.

The Ductmate Ultimate Doors are identified by a label bearing the Ductmate Industries, Inc.'s name and address, and the product name.

Sealants must be identified by the 3M company name and address, and the product name.

- 7.2 The report holder's contact information is the following:

3M FIRE PROTECTION PRODUCTS
3M CENTER, BUILDING 223-2N-20
ST. PAUL, MINNESOTA 55144-1000
(651) 733-0973
www.3m.com/firestop

8.0 OTHER CODES:

In addition to the codes referenced in Section 1.0, the products described in this report were evaluated for compliance with the requirements of the following codes:

- 2006 *International Building Code*® (2006 IBC)
- 2006 *International Mechanical Code*® (2006 IMC)
- 2006 IAPMO *Uniform Mechanical Code* (2006 UMC)
- 2003 *International Building Code*® (2003 IBC)
- 2003 *International Mechanical Code*® (2003 IMC)
- 2003 IAPMO *Uniform Mechanical Code* (2003 UMC)

The products comply with the above-mentioned codes as described in Sections 2.0 through 7.0 of this report, except the applicable code sections are as follows for the report sections cited:

- Section 2.0:
 - Grease duct enclosures:
 - 2006 and 2003 IMC Section 506.3.10
 - Shaft enclosures:
 - 2006 and 2003 IBC Section 707.4
 - 2006 and 2003 UMC Section 510.7.1
- Section 3.2:
 - Joints and seams of grease ducts:
 - 2006 and 2003 IMC Section 506.3.2
 - 2006 and 2003 UMC Section 510.5.2
 - Duct supports:
 - 2006 and 2003 IMC Section 506.3.3
 - 2006 and 2003 UMC Sections 510.1.7 and 510.5.1
- Section 4.1:
 - 2006 and 2003 IMC Section 602.2.1
 - 2006 and 2003 UMC Section 602.2
- Section 4.2.2.1:
 - 2006 IMC Section 506.3.8
 - 2003 IMC Sections 506.3.9 and 506.3.11
 - 2006 and 2003 UMC Section 510.3

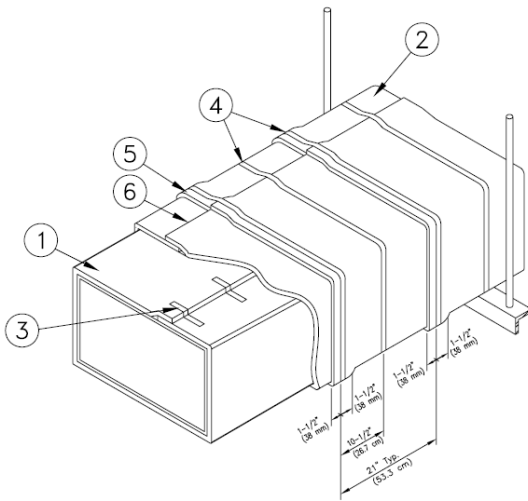
TABLE 1—THROUGH-PENETRATION FIRESTOP ASSEMBLIES¹

MAXIMUM DUCT SIZE (inches by inches)	WALL, FLOOR OR CEILING CONSTRUCTION	ANNULAR SPACE (inches)		PENETRATION FIRESTOP		FIRE-RESISTANCE RATING (hours)	
		Min.	Max.	Forming Materials	Sealant Depth (inches)	F-Rating	T-Rating
24 x 30, wrapped with 3M Duct Wrap through-penetration	No. 25 gage steel studs with one layer of 5/8-inch gypsum board on both sides	5/8	3 1/2	Unfaced 3M Duct Wrap or min. 4 pcf mineral wool compressed 25 percent	5/8, both sides	1	NA
24 x 30, wrapped with 3M Duct Wrap through-penetration	No 25 gage steel studs with two layers of 5/8-inch gypsum board on both sides	1	3 1/2	Unfaced 3M Duct Wrap or min. 4 pcf mineral wool compressed to fill the annular space	5/8, both sides	2	NA
24 x 30, wrapped with 3M Duct Wrap through-penetration	2-by-10 wood joists, with 5/8-inch gypsum board on the bottom side and 3/4-inch plywood on the top side	1	2 1/2	Unfaced 3M Duct Wrap or min. 4 pcf mineral wool compressed 25 percent	3/4, top surface	1	1
24 x 30, wrapped with 3M Duct Wrap through-penetration	4 1/2-inch reinforced concrete slab	1 1/4	2 1/2	Unfaced 3M Duct Wrap or min. 4 pcf mineral wool compressed to fill the annular space	7/16, top surface	2	2
24 x 30, bare duct through-penetration	4 1/2-inch reinforced concrete slab	1	2	Unfaced 3M Duct Wrap or min. 4 pcf mineral wool compressed 25 percent	3/8, top surface	2	2
24 x 48, wrapped with 3M Duct Wrap through-penetration	4 1/2-inch reinforced concrete slab	1	4 1/2	Unfaced 3M Duct Wrap or min. 4 pcf mineral wool compressed 56 percent	1/4, top surface	2	2

For SI: 1 inch = 25.4 mm.

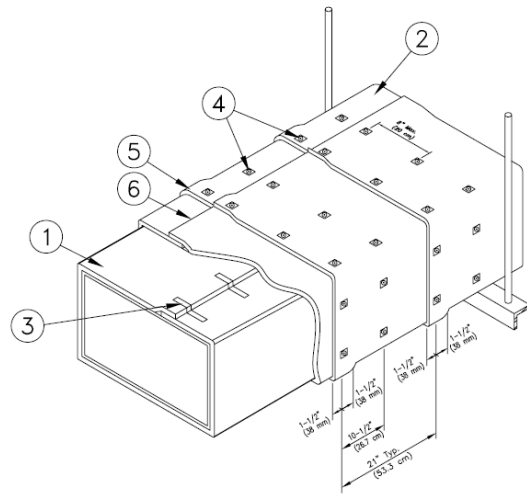
¹See Figure 4 and Figure 5 for an illustration of components.

FIGURE 1A
 3M FIRE BARRIER DUCT WRAP 615+
 COMMERCIAL KITCHEN GREASE DUCT SYSTEMS
 1 OR 2 HOUR SHAFT ALTERNATIVE ZERO CLEARANCE TO COMBUSTIBLES
 TELESCOPING TECHNIQUE W/BANDING ONLY
 FOR DUCTS 24" (60.9 CM) OR LESS



- | | |
|----|--|
| 1. | First Layer 3M Fire Barrier Duct Wrap 615+ |
| 2. | Second Layer 3M Fire Barrier Duct Wrap 615+ |
| 3. | Filament Tape For Temporary Hold On 1st Layer Duct Wrap |
| 4. | Steel Banding 1/2 in. (13 mm) Wide Min. Typical 10-1/2" O.C. |
| 5. | 3 in. (76 mm) Min. Longitudinal Overlap |
| 6. | 3 in. (76 mm) Min. Perimeter Overlap |
- System integrity is limited by quality of installation.

FIGURE 1B
 3M FIRE BARRIER DUCT WRAP 615+
 COMMERCIAL KITCHEN GREASE DUCT SYSTEMS
 1 OR 2 HOUR SHAFT ALTERNATIVE ZERO CLEARANCE TO COMBUSTIBLES
 TELESCOPING TECHNIQUE W/WELD PINS ONLY



- | | |
|----|--|
| 1. | First Layer 3M Fire Barrier Duct Wrap 615+ |
| 2. | Second Layer 3M Fire Barrier Duct Wrap 615+ |
| 3. | Filament Tape For Temporary Hold On 1st Layer Duct Wrap |
| 4. | 1-1/2" Square (38mm) or 1-1/2" dia (38mm) galvanized speed clips |
| 5. | 3 in. (76 mm) Min. Longitudinal Overlap |
| 6. | 3 in. (76 mm) Min. Perimeter Overlap |
- System integrity is limited by quality of installation.

FIGURE 1C TELESCOPING OVERLAP WRAP OPTION
 CROSS SECTIONAL VIEW

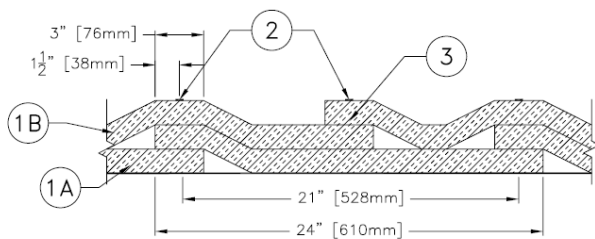


FIGURE 1D BUTT JOINT WITH COLLAR OPTION
 CROSS SECTIONAL VIEW

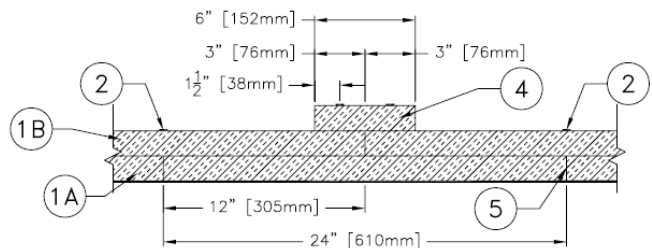


FIGURE 1E CHECKERBOARD OVERLAP OPTION
 CROSS SECTIONAL VIEW

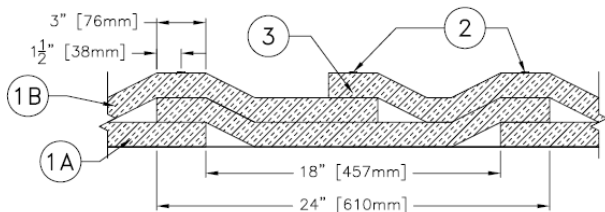
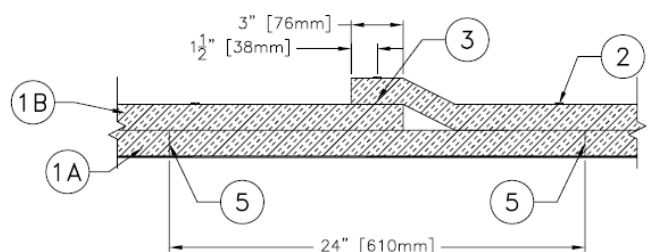
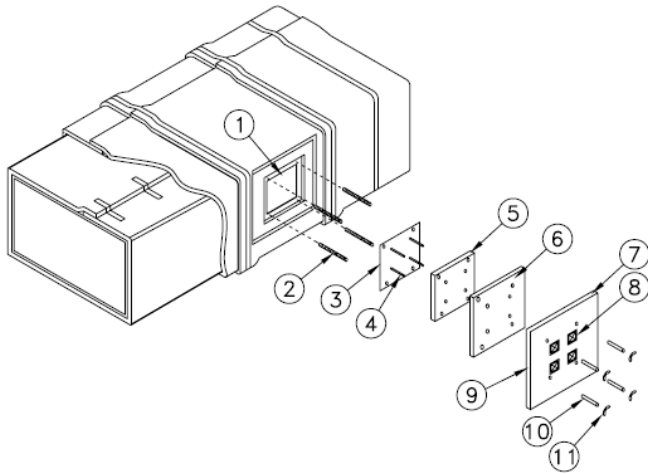


FIGURE 1F BUTT/OVERLAP OPTION
 CROSS SECTIONAL VIEW



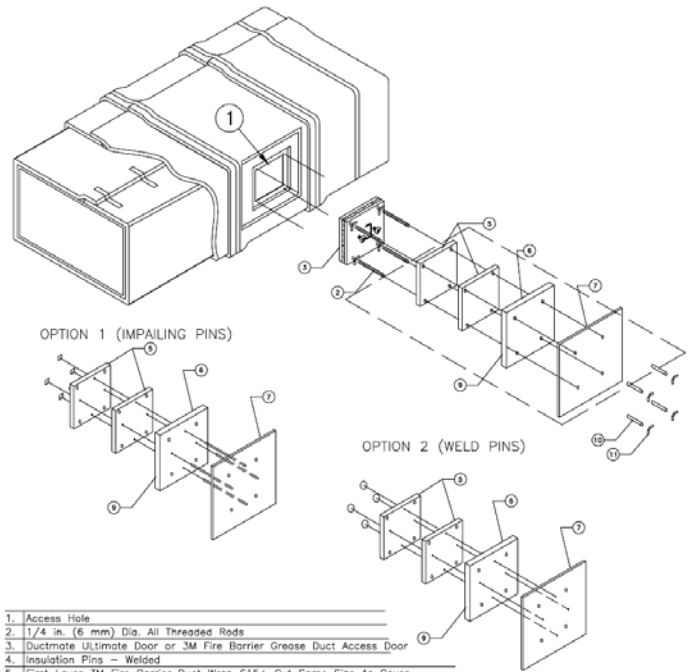
- | | |
|-----|---|
| 1A. | First Layer 3M Fire Barrier Duct Wrap 615+ |
| 1B. | Second Layer of 3M Fire Barrier Duct Wrap 615+ |
| 2. | Carbon or Stainless Steel Banding |
| 3. | 3 in. (76 mm) Min. Longitudinal Overlap |
| 4. | 6 in. (152 mm) Wide Collar Made from 3M Fire Barrier Duct Wrap 615+ |
| 5. | Firmly Butted Joint |
- System integrity is limited by quality of installation.

FIGURE 1—TYPICAL APPLICATION OF DUCT WRAP



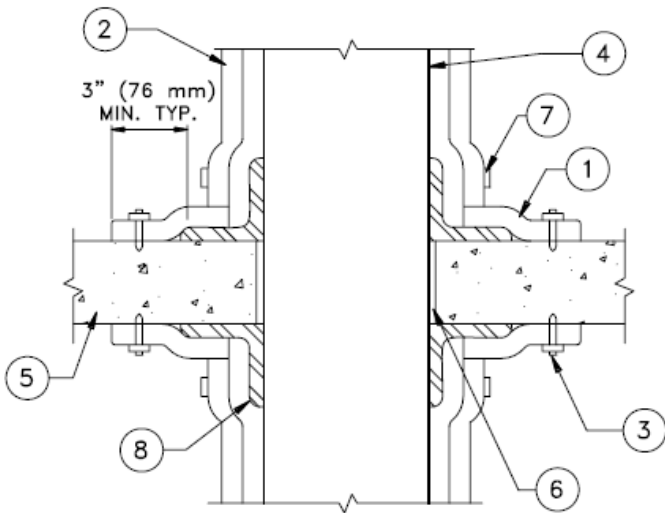
- | | |
|-----|---|
| 1. | Access Hole |
| 2. | 1/4 in. (6 mm) Dia. All Threaded Rods |
| 3. | Access Cover - 16 Gauge |
| 4. | Insulation Pins - Welded |
| 5. | First Layer 3M Fire Barrier Duct Wrap 615+ Cut Same Size As Cover |
| 6. | Second Layer 3M Fire Barrier Duct Wrap 615+ with 1 in. (25 mm) Overlap On All Sides |
| 7. | Third Layer 3M Fire Barrier Duct Wrap 615+ with 1 in. (25 mm) Overlap On All Sides |
| 8. | Speed Clips |
| 9. | Aluminum Tape Covering All Exposed Edges |
| 10. | Spool Pieces For Threaded Rods |
| 11. | 1/4 in. (6 mm) Diameter Wing Nuts |
- System integrity is limited by quality of installation.

FIGURE 2—3M FIRE BARRIER DUCT WRAP 615+ COMMERCIAL KITCHEN GREASE DUCT SYSTEMS, 1- OR 2-HOUR, ACCESS DOOR SYSTEM



- | | |
|-----|---|
| 1. | Access Hole |
| 2. | 1/4 in. (6 mm) Dia. All Threaded Rods |
| 3. | Ductmate Ultimate Door or 3M Fire Barrier Grease Duct Access Door |
| 4. | Insulation Pins - Welded |
| 5. | First Layer 3M Fire Barrier Duct Wrap 615+ Cut Same Size As Cover |
| 6. | Second Layer 3M Fire Barrier Duct Wrap 615+ with 1 in. (25 mm) Overlap On All Sides |
| 7. | Third Layer 3M Fire Barrier Duct Wrap 615+ with 1 in. (25 mm) Overlap On All Sides |
| 8. | Speed Clips |
| 9. | Aluminum Tape Covering All Exposed Edges |
| 10. | Spool Pieces For Threaded Rods |
| 11. | 1/4 in. (6 mm) Diameter Wing Nuts |
- System integrity is limited by quality of installation.

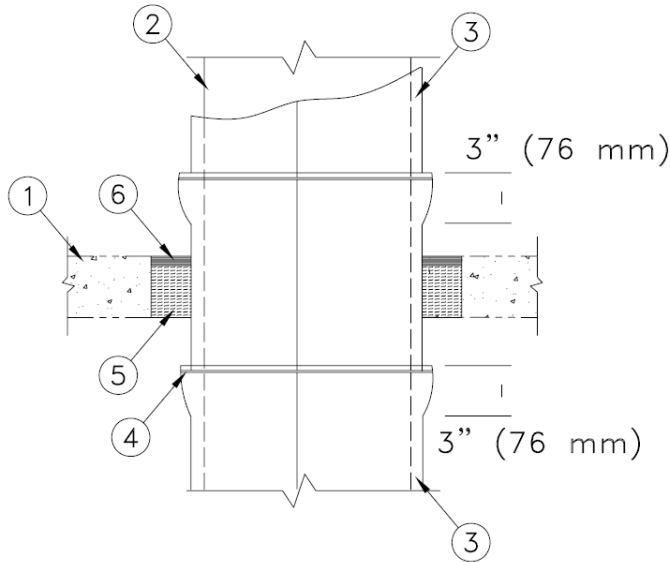
FIGURE 3—3M FIRE BARRIER OR DUCTMATE ULTIMATE GREASE ACCESS DOOR



- | | |
|----|---|
| 1. | First Layer 3M Fire Barrier Duct Wrap 615+ |
| 2. | Second Layer 3M Fire Barrier Duct Wrap 615+ |
| 3. | Mechanical Fasteners and Washers |
| 4. | Duct |
| 5. | Rated Floor/Ceiling |
| 6. | Firestopping System |
| 7. | Banding |
| 8. | Support Channel |
- System integrity is limited by quality of installation.

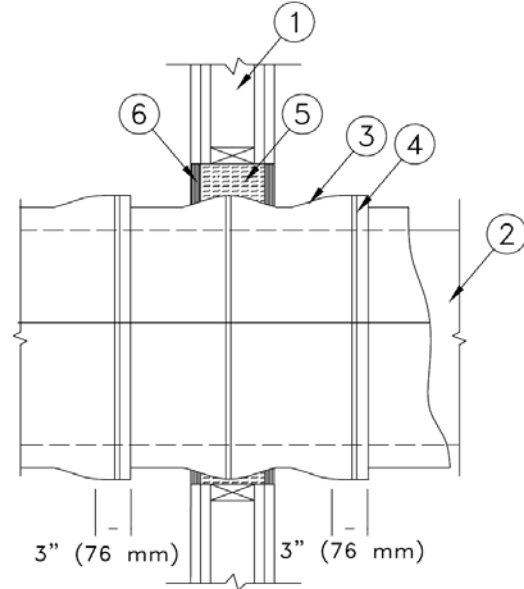
FIGURE 4—3M FIRE BARRIER DUCT WRAP 615+ COMMERCIAL KITCHEN GREASE DUCT SYSTEMS, 1- OR 2-HOUR, VERTICAL SUPPORT

FIGURE 5A
3M FIRE BARRIER DUCT WRAP 615+
COMMERCIAL KITCHEN GREASE DUCT SYSTEMS
1 OR 2 HOUR THROUGH PENETRATION SYSTEMS
4-1/2 INCH (11,4cm) CONCRETE FLOOR OR WALL



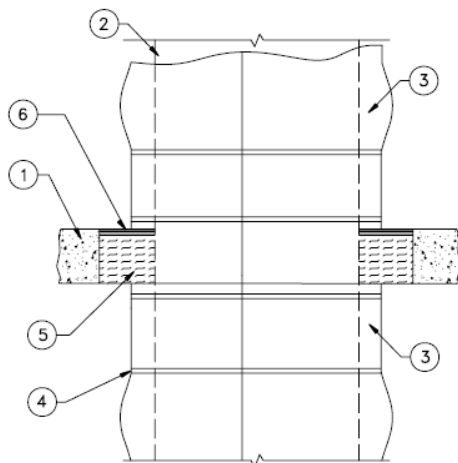
- | |
|---|
| 1. Floor/Ceiling or Wall Assembly |
| 2. Duct |
| 3. 2 Layers 3M Fire Barrier Duct Wrap 615+ |
| 4. Banding or Pinning |
| 5. Packing Material |
| 6. 3M Fire Barrier 1000 NS or 1003 SL Silicone Sealant
(Note: 1003 SL for floors only)
For Wall Assembly Apply Sealant To Both Sides of Wall. |
- System integrity is limited by quality of installation.

FIGURE 5B
3M FIRE BARRIER DUCT WRAP 615+
COMMERCIAL KITCHEN GREASE DUCT SYSTEMS
1 OR 2 HOUR THROUGH PENETRATION SYSTEMS
FIRE-RATED GYPSUM WALLBOARD



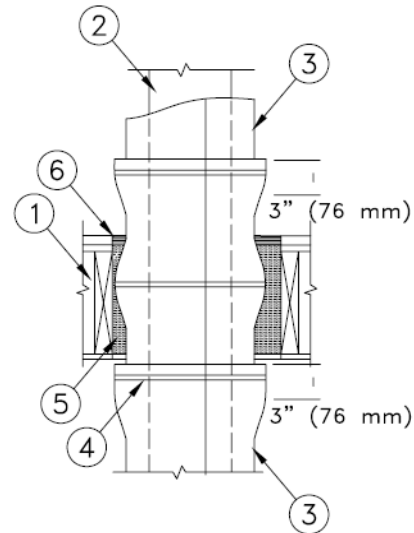
- | |
|---|
| 1. Gypsum Wallboard Assembly (1 layer for 1 hour, 2 layers for 2 hours) |
| 2. Duct |
| 3. 2 Layers 3M Fire Barrier Duct Wrap 615+ |
| 4. Banding or Pinning |
| 5. Packing Material |
| 6. 3M Fire Barrier 1000 NS or 1003 SL Silicone Sealant |
- System integrity is limited by quality of installation.

FIGURE 5C
3M FIRE BARRIER DUCT WRAP 615+
COMMERCIAL KITCHEN GREASE DUCT SYSTEMS
1 OR 2 HOUR THROUGH PENETRATION SYSTEMS
4-1/2 INCH (11,4cm) CONCRETE FLOOR OR WALL



- | |
|---|
| 1. Floor/Ceiling or Wall Assembly |
| 2. Duct |
| 3. 2 Layers 3M Fire Barrier Duct Wrap 615+ |
| 4. Banding or Pinning |
| 5. Packing Material |
| 6. 3M Fire Barrier 1000 NS or 1003 SL Silicone Sealant
(Note: 1003 SL for floors only)
For Wall Assembly Apply Sealant To Both Sides of Wall. |
- System integrity is limited by quality of installation.

FIGURE 5D
3M FIRE BARRIER DUCT WRAP 615+
COMMERCIAL KITCHEN GREASE DUCT SYSTEMS
1 HOUR THROUGH PENETRATION SYSTEMS
FIRE RATED WOOD/GYPSUM - FLOOR/CEILING ASSEMBLY



- | |
|--|
| 1. Fire Rated Floor/Ceiling Assembly |
| 2. Duct |
| 3. 2 Layers 3M Fire Barrier Duct Wrap 615+ |
| 4. Banding or Pinning |
| 5. Packing Material |
| 6. 3M Fire Barrier 1000 NS or 1003 SL Silicone Sealant |
- System integrity is limited by quality of installation.

DIVISION: 07 00 00—THERMAL AND MOISTURE PROTECTION**Section: 07 81 33—Mineral-Fiber Fireproofing****REPORT HOLDER:****3M FIRE PROTECTION PRODUCTS****EVALUATION SUBJECT:****3M FIRE BARRIER DUCT WRAP 615+ BLANKET FOR GREASE DUCT ENCLOSURE ASSEMBLIES****1.0 REPORT PURPOSE AND SCOPE****Purpose:**

The purpose of this evaluation report supplement is to indicate that 3M Fire Barrier Duct Wrap 615+ Blanket, described in ICC-ES evaluation report ESR-1255, has also been evaluated for compliance with of the codes noted below.

Applicable code editions:■ 2016 *California Building Code* (CBC)

For evaluation of applicable chapters adopted by the California Office of Statewide Health Planning and Development (OSHPD) and Division of State Architect (DSA), see Sections 2.1.1 and 2.1.2 below.

■ 2016 *California Mechanical Code* (CMC)

For evaluation of applicable chapters adopted by the California Office of Statewide Health Planning and Development (OSHPD) and Division of State Architect (DSA), see Sections 2.2.1 and 2.2.2 below.

2.0 CONCLUSIONS**2.1 CBC:**

The 3M Fire Barrier Duct Wrap 615+ Blanket for Grease Duct Enclosure Assemblies, described in Sections 2.0 through 7.0 of the evaluation report ESR-1255, are zero-clearance, fire-resistance-rated grease duct enclosure assemblies serving Type I kitchen hoods, that comply with CBC Sections 712.1.6, 714.3.1.2 and 714.4.1.2, provided the design and installation are in accordance with the 2015 *International Building Code*® (IBC) provisions noted in the evaluation report and the additional requirements of CBC Chapter 7, as applicable.

2.1.1 OSHPD: The 3M Fire Barrier Duct Wrap 615+ Blanket for Grease Duct Enclosure Assemblies, described in Sections 2.0 through 7.0 of the evaluation report ESR-1255, comply with CBC adopted Sections 712.1.6, 714.3.1.2 and 714.4.1.2 [OSHPD 1, 2 & 4] provided the design and installation are in accordance with the 2015 *International Building Code*® (IBC) provisions noted in the evaluation report and the additional requirements of CBC Chapter 7, as applicable.

2.1.2 DSA: The 3M Fire Barrier Duct Wrap 615+ Blanket for Grease Duct Enclosure Assemblies, described in Sections 2.0 through 7.0 of the evaluation report ESR-1255, comply with CBC adopted Sections 712.1.6, 714.3.1.2 and 714.4.1.2 [DSA-SS & DSA-SS/CC] provided the design and installation are in accordance with the 2015 *International Building Code*® (IBC) provisions noted in the evaluation report and the additional requirements of CBC Chapter 7, as applicable.

2.2 CMC:

The 3M Fire Barrier Duct Wrap 615+ Blanket for Grease Duct Enclosure Assemblies, described in Sections 2.0 through 7.0 of the evaluation report ESR-1255, are zero-clearance, fire-resistance-rated grease duct enclosure assemblies serving Type I kitchen hoods, that comply with CMC Sections 507.3.5 and 507.3.6 and the Exception to CMC Section 510.7.3, provided the design and installation are in accordance with the 2015 IAPMO *Uniform Mechanical Code*® (IAPMO UMC) provisions noted in the evaluation report.

2.2.1 OHSPD: The 3M Fire Barrier Duct Wrap 615+ Blanket for Grease Duct Enclosure Assemblies, described in Sections 2.0 through 7.0 of the evaluation report ESR-1255, comply with CMC adopted Sections 507.3.5 and 507.3. and the Exception to CMC Section 510.7.3 [OSHPD 1, 2, 3 & 4], provided the design and installation are in accordance with the 2015 IAPMO *Uniform Mechanical Code*[®] (IAPMO UMC) provisions noted in the evaluation report.

2.2.2 DSA: The 3M Fire Barrier Duct Wrap 615+ Blanket for Grease Duct Enclosure Assemblies, described in Sections 2.0 through 7.0 of the evaluation report ESR-1255, comply with CMC adopted Sections 507.3.5 and 507.3. and the Exception to CMC Section 510.7.3 [DSA-SS & DSA-SS/CC], provided the design and installation are in accordance with the 2015 IAPMO *Uniform Mechanical Code*[®] (IAPMO UMC) provisions noted in the evaluation report.

This supplement expires concurrently with the evaluation report reissued May 2022.