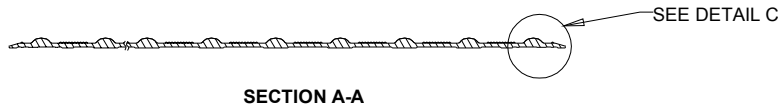
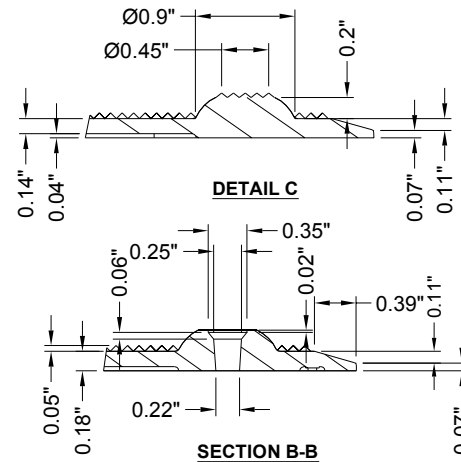
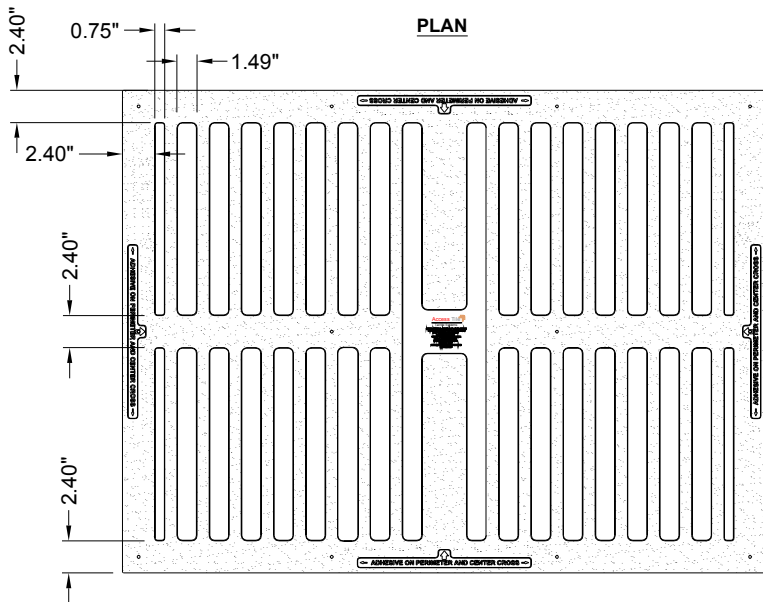
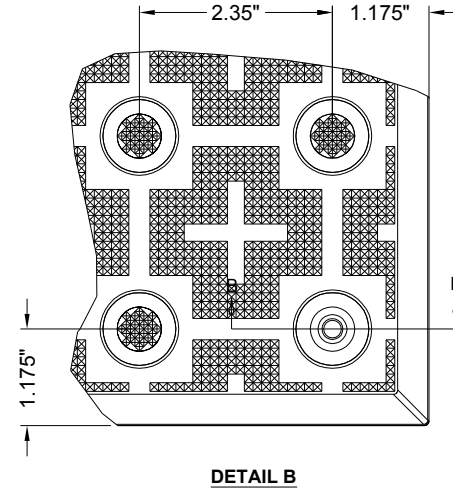
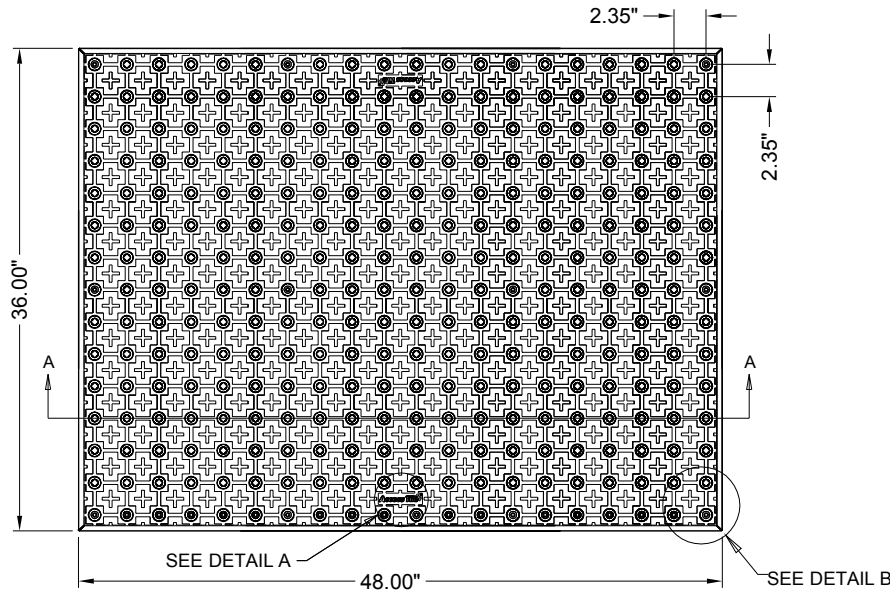


**3'X4'**

**SURFACE APPLIED  
2.35" DOME SPACING**

www.AccessTile.com 888-679-4022



www.AccessTile.com

Access Products Inc

© Access Products Inc.  
ACCESS, ACCESS TILE, ACCESS AND THE THREE AND TWO DIMENSIONAL DESIGNS ON THE TILE BETWEEN DOMES AND ON DOMES ARE TRADEMARKS OF ENGINEERED SYSTEMS INC. PATENTS PENDING IN THE UNITED STATES, CANADA AND INTERNATIONALLY MANUFACTURED AND DISTRIBUTED UNDER LICENSE BY ACCESS WORLD PRODUCTS INCORPORATED www.accesstile.com  
© KENNETH E. SZEKELY

**MATERIAL LIST**

ITEM	DESCRIPTION	PART NO.	QTY
1	ACCESS TILE	ACC-S-3X4	1
2	Tek™ ANCHOR	ACC-S-ANCH	12
3	TACTILE BOND AND SEAL	TBS-010	1 ea

NOTE: FASTENERS AND 1 TUBE OF TACTILE BOND AND SEAL ARE INCLUDED WITH TILE

**REFERENCE DRAWINGS**

DWG. NO.	DESCRIPTION

No.	DATE	REVISION	APPR.

SCALE 1"=1'-0" U.N.O. FULL SIZE ONLY

DESIGNED	KES	DATE	10/09/2008
DRAWN	RWO	DATE	10/15/2008
CHECKED	KES		

PROJECT MANAGER	
TRADE	Detectable Warning Surface
PART NO.	ACC-S-3X4

MATERIAL POLYMER COMPOSITE

SUBJECT **ACCESS TILE®**  
TRUNCATED DOME, DETECTABLE WARNING TACTILE SURFACE

PROJECT **ACCESS TILE®**  
TRUNCATED DOME, DETECTABLE WARNING TACTILE SURFACE  
3X4 SURFACE APPLIED  
INLINE DOME TILE DRAWING.

DRAWING NO.	ACC-S-3X4	REV. NO.	Ø
-------------	-----------	----------	---