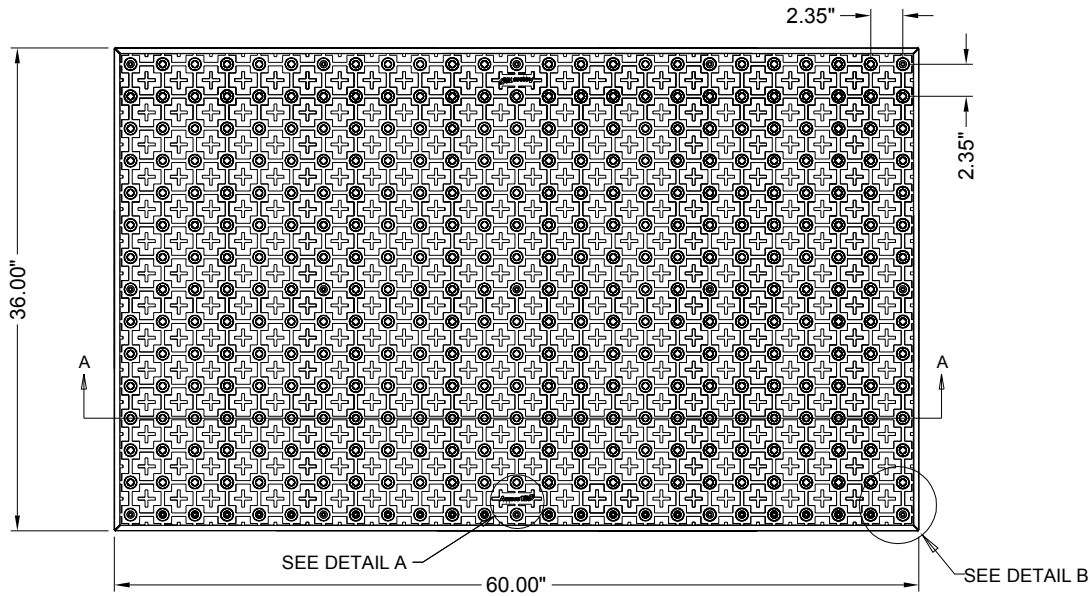


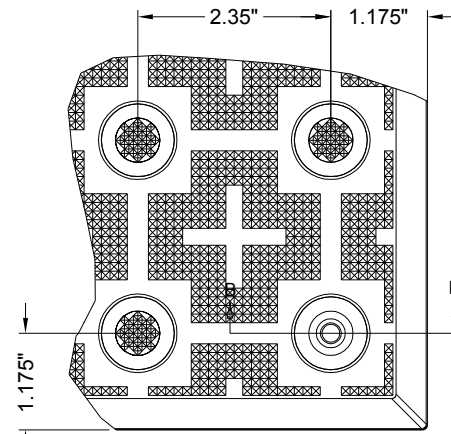
3'X5'

**SURFACE APPLIED
2.35" DOME SPACING**

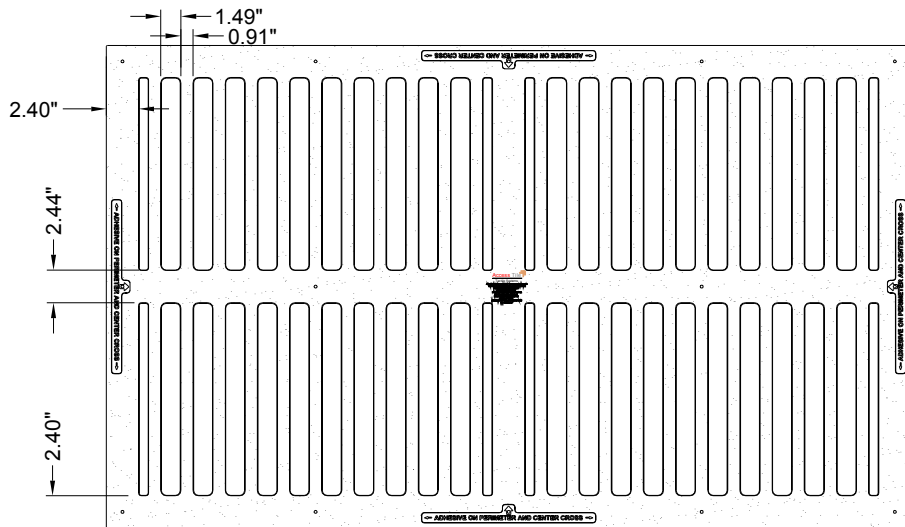
www.AccessTile.com 888-679-4022



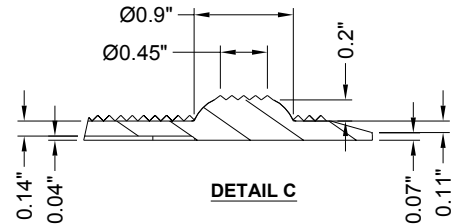
PLAN



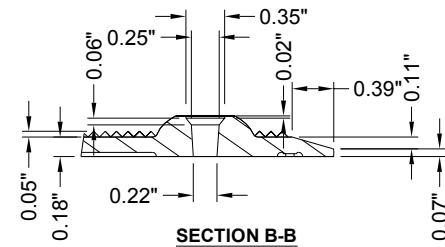
DETAIL B



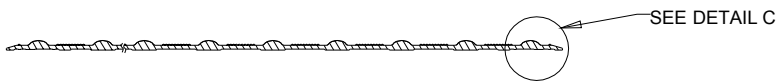
UNDERSIDE VIEW



DETAIL C



SECTION B-B



SECTION A-A



www.AccessTile.com

Access Products Inc

© Access Products Inc.
ACCESS, ACCESS TILE, ACCESS AND THE THREE AND TWO
DIMENSIONAL DESIGNS ON THE TILE BETWEEN DOMES
AND ON DOMES ARE TRADEMARKS OF
ENGINEERED SYSTEMS INC.
PATENTS PENDING IN THE UNITED STATES,
CANADA AND INTERNATIONALLY
MANUFACTURED AND DISTRIBUTED
UNDER LICENSE BY
ACCESS WORLD PRODUCTS INCORPORATED
www.accesstile.com
KENNETH E.
SZEKELY

MATERIAL LIST

ITEM	DESCRIPTION	PART NO.	QTY
1	ACCESS TILE	ACC-S-3X5	1
2	Tek™ ANCHOR	ACC-S-ANCH	15
3	TACTILE BOND AND SEAL	TBS-010	1 ea

NOTE: FASTENERS AND 1 TUBE OF TACTILE BOND AND SEAL ARE INCLUDED WITH TILE

REFERENCE DRAWINGS

DWG. NO.	DESCRIPTION

No.	DATE	REVISION	APPR.

SCALE 1"=1'-0" U.N.D. FULL SIZE ONLY

DESIGNED KES DATE 10/09/2008

DRAWN RWO DATE 10/15/2008

CHECKED KES

PROJECT MANAGER

TRADE DETECTABLE WARNING SURFACE PART NO. ACC-S-3X5

MATERIAL POLYMER COMPOSITE

SUBJECT **ACCESS TILE®**
TRUNCATED DOME, DETECTABLE
WARNING TACTILE SURFACE

PROJECT **ACCESS TILE®**
TRUNCATED DOME, DETECTABLE
WARNING TACTILE SURFACE
3X5 SURFACE APPLIED
INLINE DOME TILE DRAWING.

DRAWING NO. ACC-S-3X5 REV. NO. Ø