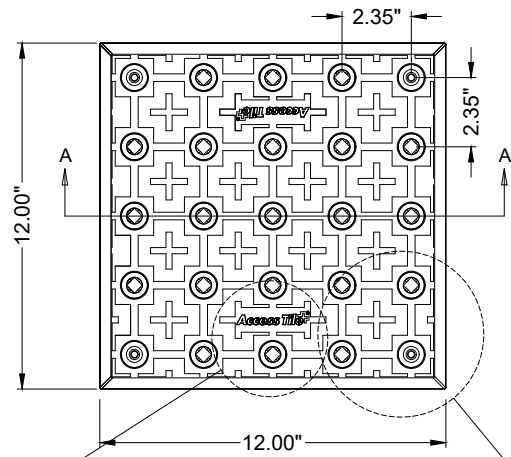


1'X1'

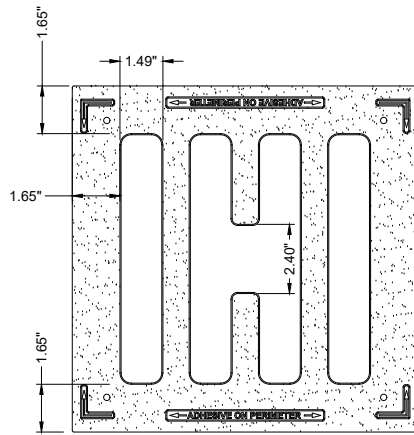
**SURFACE APPLIED  
2.35" DOME SPACING**



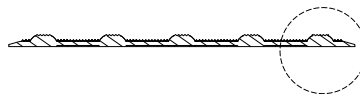
**PLAN**

SEE DETAIL A

SEE DETAIL B

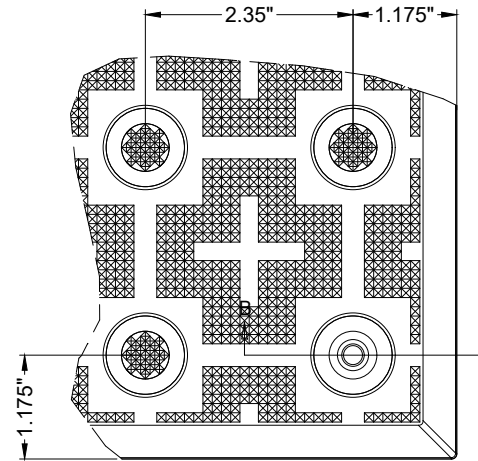


**UNDERSIDE VIEW**

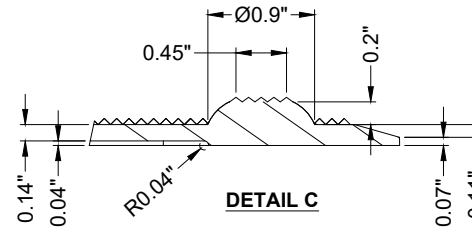


**SECTION A-A**

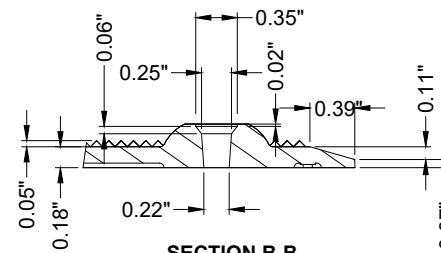
SEE DETAIL C



**DETAIL B**



**DETAIL C**



**SECTION B-B**



**DETAIL A**

surewerx.com



**MATERIAL LIST**

ITEM	DESCRIPTION	PART NO.	QTY
1	ACCESS TILE	ACC-S-1X1	1
2	AXIUS ANCHOR	ACC-S-ANCH	4
3	TACTILE BOND AND SEAL	TBS-010	1 ea

NOTE: FASTENERS ARE INCLUDED WITH TILE

**REFERENCE DRAWINGS**

DWG. NO.	DESCRIPTION

No.	DATE	REVISION	APPR.

SCALE 1"=1'-0" U.N.O. FULL SIZE ONLY

DESIGNED	KES	DATE	
DRAWN	RWO	07/15/2024	
CHECKED	KES		

PROJECT MANAGER	
-----------------	--

TRADE	DETECTABLE WARNING SURFACE	PART NO.	ACC-S-1X1
-------	----------------------------	----------	-----------

MATERIAL POLYMER COMPOSITE

SUBJECT  
**ACCESS TILE®**  
TRUNCATED DOME, DETECTABLE  
WARNING TACTILE SURFACE

PROJECT  
**ACCESS TILE®**  
TRUNCATED DOME, DETECTABLE  
WARNING TACTILE SURFACE  
1X1 SURFACE APPLIED  
INLINE DOME TILE DRAWING.

DRAWING NO.	ACC-S-1X1	REV. NO.	∅
-------------	-----------	----------	---