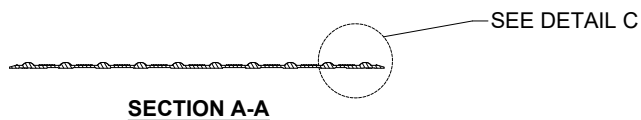
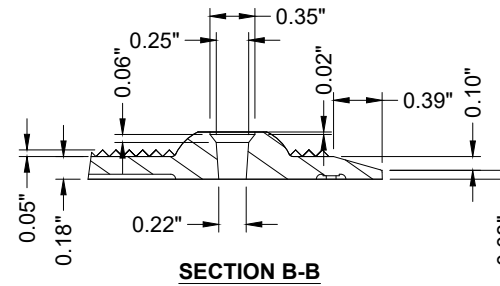
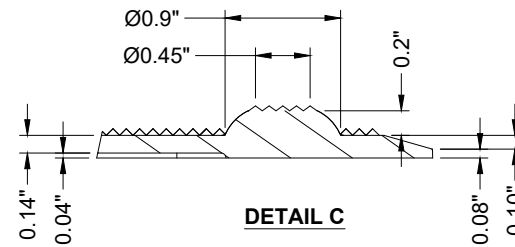
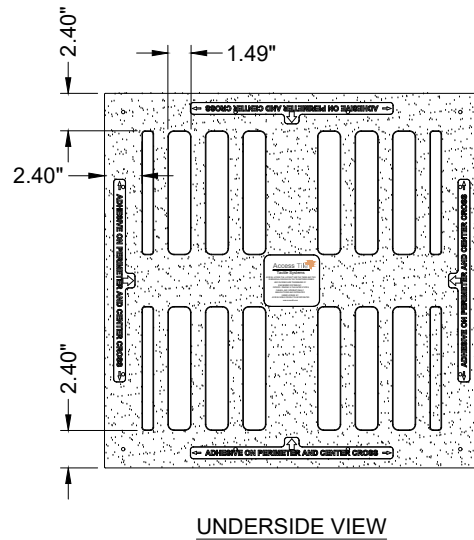
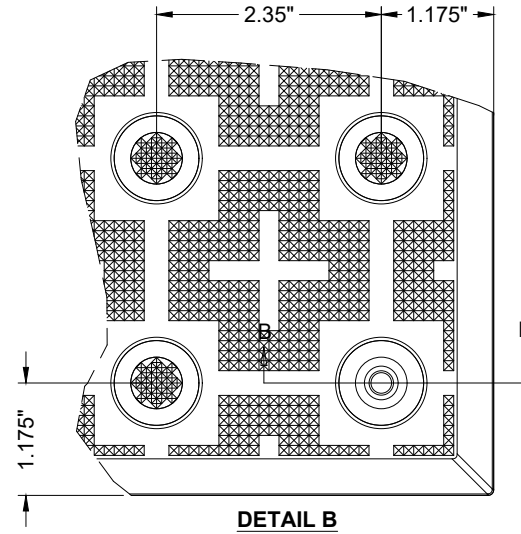
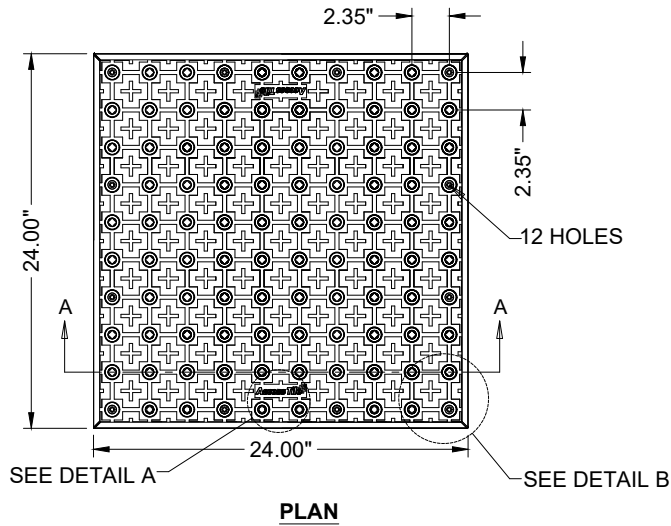


2'X2'

**SURFACE APPLIED
2.35" DOME SPACING**



surewerx.com



MATERIAL LIST

ITEM	DESCRIPTION	PART NO.	QTY
1	ACCESS TILE	ACC-S-2X2	1
2	AXIUS ANCHOR	ACC-S-ANCH	12
3	TACTILE BOND AND SEAL	TBS-010	1 ea

NOTE: FASTENERS AND 1 TUBE OF TACTILE BOND AND SEAL ARE INCLUDED WITH TILE

REFERENCE DRAWINGS

DWG. NO.	DESCRIPTION

No.	DATE	REVISION	APPR.

SCALE		N.T.S.	
DESIGNED	KES	DATE	
DRAWN	M.T.	07/15/2024	
CHECKED	KES		
PROJECT MANAGER			
TRADE	DETECTABLE WARNING SURFACE	PART NO.	ACC-S-2X2
MATERIAL POLYMER COMPOSITE			
SUBJECT ACCESS TILE® TRUNCATED DOME, DETECTABLE WARNING TACTILE SURFACE			
PROJECT ACCESS TILE® TRUNCATED DOME, DETECTABLE WARNING TACTILE SURFACE 2X2 SURFACE APPLIED INLINE DOME TILE DRAWING.			
DRAWING NO. ACC-S-2X2		REV. NO. Ø	