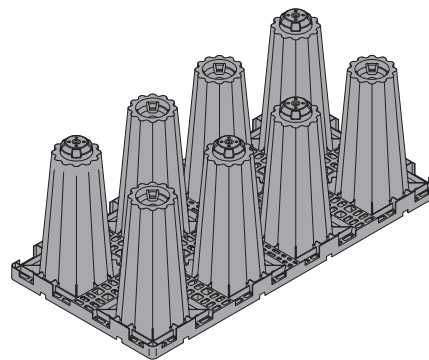
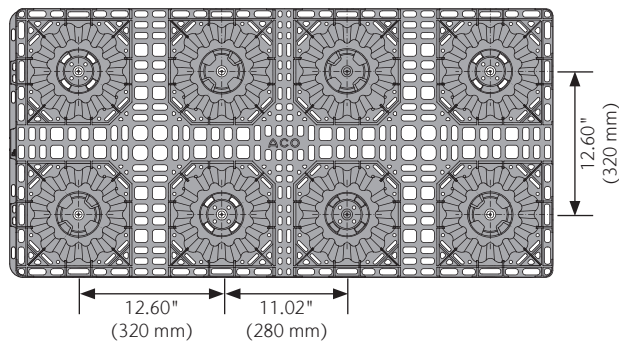
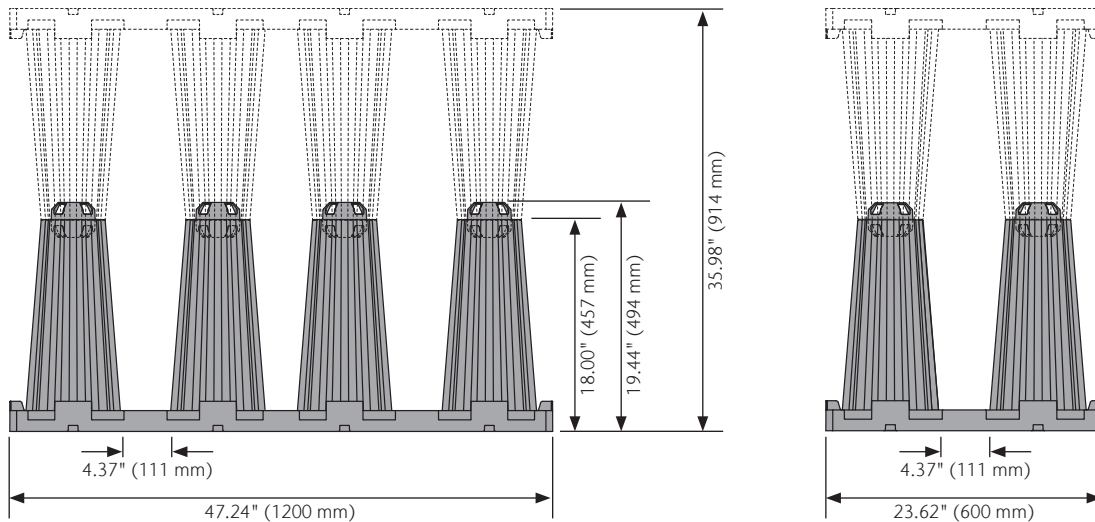


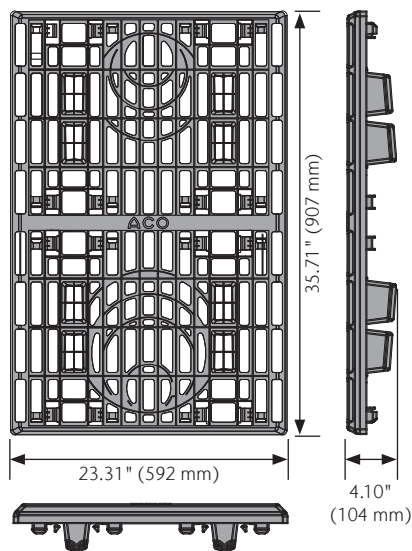
Stormwater Detention/Infiltration/Retention System



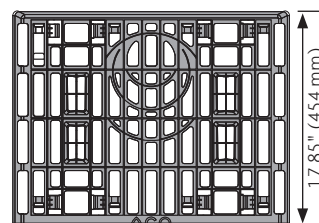
SD Half-Module
part no. 314090



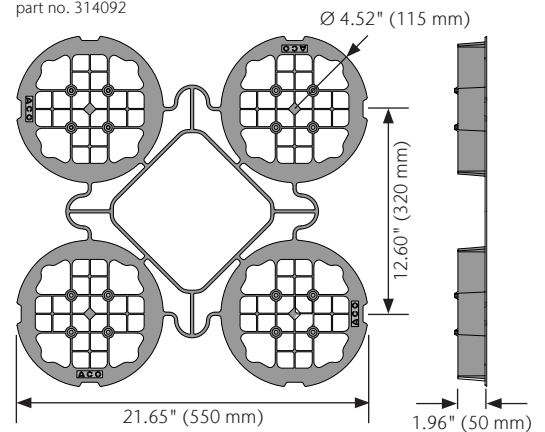
SD Side Panel
part no. 314091



SD Half-Layer Side Panel
part no. 314098

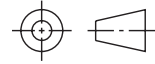


SD Top Cover
part no. 314092

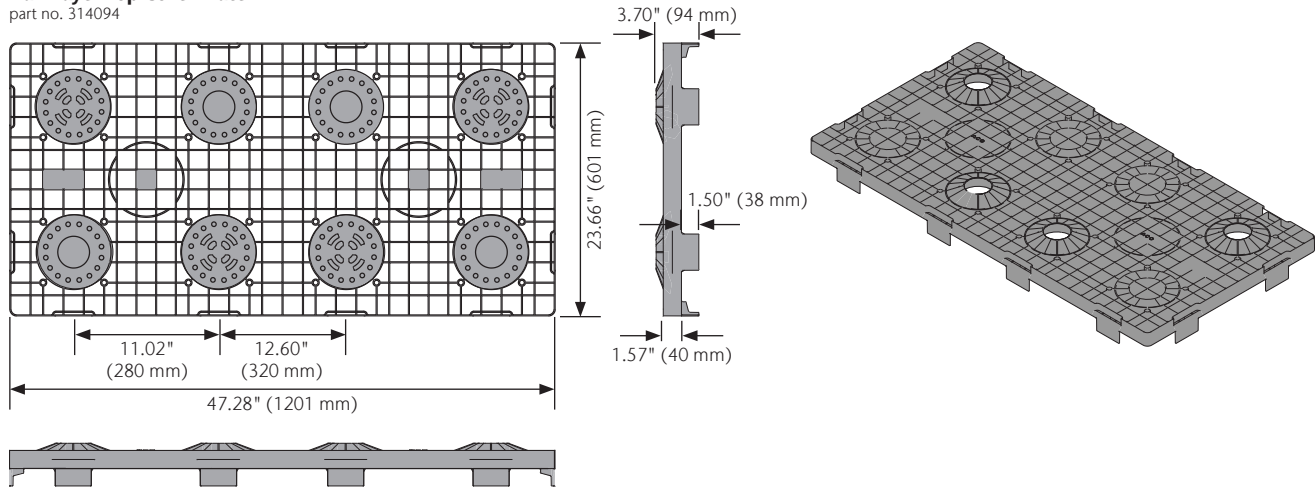


ACO Specification Information

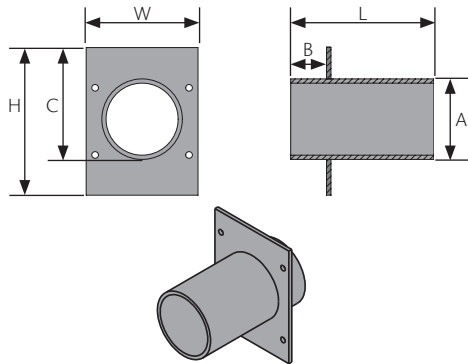
Stormwater Detention/Infiltration/Retention System



Half-Layer Top Cover Plate
part no. 314094

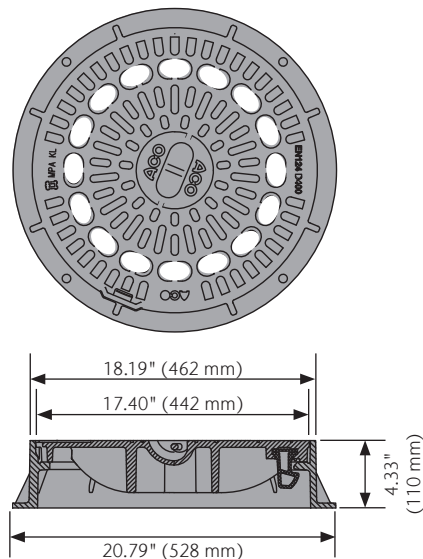


Horizontal Pipe Connector
part no.: see chart

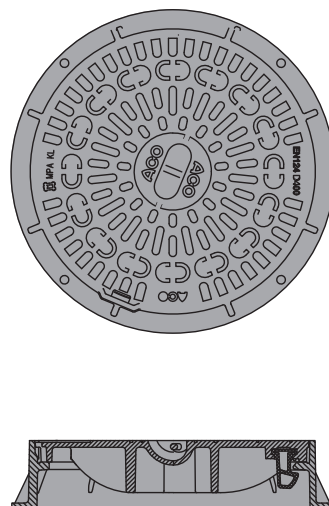


Part No.	A in (mm)	B in (mm)	C in (mm)	H in (mm)	W in (mm)	L in (mm)
93139	SDR 35 - 4" (51)	2.00 (51)	6.25 (158)	8.25 (209)	6.70 (170)	8.00 (203)
93145	SCH 40 - 4" (51)	2.00 (51)	7.47 (189)	8.29 (210)	6.70 (170)	8.00 (203)
93140	SDR 35 - 6" (51)	2.00 (51)	8.95 (227)	9.93 (252)	10.22 (259)	8.00 (203)
93146	SCH 40 - 6" (51)	2.00 (51)	9.11 (231)	9.93 (252)	10.22 (259)	8.00 (203)
93141	SDR 35 - 8" (51)	2.00 (51)	10.46 (265)	11.39 (289)	11.64 (295)	8.00 (203)
93147	SCH 40 - 8" (51)	2.00 (51)	10.57 (268)	11.39 (289)	11.64 (295)	8.00 (203)
93142	SDR 35 - 12" (51)	2.00 (51)	13.48 (342)	14.30 (363)	16.66 (423)	8.00 (203)
93144	SCH 35 - 15" (51)	2.00 (51)	17.28 (439)	19.25 (489)	19.25 (489)	8.00 (203)

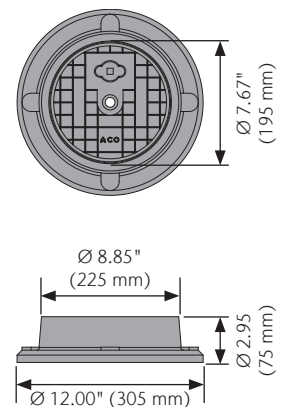
Remote Access Cover (Vented)
part no. 314053



Remote Access Cover (Non-Vented)
part no. 314043

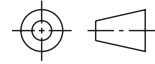


Inspection Point Cover
part no. 314044

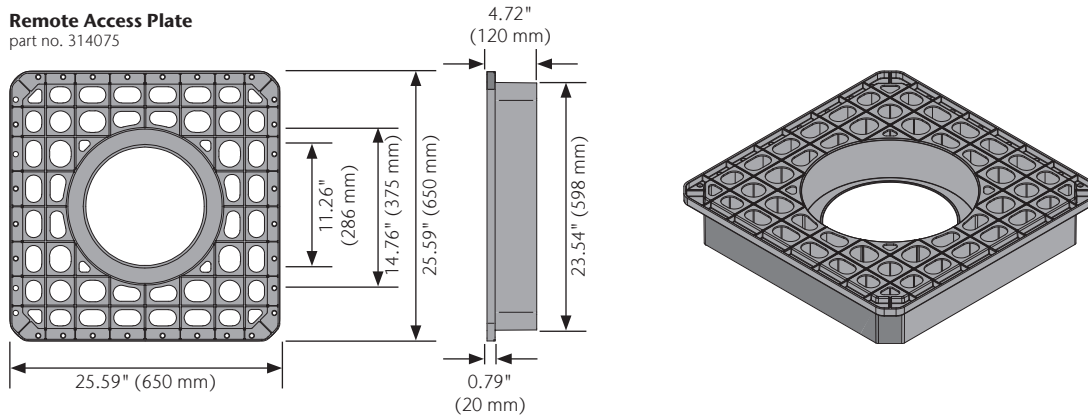


ACO Specification Information

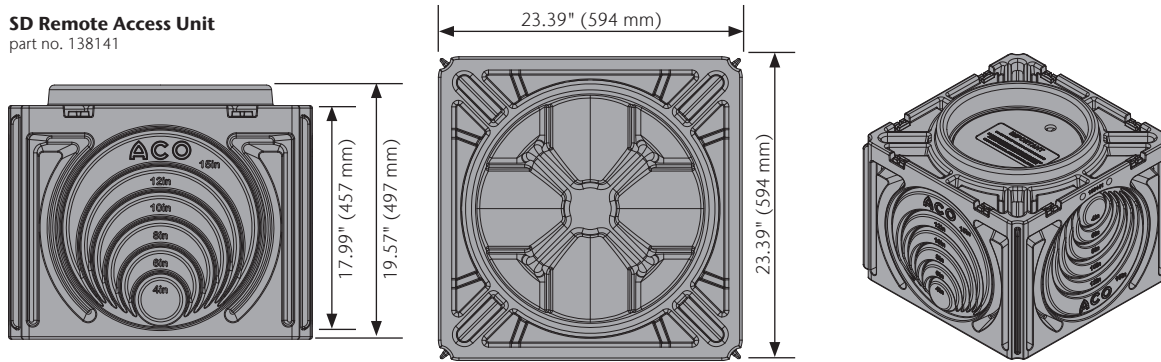
Stormwater Detention/Infiltration/Retention System



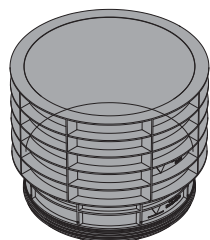
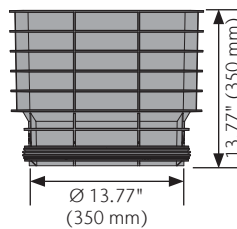
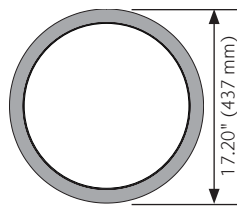
Remote Access Plate
part no. 314075



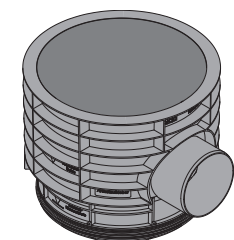
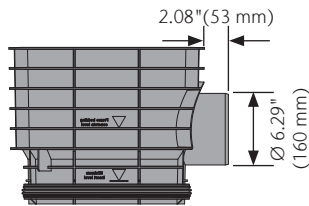
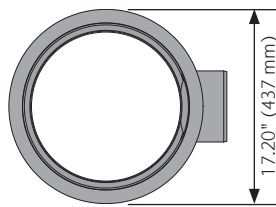
SD Remote Access Unit
part no. 138141



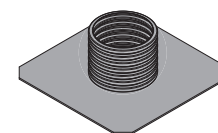
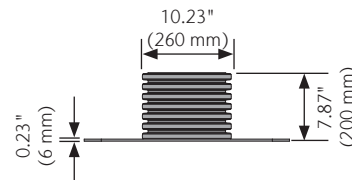
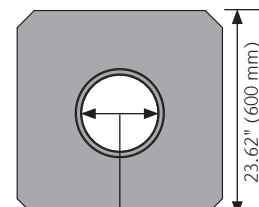
Extension Shaft
part no. 314038



Extension Shaft with Pipe Socket
part no. 314039

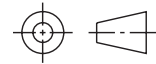


Vertical Inspection Point Connector
part no. 27018



ACO Specification Information

Stormwater Detention/Infiltration/Retention System



ACO StormBrixx SD Parts Table	Part No.	Length in (mm)	Width in (mm)	Depth in (mm)	Weight lbs (kg)
SD Half-Module	314090	47.24 (1200)	23.62 (600)	19.45 (494)	21.60 (9.80)
SD Side Panel	314091	35.71 (907)	23.31 (592)	1.57 (40)	7.20 (3.30)
SD Half-Layer Side Panel	314098	17.85 (454)	23.31 (592)	1.57 (40)	3.40 (1.54)
SD Top Cover	314092	21.65 (550)	21.65 (550)	1.96 (50)	1.60 (0.70)
Half-Layer Top Cover Plate	314094	47.25 (1200)	23.63 (600)	3.70 (94)	7.70 (3.50)
SD Remote Access Unit	138141	23.39 (594)	23.39 (594)	19.57 (497)	40.00 (18.12)
SD Layer Connector	314093	2.11 (54)	1.75 (44)	1.05 (27)	0.03 (0.02)
Remote Access Plate	314075	25.59 (650)	25.59 (650)	4.72 (120)	10.78 (4.90)
Remote Access Cover - Ductile Iron (Load Class D400)	314043	-	Ø 20.79 (528)	4.34 (110)	86.46 (39.30)
Remote Access Vented Cover - Ductile Iron (Load Class D400)	314053	-	Ø 20.79 (528)	4.34 (110)	83.60 (38.00)
Inspection Point Cover - Ductile Iron (Load Class D400)	314044	-	Ø 8.85 (225)	2.95 (75)	34.54 (15.70)
Extension Shaft	314038	-	Ø 17.21 (437)	13.78 (350)	4.84 (2.60)
Extension Shaft with Pipe Socket	314039	-	Ø 17.21 (437)	13.78 (350)	6.16 (2.80)
Vertical Inspection Point Connector	27018	-	Ø 8.85* (225)	7.87 (200)	5.52 (2.50)
Horizontal Pipe Connectors					
SDR 35 - 4"	93139		4.00* (102)		1.9 (0.87)
SCH 40 - 4"	93145		4.00* (102)		1.9 (0.87)
SDR 35 - 6"	93140		6.00* (152)		3.2 (1.49)
SCH 40 - 6"	93146	8.00 (203)	6.00* (152)	-	3.20 (1.49)
SDR 35 - 8"	93141		8.00* (203)		5.52 (2.50)
SCH 40 - 8"	93147		8.00* (203)		5.52 (2.50)
SDR 35 - 12"	93142		12.00* (305)		5.52 (2.50)
SDR 35 - 15"	93144		15.00* (381)		5.52 (2.50)

*Internal width

Specifications

General

The StormBrixx stormwater Detention*/Infiltration*/Retention* system shall be ACO Stormbrixx SD as supplied by ACO, Inc.

ACO StormBrixx SD meets AASHTO H-20 and HS-20 loading conditions.

Materials

The half-module shall be manufactured from polypropylene and have minimum properties as follows:

Tensile impact strength:

152 ft-lb/in² (319 kJ/m²)

Tensile strength, ultimate:

3,480 psi (23,994 kpa)

Water absorption: 0.01%

Frost proof, salt proof and fuels and oils resistant

The stormwater tank shall provide an average 97% open area¹, holding up to 22.53¹ ft³ (0.63 m³) per module (2 half-modules assembled) and offer full access to all areas and levels for maintenance.

Geomembranes/Geotextiles

The StormBrixx stormwater system shall be wrapped in appropriate permeable geotextile or impermeable geomembrane* (supplied by others) as indicated by project design engineer.

Accessories

The StormBrixx stormwater system shall be used in conjunction with remote access unit or plate**/extension shaft**/inspection point connector**.

Installation

The StormBrixx stormwater system shall be installed in strict accordance with the manufacturer's installation instructions and recommendations.

*Choose one

**Choose none, one or more

¹Configuration and use of side/top panels will marginally impact these figures

ACO Specification Information

ACO, Inc.

West Sales Office
825 W. Beechcraft Street
Casa Grande, AZ 85122
Tel: (520) 421-9988
Toll-Free: (888) 490-9552
Fax: (520) 421-9899

Northeast Sales Office
9470 Pinecone Drive
Mentor, OH 44060
Tel: (440) 639-7230
Toll-Free: (800) 543-4764
Fax: (440) 639-7235

Southeast Sales Office
4211 Pleasant Road
Fort Mill, SC 29708
Toll-Free: (800) 543-4764
Fax: (803) 802-1063

info@acousa.com
www.acousa.com

© January 2021 ACO, Inc.

All reasonable care has been taken in compiling the information in this document. All recommendations and suggestions on the use of ACO products are made without guarantee since the conditions of use are beyond the control of the company. It is the customer's responsibility to ensure that each product is fit for its intended purpose and that the actual conditions of use are suitable. ACO, Inc. reserves the right to change products and specifications without notice.

ACO. creating
the future of drainage

