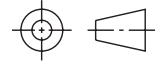
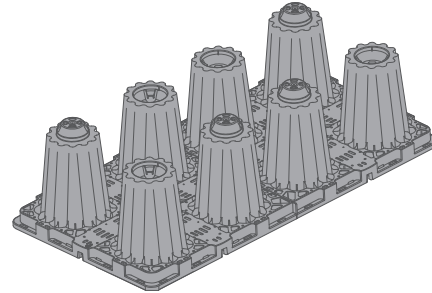
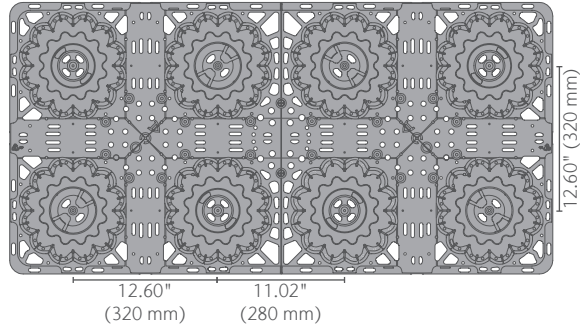
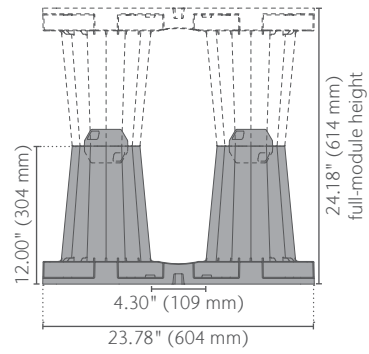
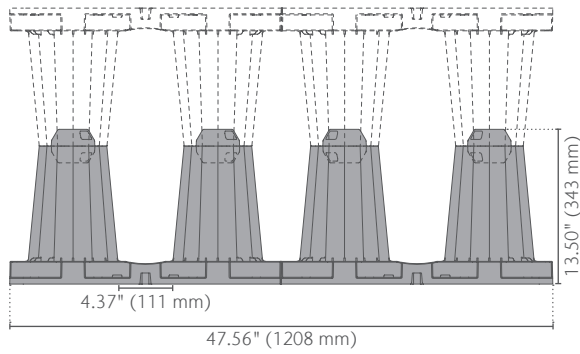


# StormBrixx 600 HD



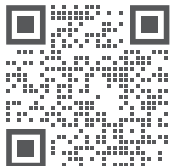
## Half-Module 600 HD

part no. 314061

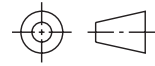


Note: (2) half-modules are connected to form (1) full-module. (1) side panel fits (1) full-module.

ACO Specification Information

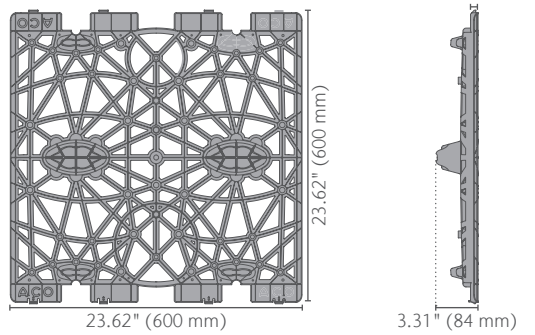


# StormBrixx 600 HD



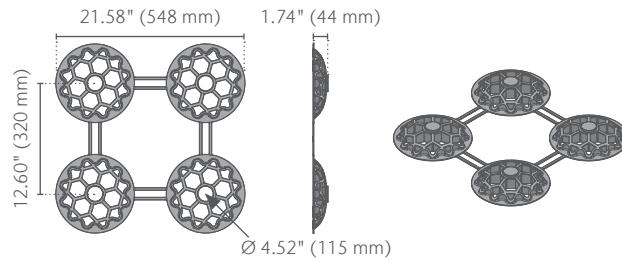
## Side Panel 600 HD

part no. 314062



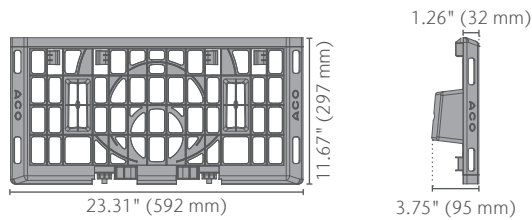
## Universal Top Cover

part no. 140213



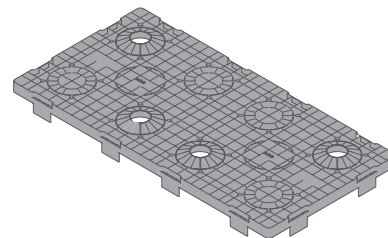
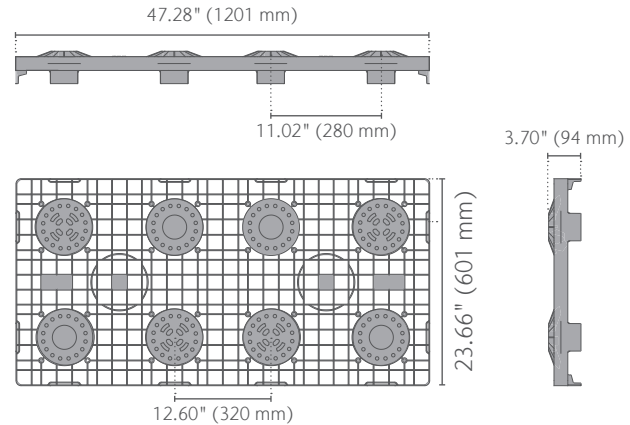
## Half-Layer Side Panel 600 HD

part no. 314095

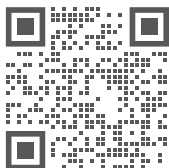


## Half-Layer Top Plate

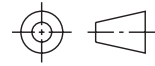
part no. 314094



ACO Specification Information

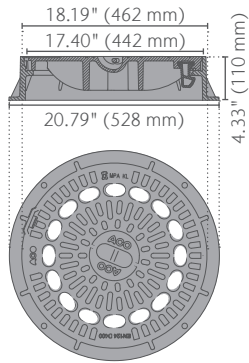


# StormBrixx 600 HD



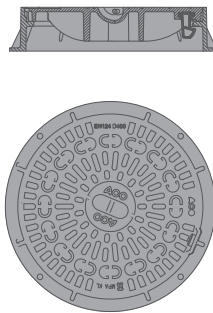
## Remote Access Cover (Vented)

part no. 314133



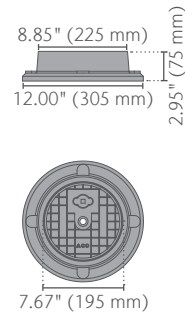
## Remote Access Cover (Non-Vented)

part no. 314132



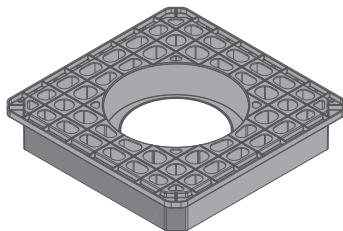
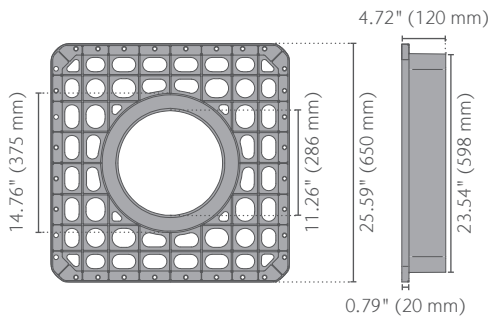
## Inspection Point Cover

part no. 314044



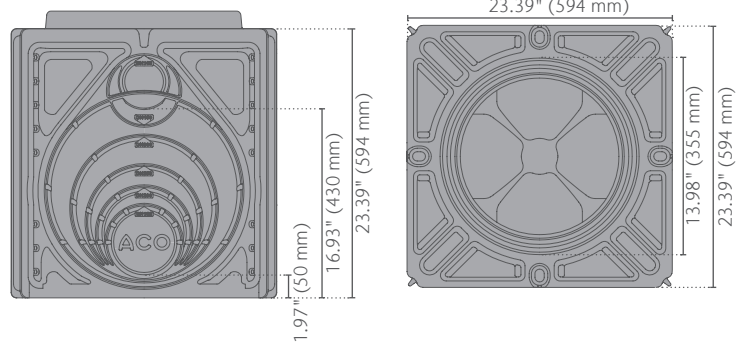
## Remote Access Plate

part no. 314075



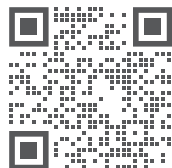
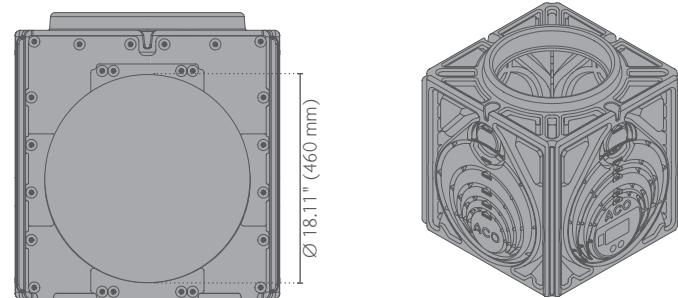
## Remote Access Unit 600 HD

part no. 27034

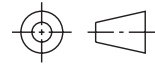


## Remote Access Unit 600 HD with Adapter Plate

part no. 138140

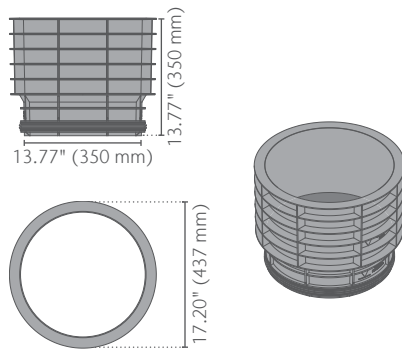


# StormBrixx 600 HD



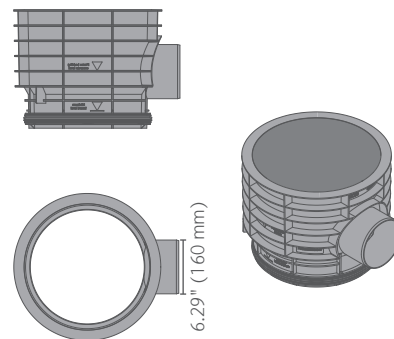
## Extension Shaft

part no. 314038



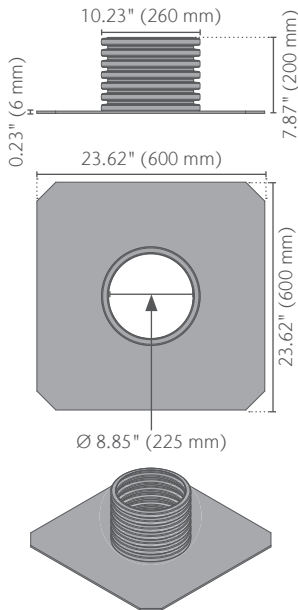
## Extension Shaft with Pipe Socket

part no. 314039



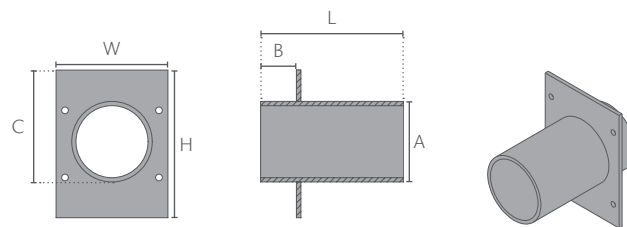
## Vertical Inspection Point Connector

part no. 27018

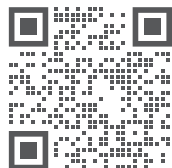


## Horizontal Pipe Connector

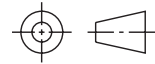
part no.: see chart



Part No.	A	B	C	H	W	L
		in (mm)	in (mm)	in (mm)	in (mm)	in (mm)
<b>93139</b>	4" SDR 35	2.00 (51)	6.25 (158)	8.25 (209)	6.70 (170)	8.00 (203)
<b>93145</b>	4" SCH 40	2.00 (51)	7.47 (189)	8.29 (210)	6.70 (170)	8.00 (203)
<b>93140</b>	6" SDR 35	2.00 (51)	8.95 (227)	9.93 (252)	10.22 (259)	8.00 (203)
<b>93146</b>	6" SCH 40	2.00 (51)	9.11 (231)	9.93 (252)	10.22 (259)	8.00 (203)
<b>93141</b>	8" SDR 35	2.00 (51)	10.46 (265)	11.39 (289)	11.64 (295)	8.00 (203)
<b>93147</b>	8" SCH 40	2.00 (51)	10.57 (268)	11.39 (289)	11.64 (295)	8.00 (203)
<b>93142</b>	12" SDR 35	2.00 (51)	13.48 (342)	14.30 (363)	16.66 (423)	8.00 (203)
<b>93144</b>	15" SCH 40	2.00 (51)	17.28 (439)	19.25 (489)	19.25 (489)	8.00 (203)



# StormBrixx 600 HD



## Product Details

Product Name	Part No.	Length in (mm)	Width in (mm)	Depth in (mm)	Weight lbs
Half-Module 600 HD	<b>314061</b>	47.56 (1208)	23.78 (604)	13.50 (343)	23.8
Side Panel 600 HD	<b>314062</b>	23.62 (600)	23.62 (600)	2.17 (55)	3.8
Half-Layer Side Panel 600 HD	<b>314095</b>	23.31 (592)	11.67 (297)	1.26 (32)	2.0
Universal Top Cover	<b>140213</b>	21.58 (548)	21.58 (548)	1.74 (44)	1.6
Half-Layer Top Plate	<b>314094</b>	47.28 (1201)	23.66 (601)	3.70 (94)	7.7
Layer Connector	<b>314023</b>	3.94 (100)	1.58 (40)	1.82 (46)	0.1
Remote Access Cover (Vented) - Ductile Iron (Load Class D400)	<b>314133</b>	-	Ø 20.79 (528)	4.33 (110)	83.6
Remote Access Cover (Non-Vented) - Ductile Iron (Load Class D400)	<b>314132</b>	-	Ø 20.79 (528)	4.33 (110)	86.5
Inspection Point Cover - Ductile Iron (Load Class D400)	<b>314044</b>	-	Ø 8.85 (225)	2.95 (75)	34.5
Remote Access Plate	<b>314075</b>	25.59 (650)	25.59 (650)	4.72 (120)	10.8
Remote Access Unit 600 HD	<b>27034</b>	23.39 (594)	23.39 (594)	19.57 (497)	40.0
Remote Access Unit 600 HD with Adapter Plate	<b>138140</b>	24.41 (620)	23.39 (594)	24.02 (610)	71.0
Extension Shaft	<b>314038</b>	-	Ø 17.20 (437)	13.77 (350)	4.8
Extension Shaft with Pipe Socket	<b>314039</b>	-	Ø 17.20 (437)	13.77 (350)	6.2
Vertical Inspection Point Connector	<b>27018</b>	-	Ø 8.85* (225)	7.87 (200)	5.5
4" HDR 35 Horizontal Pipe Connector	<b>93139</b>	8.00 (203)	6.70 (170)	8.25 (209)	1.9
4" SCH 40 Horizontal Pipe Connector	<b>93145</b>	8.00 (203)	6.70 (170)	8.29 (210)	1.9
6" HDR 35 Horizontal Pipe Connector	<b>93140</b>	8.00 (203)	10.22 (259)	9.93 (252)	3.2
6" SCH 40 Horizontal Pipe Connector	<b>93146</b>	8.00 (203)	10.22 (259)	9.93 (252)	3.2
8" HDR 35 Horizontal Pipe Connector	<b>93141</b>	8.00 (203)	11.64 (295)	11.39 (289)	5.5
8" SCH 40 Horizontal Pipe Connector	<b>93147</b>	8.00 (203)	11.64 (295)	11.39 (289)	5.5
12" HDR 35 Horizontal Pipe Connector	<b>93142</b>	8.00 (203)	16.66 (423)	14.30 (363)	5.5
15" SCH 40 Horizontal Pipe Connector	<b>93144</b>	8.00 (203)	19.25 (489)	19.25 (489)	5.5

\* Internal width

## Specification Summary

### General

The StormBrixx stormwater management system shall be ACO StormBrixx 600 HD as supplied by ACO, Inc.

ACO StormBrixx 600 HD meets AASHTO HS-25 loading conditions.

### Geomembranes/Geotextiles

The StormBrixx stormwater system shall be wrapped in either appropriate permeable geotextile or impermeable geomembrane (supplied and specified by others) as indicated by project design engineer.

### Accessories

The StormBrixx stormwater system may be used in conjunction with one or more optional products: remote access unit, remote access plate extension shaft, and/or inspection point connector.

### Installation

The StormBrixx stormwater system shall be installed in strict accordance with the manufacturer's installation instructions and recommendations.

### Materials

The half-module shall be manufactured from polypropylene and have minimum properties as follows:

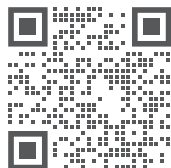
- Charpy unnotched impact strength: 9.5 ft-lb/in<sup>2</sup> (20 kJ/m<sup>2</sup>)
- Tensile strength, ultimate: 3,480 psi (23,994 kPa)
- Water absorption: 0.01%
- Frost proof: YES
- Salt proof: YES
- Fuels/oils-resistant: YES

The stormwater tank shall hold up to 15.18 ft<sup>3</sup> (0.43 m<sup>3</sup>) per module (2 half-modules assembled) and offer full access to all areas and levels for maintenance. Configuration and use of side/top panels will marginally impact these figures.

## ACO, Inc.

© December 2024 ACO, Inc.

All reasonable care has been taken in compiling the information in this document. All recommendations and suggestions on the use of ACO products are made without guarantee since the conditions of use are beyond the control of the company. It is the customer's responsibility to ensure that each product is fit for its intended purpose and that the actual conditions of use are suitable. ACO, Inc. reserves the right to change products and specifications without notice.



Telephone #: 888.490.9552



ACO Specification Information