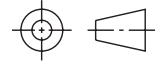
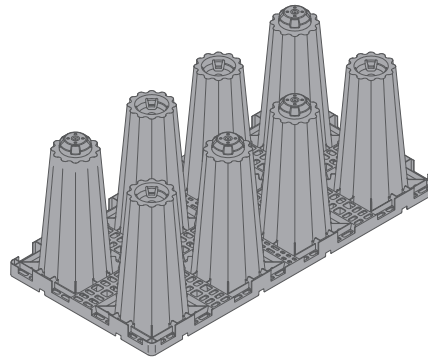
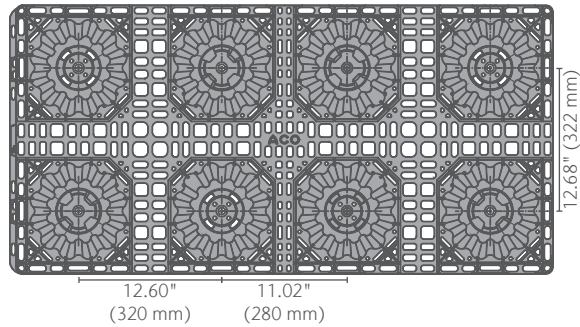
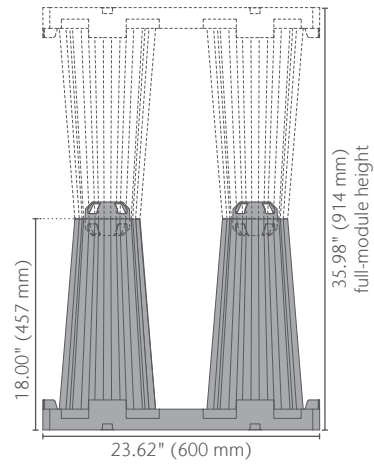
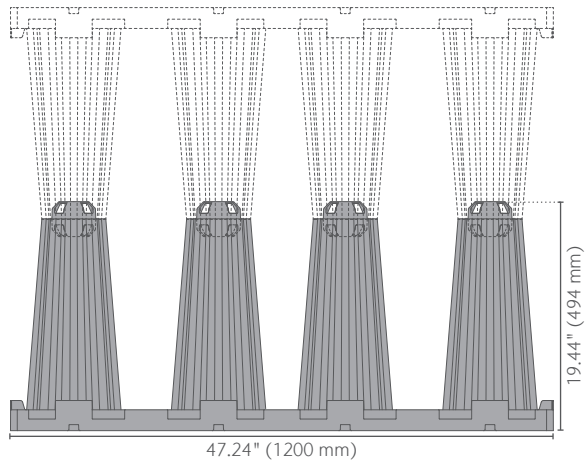


# StormBrixx 900 SD



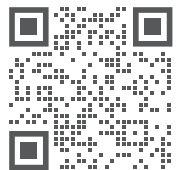
## Half-Module 900 SD

part no. 138464

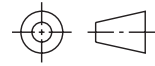


Note: (2) half-modules are connected to form (1) full-module. (1) side panel fits (1) full-module.

ACO Specification Information

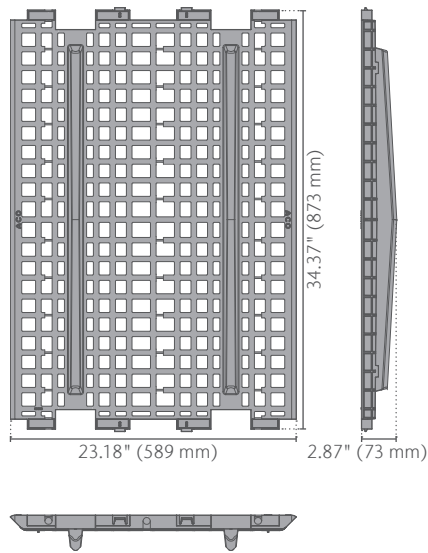


# StormBrixx 900 SD



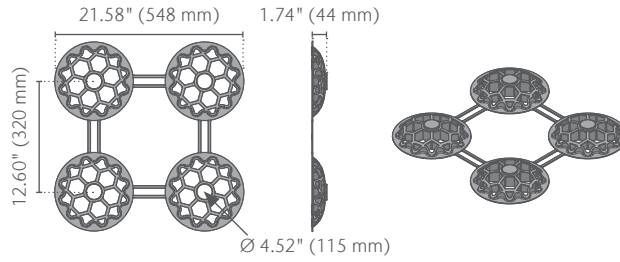
## Side Panel 900 SD

part no. 138463



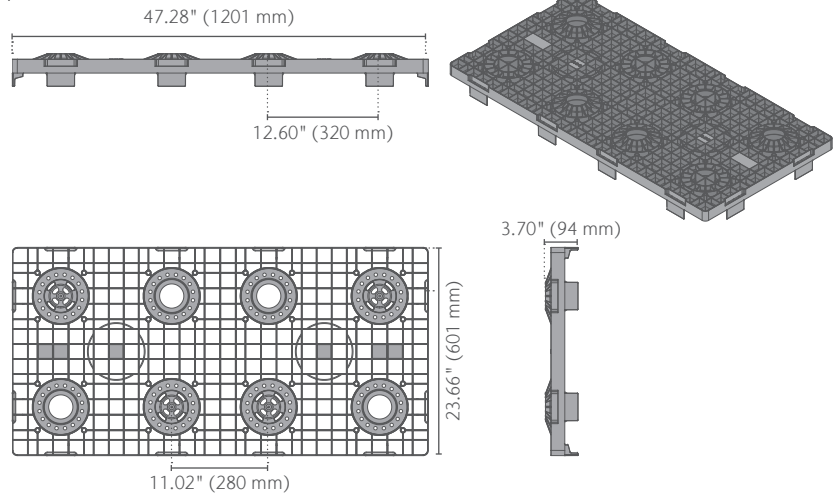
## Universal Top Cover

part no. 140213



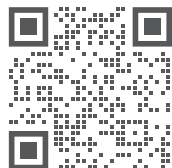
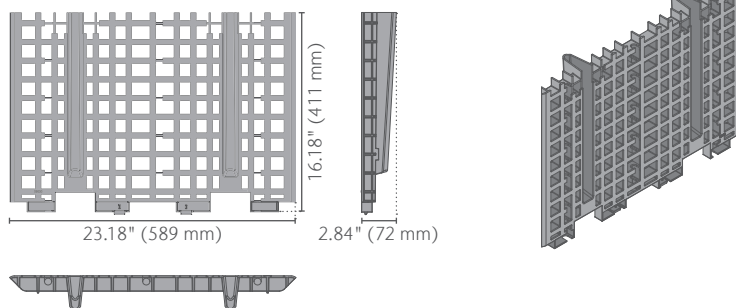
## Half-Layer Top Plate

part no. 314094



## Half-Layer Side Panel 900 SD

part no. 138567

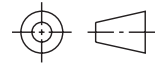


Telephone #: 888.490.9552



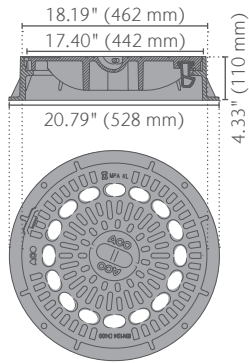
ACO Specification Information

# StormBrixx 900 SD



## Remote Access Cover (Vented)

part no. 314133



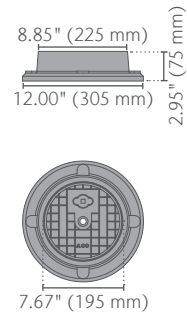
## Remote Access Cover (Non-Vented)

part no. 314132



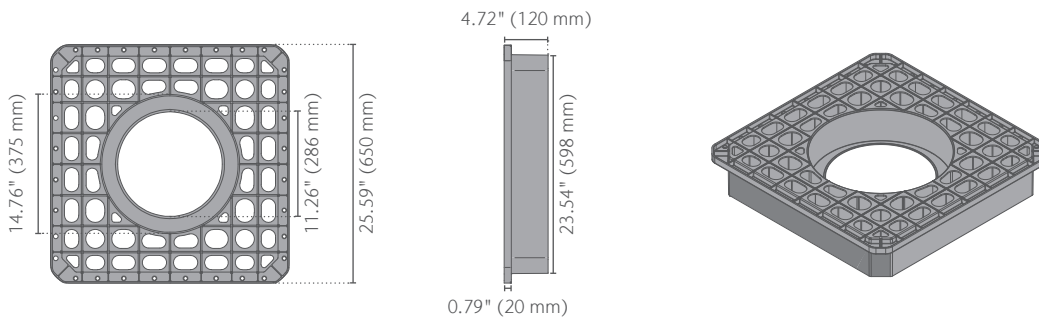
## Inspection Point Cover

part no. 314044



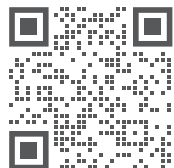
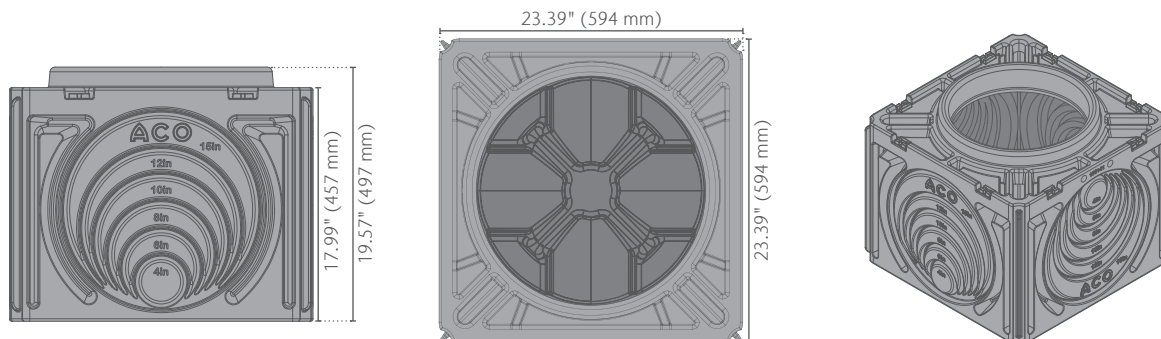
## Remote Access Plate

part no. 314075



## Remote Access Unit 900 SD

part no. 138141

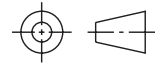


Telephone #: 888.490.9552



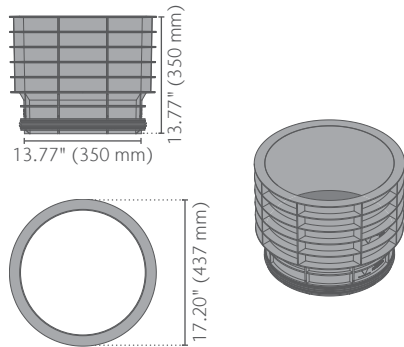
ACO Specification Information

# StormBrixx 900 SD



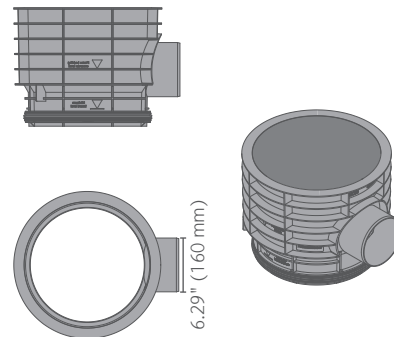
## Extension Shaft

part no. 314038



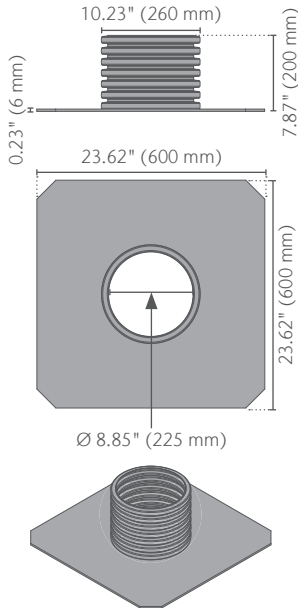
## Extension Shaft with Pipe Socket

part no. 314039



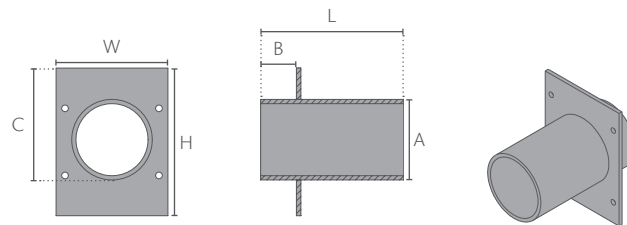
## Vertical Inspection Point Connector

part no. 27018

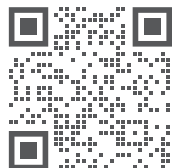


## Horizontal Pipe Connector

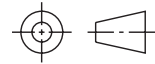
part no.: see chart



Part No.	A	B	C	H	W	L
		in (mm)	in (mm)	in (mm)	in (mm)	in (mm)
<b>93139</b>	4" SDR 35	2.00 (51)	6.25 (158)	8.25 (209)	6.70 (170)	8.00 (203)
<b>93145</b>	4" SCH 40	2.00 (51)	7.47 (189)	8.29 (210)	6.70 (170)	8.00 (203)
<b>93140</b>	6" SDR 35	2.00 (51)	8.95 (227)	9.93 (252)	10.22 (259)	8.00 (203)
<b>93146</b>	6" SCH 40	2.00 (51)	9.11 (231)	9.93 (252)	10.22 (259)	8.00 (203)
<b>93141</b>	8" SDR 35	2.00 (51)	10.46 (265)	11.39 (289)	11.64 (295)	8.00 (203)
<b>93147</b>	8" SCH 40	2.00 (51)	10.57 (268)	11.39 (289)	11.64 (295)	8.00 (203)
<b>93142</b>	12" SDR 35	2.00 (51)	13.48 (342)	14.30 (363)	16.66 (423)	8.00 (203)
<b>93144</b>	15" SCH 40	2.00 (51)	17.28 (439)	19.25 (489)	19.25 (489)	8.00 (203)



# StormBrixx 900 SD



## Product Details

Product Name	Part No.	Length in (mm)	Width in (mm)	Depth in (mm)	Weight lbs
Half-Module 900 SD	<b>138464</b>	47.24 (1200)	23.62 (600)	19.44 (494)	21.6
Side Panel 900 SD	<b>138463</b>	34.37 (873)	23.18 (589)	2.87 (73)	6.6
Universal Top Cover	<b>140213</b>	21.58 (548)	21.58 (548)	1.74 (44)	1.3
Half-Layer Top Plate	<b>314094</b>	47.28 (1201)	23.66 (601)	3.70 (94)	7.7
Half-Layer Side Panel 900 SD	<b>138567</b>	23.18 (589)	16.18 (411)	2.83 (72)	3.4
Layer Connector	<b>314093</b>	2.11 (54)	1.75 (44)	1.05 (27)	0.1
Remote Access Cover (Vented) - Ductile Iron (Load Class D400)	<b>314133</b>	-	Ø 20.79 (528)	4.33 (110)	83.6
Remote Access Cover (Non-Vented) - Ductile Iron (Load Class D400)	<b>314132</b>	-	Ø 20.79 (528)	4.33 (110)	86.5
Inspection Point Cover - Ductile Iron (Load Class D400)	<b>314044</b>	-	Ø 8.85 (225)	2.95 (75)	34.5
Remote Access Plate	<b>314075</b>	25.59 (650)	25.59 (650)	4.72 (120)	10.8
Remote Access Unit 900 SD	<b>138141</b>	23.39 (594)	23.39 (594)	19.57 (497)	40.0
Extension Shaft	<b>314038</b>	-	Ø 17.20 (437)	13.77 (350)	4.8
Extension Shaft with Pipe Socket	<b>314039</b>	-	Ø 17.20 (437)	13.77 (350)	6.2
Vertical Inspection Point Connector	<b>27018</b>	-	Ø 8.85* (225)	7.87 (200)	5.5
4" SDR 35 Horizontal Pipe Connector	<b>93139</b>	8.00 (203)	6.70 (170)	8.25 (209)	1.9
4" SCH 40 Horizontal Pipe Connector	<b>93145</b>	8.00 (203)	6.70 (170)	8.29 (210)	1.9
6" SDR 35 Horizontal Pipe Connector	<b>93140</b>	8.00 (203)	10.22 (259)	9.93 (252)	3.2
6" SCH 40 Horizontal Pipe Connector	<b>93146</b>	8.00 (203)	10.22 (259)	9.93 (252)	3.2
8" SDR 35 Horizontal Pipe Connector	<b>93141</b>	8.00 (203)	11.64 (295)	11.39 (289)	5.5
8" SCH 40 Horizontal Pipe Connector	<b>93147</b>	8.00 (203)	11.64 (295)	11.39 (289)	5.5
12" SDR 35 Horizontal Pipe Connector	<b>93142</b>	8.00 (203)	16.66 (423)	14.30 (363)	5.5
15" SCH 40 Horizontal Pipe Connector	<b>93144</b>	8.00 (203)	19.25 (489)	19.25 (489)	5.5

\* Internal width

## Specification Summary

### General

The StormBrixx stormwater management system shall be ACO StormBrixx 900 SD as supplied by ACO, Inc.

ACO StormBrixx 900 SD meets AASHTO HS-20 loading conditions.

### Geomembranes/Geotextiles

The StormBrixx stormwater system shall be wrapped in either appropriate permeable geotextile or impermeable geomembrane (supplied and specified by others) as indicated by project design engineer.

### Accessories

The StormBrixx stormwater system may be used in conjunction with one or more optional products: remote access unit, remote access plate extension shaft, and/or inspection point connector.

### Installation

The StormBrixx stormwater system shall be installed in strict accordance with the manufacturer's installation instructions and recommendations.

### Materials

The half-module shall be manufactured from polypropylene and have minimum properties as follows:

- Charpy unnotched impact strength: 1.4 ft-lb/in<sup>2</sup> (3 kJ/m<sup>2</sup>)
- Tensile strength, ultimate: 3,480 psi (23,994 kPa)
- Water absorption: 0.01%
- Frost proof: YES
- Salt proof: YES
- Fuels/oils-resistant: YES

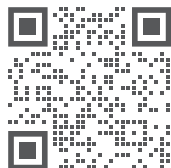
The stormwater tank shall hold up to 22.42 ft<sup>3</sup> (0.63 m<sup>3</sup>) per module (2 half-modules assembled) and offer full access to all areas and levels for maintenance. Configuration and use of side/top panels will marginally impact these figures.

ACO Specification Information

## ACO, Inc.

© December 2024 ACO, Inc.

All reasonable care has been taken in compiling the information in this document. All recommendations and suggestions on the use of ACO products are made without guarantee since the conditions of use are beyond the control of the company. It is the customer's responsibility to ensure that each product is fit for its intended purpose and that the actual conditions of use are suitable. ACO, Inc. reserves the right to change products and specifications without notice.



Telephone #: 888.490.9552

