

Typical applications

- *Containment areas*
- *Chemical plants*
- *Processing plants*
- *Factories*
- *Laboratories*
- *Wash down areas*



**C100
CK100S
CS100K**

**CH80/CH100
CH80K/CH100K
CH100SK**

ChemDrain provides solutions for use in chemically aggressive environments. The interconnecting Vinyl ester polymer concrete channels come in sloped and neutral depths. A full range of accessories complete the system.

A choice of grates in different materials, slot configurations and load ratings are available and can be secured into the channel by one of ACO's patented boltless locking devices - QuickLok or PowerLok.

C100/CH80/CH100 has no metal edge rail, is suitable for loadings up to Class C, and is ideal for use in areas where no metals can be used (plastic grates are available for such applications).

CK100S/CH80K/CH100K has a stainless steel edge rail and is suitable for loadings up to Class E. CS100K/CH100SK has a ductile iron edge rail and is suitable for loadings up to Class F.





ChemDrain

Trench drainage for chemically aggressive environments



Sloped (0.6%) channel units - meter long units provide 98'-5" continuous slope. Neutral units can be used to extend run lengths.

Wide choice of grates in various corrosion resistant materials.
C100 and CK100S - applications from Load Class A to Load Class E.

C100 - polymer concrete grate seat and edge ideal for situations where metals cannot be used. Due to edge detail, ACO rates Load Class C only - regardless of grate loading.

4" internal width trench system - meter (39.37") and half meter (19.69") channels. 'U' shaped bottom improves flow hydraulics.

SF Sealant Groove - a 5/16" by 5/16" groove is cast into the female end of every channel. This groove allows for a positive bead of flexible sealant to be inserted at joints.

Interconnecting end profiles allow easy and effective joining of channels.



QuickLok on C100 and CK100S -

provides quick fitting and removal of grates, helps reduce installation/maintenance time and cost.

CK100S - Integrally cast-in stainless steel edge rail provides additional strength and protects the channel edge from damage.

Profiled side walls - strengthening pillars and frost keys provide channel body strength and mechanical keying to concrete surround.

PowerLok on CS100K - patented, boltless locking system provides quick fitting and removal of grate. Helps reduce installation/maintenance time and cost.

CS100K Ductile iron grates - heavy duty ductile iron grates in choice of slotted or ADA compliant to Load Class F.

Direction arrows on the sides of the channel indicate flow direction and ensure channels are installed correctly.

CS100K - Integrally cast-in ductile iron edge rail provides maximum strength and protection for the channel body.

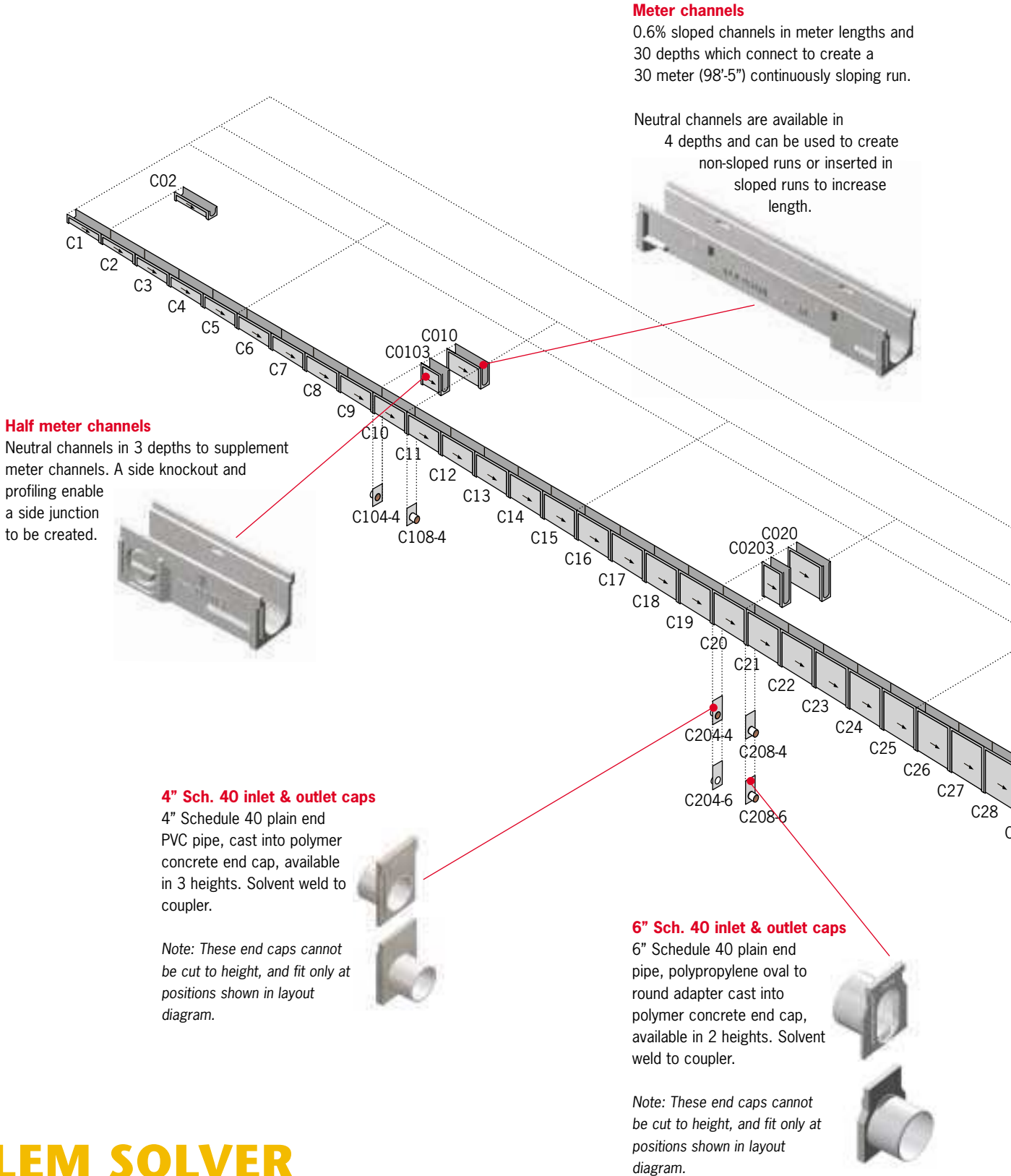
CS100K 'Anti-shunt' lugs - recesses in grate fits around lugs on the edge rail to prevent longitudinal movement of grate.

Vinyl ester polymer concrete - a durable highly chemically resistant material made from Vinyl ester resin binder reinforced by quartz aggregates and silica fillers. See page 115 for details on chemical resistance.



Bottom drill-outs are included on all meter and half meter channel units to allow vertical evacuation of system along run. Drill-outs are sized for 4" or 6" Schedule 40 pipes. Note: For the 6" drill out an oval to round adapter will be required (Part # 95140). See page 54 for details.

System layout



Meter channels
 0.6% sloped channels in meter lengths and 30 depths which connect to create a 30 meter (98'-5") continuously sloping run.

Neutral channels are available in 4 depths and can be used to create non-sloped runs or inserted in sloped runs to increase length.

Half meter channels
 Neutral channels in 3 depths to supplement meter channels. A side knockout and profiling enable a side junction to be created.

4" Sch. 40 inlet & outlet caps
 4" Schedule 40 plain end PVC pipe, cast into polymer concrete end cap, available in 3 heights. Solvent weld to coupler.

Note: These end caps cannot be cut to height, and fit only at positions shown in layout diagram.

6" Sch. 40 inlet & outlet caps
 6" Schedule 40 plain end pipe, polypropylene oval to round adapter cast into polymer concrete end cap, available in 2 heights. Solvent weld to coupler.

Note: These end caps cannot be cut to height, and fit only at positions shown in layout diagram.

Closing cap

Fits all channels, manufactured from Vinyl ester polymer concrete. Can be cut to correct height from the bottom using a concrete saw.

Seal to channel using appropriate flexible sealant or ACO Bond-VE (Part # 06515).



Grates

A wide selection of grates available for use with C100. C100 channel body rated to Load Class C only.

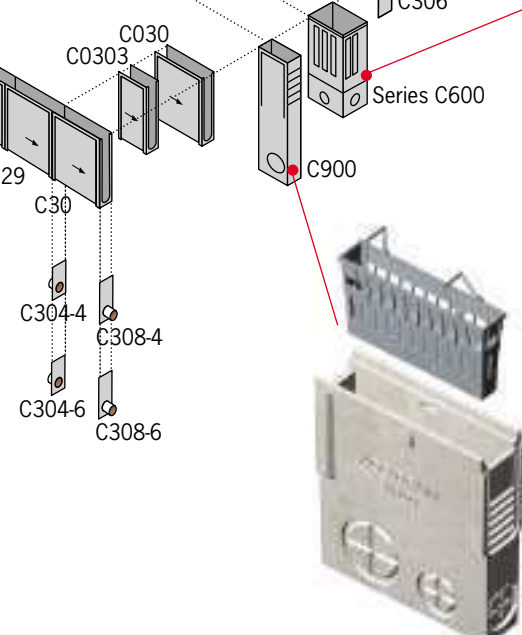
See pages 36-39 for details.

Series C600 catch basins

Vinyl ester polymer concrete catch basins with 4", 6" and 8" drill-outs for pipe connection. Supplied complete with grate. Available with plastic trash bucket or filter bag. Riser unit fits between top and bottom unit. Options include a choice of deep or short bases.

Any channel can be connected into the catch basin by removing the end wall to the correct height. Drill-outs guide connection to channels 5, 10, 15, 20, 25 and 30.

See page 52 for details.



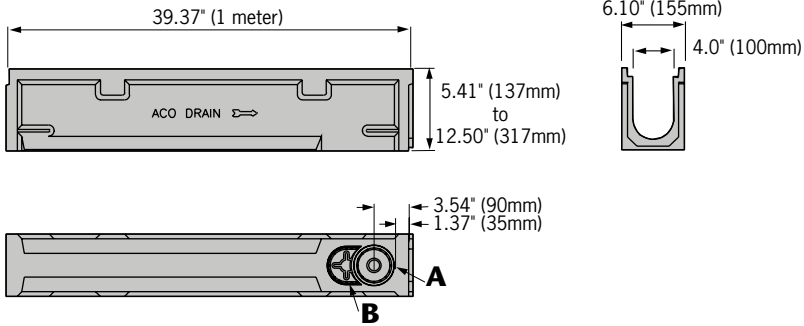
C900 catch basin

In-line catch basin with 4" and 6" drill-outs for pipe connection. Available with plastic trash bucket.

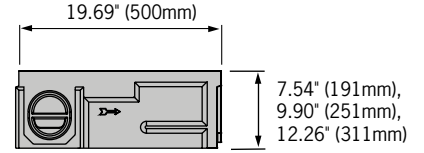
Any channel can be connected into the catch basin by removing the end wall to the correct height. Drill-outs guide connection to channels 5, 10, 15, 20, 25 and 30.



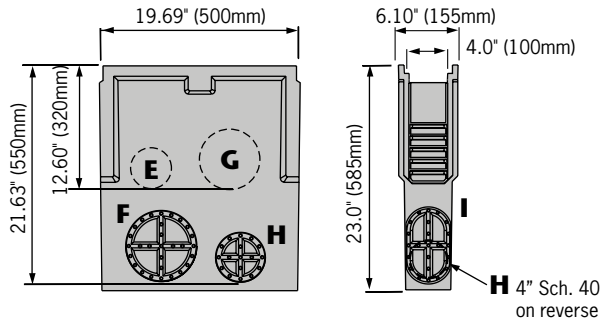
One meter channel



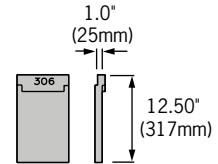
Half meter channel



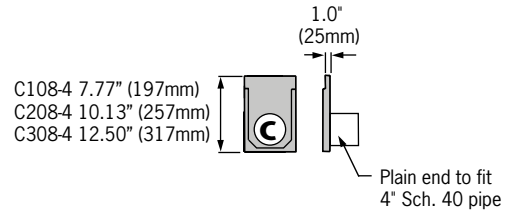
In-line catch basin



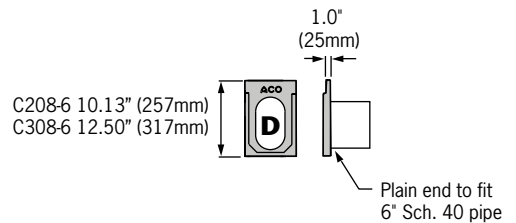
Closing cap



4" Inlet/outlet caps



6" Oval inlet/outlet caps

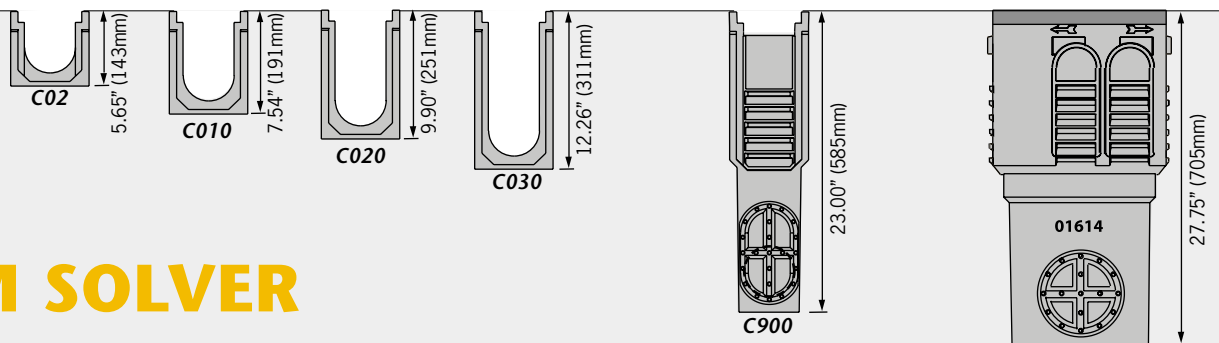


Flow rates

Outlet	Product	Outlet Size (Sch 40)	Invert Depth	GPM	CFS
A	C1 channel	4" round	4.65	117	0.26
A	C30 channel	4" round	11.50	185	0.41
B	C1 channel	6" oval	4.65	183	0.40
B	C30 channel	6" oval	11.50	288	0.64
C	C10 channel	4" round	6.54	119	0.27
C	C30 channel	4" round	11.50	168	0.39
D	C20 channel	6" oval	9.13	220	0.50
D	C30 channel	6" oval	11.50	248	0.57
E	C900*	4" round	12.60	175	0.40
F	C900*	6" round	21.63	530	1.22
G	C900*	6" round	12.60	379	0.87
H	C900*	4" round	21.63	242	0.54
I	C900*	6" oval	21.63	372	0.86

* C900 flow rates without trash bucket - using trash bucket reduces flow.

Ground line



C100 Parts list

Description	Part No	Invert Depth				Overall Depth				Weight lbs
		inches		mm		inches		mm		
		Female	Male	Female	Male	Female	Male	Female	Male	
C1 Sloped channel - 39.37" (1m)	05511	4.41	4.65	112	118	5.41	5.65	137	143	32.0
C02 Neutral channel - 39.37" (1m)	05542	4.65	4.65	118	118	5.65	5.65	143	143	32.9
C2 Sloped channel - 39.37" (1m)	05512	4.65	4.88	118	124	5.65	5.88	143	149	32.9
C3 Sloped channel - 39.37" (1m)	05513	4.88	5.12	124	130	5.88	6.12	149	155	33.8
C4 Sloped channel - 39.37" (1m)	05514	5.12	5.35	130	136	6.12	6.35	155	161	34.7
C5 Sloped channel - 39.37" (1m)	05515	5.35	5.59	136	142	6.35	6.59	161	167	35.6
C6 Sloped channel - 39.37" (1m)	05516	5.59	5.83	142	148	6.59	6.83	167	173	36.5
C7 Sloped channel - 39.37" (1m)	05517	5.83	6.06	148	154	6.83	7.06	173	179	37.4
C8 Sloped channel - 39.37" (1m)	05518	6.06	6.30	154	160	7.06	7.30	179	185	38.3
C9 Sloped channel - 39.37" (1m)	05519	6.30	6.54	160	166	7.30	7.54	185	191	39.2
C010 Neutral channel - 39.37" (1m)	05543	6.54	6.54	166	166	7.54	7.54	191	191	40.1
C0103 Neutral channel - 19.69" (0.5m)	05546	6.54	6.54	166	166	7.54	7.54	191	191	23.0
C10 Sloped channel - 39.37" (1m)	05520	6.54	6.77	166	172	7.54	7.77	191	197	40.1
C11 Sloped channel - 39.37" (1m)	05521	6.77	7.01	172	178	7.77	8.01	197	203	41.0
C12 Sloped channel - 39.37" (1m)	05522	7.01	7.24	178	184	8.01	8.24	203	209	41.9
C13 Sloped channel - 39.37" (1m)	05523	7.24	7.48	184	190	8.24	8.48	209	215	42.8
C14 Sloped channel - 39.37" (1m)	05524	7.48	7.72	190	196	8.48	8.72	215	221	43.7
C15 Sloped channel - 39.37" (1m)	05525	7.72	7.95	196	202	8.72	8.95	221	227	44.6
C16 Sloped channel - 39.37" (1m)	05526	7.95	8.19	202	208	8.95	9.19	227	233	45.5
C17 Sloped channel - 39.37" (1m)	05527	8.19	8.43	208	214	9.19	9.43	233	239	46.4
C18 Sloped channel - 39.37" (1m)	05528	8.43	8.66	214	220	9.43	9.66	239	245	47.3
C19 Sloped channel - 39.37" (1m)	05529	8.66	8.90	220	226	9.66	9.90	245	251	48.2
C020 Neutral channel - 39.37" (1m)	05544	8.90	8.90	226	226	9.90	9.90	251	251	49.1
C0203 Neutral channel - 19.69" (0.5m)	05547	8.90	8.90	226	226	9.90	9.90	251	251	26.0
C20 Sloped channel - 39.37" (1m)	05530	8.90	9.13	226	232	9.90	10.13	251	257	49.1
C21 Sloped channel - 39.37" (1m)	05531	9.13	9.37	232	238	10.13	10.37	257	263	50.0
C22 Sloped channel - 39.37" (1m)	05532	9.37	9.61	238	244	10.37	10.61	263	269	50.9
C23 Sloped channel - 39.37" (1m)	05533	9.61	9.84	244	250	10.61	10.84	269	275	51.8
C24 Sloped channel - 39.37" (1m)	05534	9.84	10.08	250	256	10.84	11.08	275	281	52.7
C25 Sloped channel - 39.37" (1m)	05535	10.08	10.31	256	262	11.08	11.31	281	287	53.6
C26 Sloped channel - 39.37" (1m)	05536	10.31	10.55	262	268	11.31	11.55	287	293	54.5
C27 Sloped channel - 39.37" (1m)	05537	10.55	10.79	268	274	11.55	11.79	293	299	55.6
C28 Sloped channel - 39.37" (1m)	05538	10.79	11.02	274	280	11.79	12.02	299	305	56.5
C29 Sloped channel - 39.37" (1m)	05539	11.02	11.26	280	286	12.02	12.26	305	311	57.4
C030 Neutral channel - 39.37" (1m)	05545	11.26	11.26	286	286	12.26	12.26	311	311	58.3
C0303 Neutral channel - 19.69" (0.5m)	05548	11.26	11.26	286	286	12.26	12.26	311	311	31.0
C30 Sloped channel - 39.37" (1m)	05540	11.26	11.50	286	292	12.26	12.50	311	317	59.2
In-line Catch Basins - For information on C600 Series catch basins see page 52										
C900 In-line catch basin - 19.69" (0.5m)	06553	22.00	22.00	560	560	23.00	23.00	585	585	62.0
C900 QuickLok bar (removable)	98717	-	-	-	-	-	-	-	-	0.1
Series 900 Plastic trash bucket	01498	-	-	-	-	9.33	9.33	237	237	1.1
Accessories										
C306 Closing cap	05606	-	-	-	-	12.50	12.50	311	311	4.2
C104-4 4" Inlet cap	05654	-	6.54	-	166	-	7.54	-	191	3.2
C204-4 4" Inlet cap	05655	-	8.90	-	226	-	9.90	-	251	3.2
C304-4 4" Inlet cap	05656	-	11.26	-	286	-	12.25	-	311	3.6
C204-6 6" Inlet cap	91083	-	8.90	-	226	-	9.90	-	251	3.2
C304-6 6" Inlet cap	91085	-	11.26	-	286	-	12.25	-	311	3.6
C108-4 4" Outlet cap	05607	6.77	-	172	-	7.77	-	197	-	3.2
C208-4 4" Outlet cap	05608	9.13	-	232	-	10.13	-	257	-	3.2
C308-4 4" Outlet cap	05609	11.50	-	292	-	12.50	-	317	-	3.6
C208-6 6" Outlet cap	91087	9.13	-	232	-	10.13	-	257	-	3.2
C308-6 6" Outlet cap	91082	11.50	-	292	-	12.50	-	317	-	3.6
Type 824 6" Sch. 40 flumed PVC outlet	95140	-	-	-	-	-	-	-	-	1.1
QuickLok locking bar	02899	-	-	-	-	-	-	-	-	0.1
QuickLok/PowerLok grate removal tool	01318	-	-	-	-	-	-	-	-	0.3

Notes:

1. Preformed 4" dia. & 6" flumed drill-out outlet cast on underside of every channel
2. Closing cap can be cut down to suit all channels

System layout

Meter channels

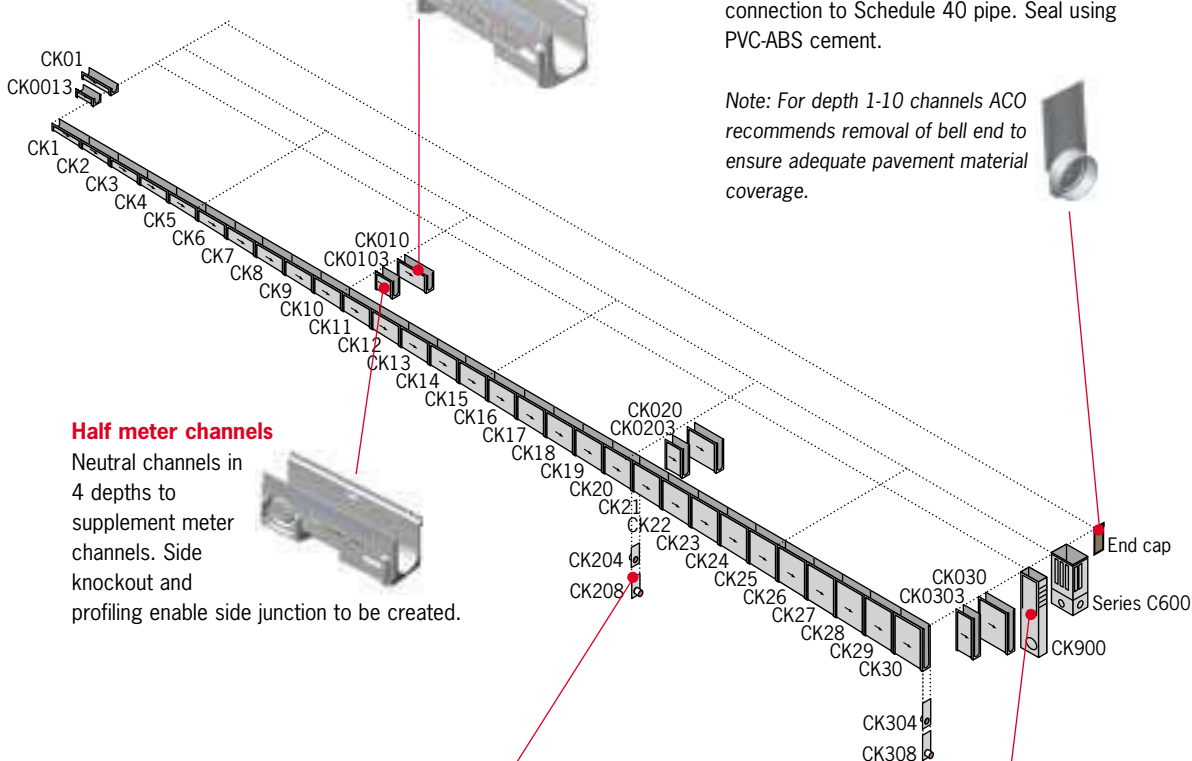
0.6% sloped channels in meter lengths and 30 depths which connect to create 30 meter (98'-5") continuously sloping run.

Neutral channels available in 4 depths. Can be used to create non-sloped runs, or inserted in sloped runs to increase length.

Closing/4" inlet/outlet cap

Fits all channels. Manufactured from gray ABS to complement edge rail. Guides aid cutting to correct height. 4" Bell end connection to Schedule 40 pipe. Seal using PVC-ABS cement.

Note: For depth 1-10 channels ACO recommends removal of bell end to ensure adequate pavement material coverage.



Half meter channels

Neutral channels in 4 depths to supplement meter channels. Side knockout and profiling enable side junction to be created.

6" Sch. 40 inlet/outlet caps

6" Schedule 40 plain end pipe, polypropylene oval to round adapter cast into polymer concrete end cap, available in 2 heights. Solvent weld to coupler.

Note: These end caps cannot be cut to height, and fit only at positions shown in layout diagram.

CK900 catch basin

In-line catch basin with 4" and 6" drill-outs for pipe connection. Available with plastic trash bucket. Options include in-line or side foul air trap.

Any channel can be connected into the catch basin by removing the end wall to the correct height. Drill-outs guide connection to channels 5, 10, 15, 20, 25 and 30.

See Page 32 for flow rates.

Grates

A wide selection of grates available for use with CK100S.

See pages 36-39 for details.



CK100S Parts list

Description	Part No	Invert Depth				Overall Depth				Weight lbs
		inches		mm		inches		mm		
		Female	Male	Female	Male	Female	Male	Female	Male	
CK01 Neutral channel - 39.37" (1m)	06676	4.60	4.60	117	117	5.47	5.47	139	139	27.6
CK0013 Neutral channel - 19.69" (0.5m)	06722	4.60	4.60	117	117	5.47	5.47	139	139	16.5
CK1 Sloped channel - 39.37" (1m)	06681	4.60	4.84	117	123	5.47	5.70	139	145	28.4
CK2 Sloped channel - 39.37" (1m)	06682	4.84	5.07	123	129	5.70	5.94	145	151	29.3
CK3 Sloped channel - 39.37" (1m)	06683	5.07	5.31	129	135	5.94	6.18	151	157	30.1
CK4 Sloped channel - 39.37" (1m)	06684	5.31	5.55	135	141	6.18	6.41	157	163	30.9
CK5 Sloped channel - 39.37" (1m)	06685	5.55	5.78	141	147	6.41	6.65	163	169	31.8
CK6 Sloped channel - 39.37" (1m)	06686	5.78	6.02	147	153	6.65	6.88	169	175	32.6
CK7 Sloped channel - 39.37" (1m)	06687	6.02	6.25	153	159	6.88	7.12	175	181	33.5
CK8 Sloped channel - 39.37" (1m)	06688	6.25	6.49	159	165	7.12	7.36	181	187	34.3
CK9 Sloped channel - 39.37" (1m)	06689	6.49	6.73	165	171	7.36	7.59	187	193	35.1
CK10 Sloped channel - 39.37" (1m)	06690	6.73	6.96	171	177	7.59	7.83	193	199	35.7
CK010 Neutral channel - 39.37" (1m)	99453	6.96	6.96	177	177	7.83	7.83	199	199	36.8
CK0103 Neutral channel - 19.69" (0.5m)	99462	6.96	6.96	177	177	7.83	7.83	199	199	20.5
CK11 Sloped channel - 39.37" (1m)	06691	6.96	7.20	177	183	7.83	8.07	199	205	37.6
CK12 Sloped channel - 39.37" (1m)	06692	7.20	7.44	183	189	8.07	8.31	205	211	38.5
CK13 Sloped channel - 39.37" (1m)	06693	7.44	7.68	189	195	8.31	8.54	211	217	39.3
CK14 Sloped channel - 39.37" (1m)	06694	7.68	7.92	195	201	8.54	8.78	217	223	40.1
CK15 Sloped channel - 39.37" (1m)	06695	7.92	8.14	201	207	8.78	9.01	223	229	41.0
CK16 Sloped channel - 39.37" (1m)	06696	8.14	8.38	207	213	9.01	9.25	229	235	41.8
CK17 Sloped channel - 39.37" (1m)	06697	8.38	8.62	213	219	9.25	9.48	235	241	42.7
CK18 Sloped channel - 39.37" (1m)	06698	8.62	8.86	219	225	9.48	9.72	241	247	43.5
CK19 Sloped channel - 39.37" (1m)	06699	8.86	9.09	225	231	9.72	9.96	247	253	44.3
CK20 Sloped channel - 39.37" (1m)	06700	9.09	9.33	231	237	9.96	10.19	253	259	45.2
CK020 Neutral channel - 39.37" (1m)	99478	9.33	9.33	237	237	10.19	10.19	259	259	46.0
CK0203 Neutral channel - 19.69" (0.5m)	99489	9.33	9.33	237	237	10.19	10.19	259	259	24.5
CK21 Sloped channel - 39.37" (1m)	06701	9.33	9.56	237	243	10.19	10.43	259	265	46.8
CK22 Sloped channel - 39.37" (1m)	06702	9.56	9.80	243	249	10.43	10.66	265	271	47.7
CK23 Sloped channel - 39.37" (1m)	06703	9.80	10.04	249	255	10.66	10.90	271	277	48.5
CK24 Sloped channel - 39.37" (1m)	06704	10.04	10.27	255	261	10.90	11.14	277	283	49.3
CK25 Sloped channel - 39.37" (1m)	06705	10.27	10.51	261	267	11.14	11.38	283	289	50.2
CK26 Sloped channel - 39.37" (1m)	06706	10.51	10.74	267	273	11.38	11.61	289	295	51.0
CK27 Sloped channel - 39.37" (1m)	06707	10.74	10.98	273	279	11.61	11.85	295	301	51.9
CK28 Sloped channel - 39.37" (1m)	06708	10.98	11.22	279	285	11.85	12.08	301	307	52.7
CK29 Sloped channel - 39.37" (1m)	06709	11.22	11.45	285	291	12.08	12.32	307	313	53.5
CK30 Sloped channel - 39.37" (1m)	06710	11.45	11.69	291	297	12.32	12.55	313	319	54.4
CK030 Neutral channel - 39.37" (1m)	99469	11.69	11.69	297	297	12.55	12.55	319	319	55.8
CK0303 Neutral channel - 19.69" (0.5m)	99503	11.69	11.69	297	297	12.55	12.55	319	319	29.0
In-line Catch Basins - For information on C600 Series catch basins see page 52										
CK900 In-line catch basin - 19.69" (0.5m)	96484	24.00	24.00	610	610	25.00	25.00	635	635	71.2
CK900 QuickLok bar (removable)	98717	-	-	-	-	-	-	-	-	0.1
Series 900 Plastic trash bucket	01498	-	-	-	-	9.33	9.33	237	237	1.2
Foul air trap (See page 54)	90854	-	-	-	-	-	-	-	-	1.2
Accessories										
Universal plastic closing/4" inlet/outlet cap	96825	-	-	-	-	12.55	12.55	319	319	0.4
CKS204-6 6" Inlet cap	97174	-	9.33	-	237	-	10.19	-	259	3.2
CKS208-6 6" Outlet cap	97231	9.33	-	237	-	10.19	-	259	-	3.2
CKS304-6 6" Inlet cap	97148	-	11.69	-	297	-	12.55	-	319	3.6
CKS308-6 6" Outlet cap	97203	11.69	-	297	-	12.55	-	319	-	3.6
Type 824 6" Sch. 40 flumed PVC outlet	95140	-	-	-	-	-	-	-	-	1.1
QuickLok locking bar	02899	-	-	-	-	-	-	-	-	0.1
QuickLok/PowerLok grate removal tool	01318	-	-	-	-	-	-	-	-	0.3

Notes:

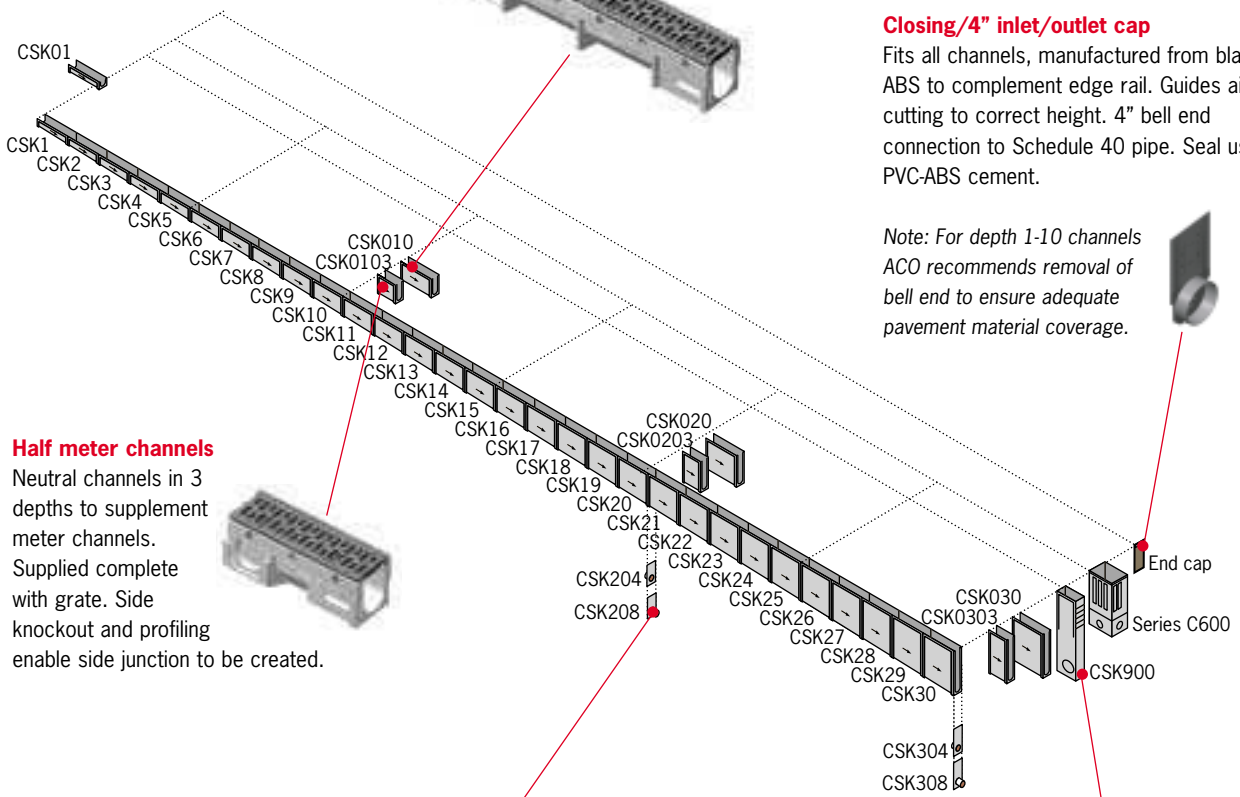
1. Preformed 4" dia. & 6" flumed drill-out outlet cast on underside of every channel
2. Closing cap can be cut down to suit all channels
3. For product dimensional information, see page 32
4. Grade 304 stainless steel rails, ACO recommends the use of non-galvanized grates with stainless steel rails to avoid galvanic corrosion.

System layout

Meter channels

0.6% sloped channels in meter lengths and 30 depths which connect to create 30 meter (98'-5") continuously sloping run. Supplied complete with grate.

Neutral channels available in 4 depths. Can be used to create non-sloped runs, or inserted in sloped runs to increase length.



Half meter channels

Neutral channels in 3 depths to supplement meter channels. Supplied complete with grate. Side knockout and profiling enable side junction to be created.

6" Sch. 40 inlet/outlet caps

6" Schedule 40 plain end pipe, polypropylene oval to round adapter cast into polymer concrete end cap, available in 2 heights. Solvent weld to coupler.

Note: These end caps cannot be cut to height, and fit only at positions shown in layout diagram.

Grates

Supplied complete with choice of slotted or ADA compliant ductile iron grate. See page 44 for details.

Closing/4" inlet/outlet cap

Fits all channels, manufactured from black ABS to complement edge rail. Guides aid cutting to correct height. 4" bell end connection to Schedule 40 pipe. Seal using PVC-ABS cement.

Note: For depth 1-10 channels ACO recommends removal of bell end to ensure adequate pavement material coverage.

CSK900 catch basin

In-line catch basin with 4" and 6" drill-outs for pipe connection. Supplied with grate. Available with plastic trash bucket. Options include in-line or side foul air trap.

Any channel can be connected into the catch basin by removing the end wall to the correct height. Drill-outs guide connection to channels 5, 10, 15, 20, 25 and 30.

See Page 46 for flow rates.

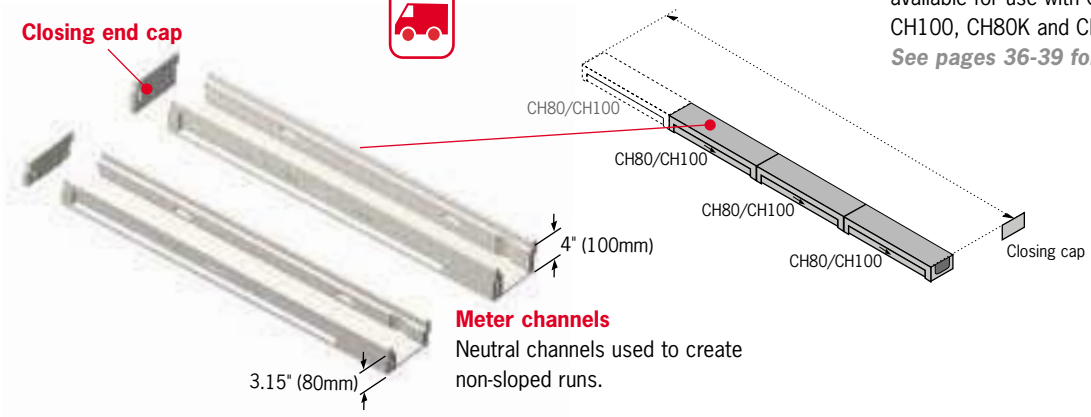
CS100K Parts list

Description	Part No		Invert Depth				Overall Depth				Weight lbs
			inches		mm		inches		mm		
	Slotted	ADA	Female	Male	Female	Male	Female	Male	Female	Male	
CSK01 Neutral channel - 39.37" (1m)	90404	90405	4.41	4.41	112	112	5.41	5.41	137	137	74.4
CSK1 Sloped channel - 39.37" (1m)	90417	90418	4.41	4.65	112	118	5.41	5.65	137	143	75.4
CSK2 Sloped channel - 39.37" (1m)	90426	90427	4.65	4.88	118	124	5.65	5.88	143	149	76.4
CSK3 Sloped channel - 39.37" (1m)	90431	90432	4.88	5.12	124	130	5.88	6.12	149	155	77.5
CSK4 Sloped channel - 39.37" (1m)	90448	90449	5.12	5.35	130	136	6.12	6.35	155	161	78.5
CSK5 Sloped channel - 39.37" (1m)	90455	90456	5.35	5.59	136	142	6.35	6.59	161	167	79.5
CSK6 Sloped channel - 39.37" (1m)	90463	90464	5.59	5.83	142	148	6.59	6.83	167	173	80.5
CSK7 Sloped channel - 39.37" (1m)	90472	90473	5.83	6.06	148	154	6.83	7.06	173	179	81.5
CSK8 Sloped channel - 39.37" (1m)	90481	90482	6.06	6.30	154	160	7.06	7.30	179	185	82.5
CSK9 Sloped channel - 39.37" (1m)	90497	90497	6.30	6.54	160	166	7.30	7.54	185	191	83.6
CSK10 Sloped channel - 39.37" (1m)	90506	90507	6.54	6.77	166	172	7.54	7.77	191	197	84.6
CSK010 Neutral channel - 39.37" (1m)	90514	90515	6.77	6.77	172	172	7.77	7.77	197	197	85.6
CSK0103 Neutral channel - 19.69" (0.5m)	90522	90523	6.77	6.77	172	172	7.77	7.77	197	197	44.2
CSK11 Sloped channel - 39.37" (1m)	90539	90541	6.77	7.01	172	178	7.77	8.01	197	203	86.6
CSK12 Sloped channel - 39.37" (1m)	90540	90542	7.01	7.24	178	184	8.01	8.24	203	209	87.5
CSK13 Sloped channel - 39.37" (1m)	90555	90556	7.24	7.48	184	190	8.24	8.48	209	215	88.5
CSK14 Sloped channel - 39.37" (1m)	90563	90564	7.48	7.72	190	196	8.48	8.72	215	221	89.5
CSK15 Sloped channel - 39.37" (1m)	90577	90578	7.72	7.95	196	202	8.72	8.95	221	227	90.4
CSK16 Sloped channel - 39.37" (1m)	90581	90582	7.95	8.19	202	208	8.95	9.19	227	233	91.4
CSK17 Sloped channel - 39.37" (1m)	90598	90599	8.19	8.43	208	214	9.19	9.43	233	239	92.3
CSK18 Sloped channel - 39.37" (1m)	90600	90601	8.43	8.66	214	220	9.43	9.66	239	245	93.3
CSK19 Sloped channel - 39.37" (1m)	90619	90620	8.66	8.90	220	226	9.66	9.90	245	251	94.3
CSK20 Sloped channel - 39.37" (1m)	90626	90627	8.90	9.13	226	232	9.90	10.13	251	257	95.2
CSK020 Neutral channel - 39.37" (1m)	90634	90635	9.13	9.13	232	232	10.13	10.13	257	257	96.2
CSK0203 Neutral channel - 19.69" (0.5m)	90839	90840	9.13	9.13	232	232	10.13	10.13	257	257	49.7
CSK21 Sloped channel - 39.37" (1m)	90642	90643	9.13	9.37	232	238	10.13	10.37	257	263	97.2
CSK22 Sloped channel - 39.37" (1m)	90654	90655	9.37	9.61	238	244	10.37	10.61	263	269	98.1
CSK23 Sloped channel - 39.37" (1m)	90666	90667	9.61	9.84	244	250	10.61	10.84	269	275	99.1
CSK24 Sloped channel - 39.37" (1m)	90678	90679	9.84	10.08	250	256	10.84	11.08	275	281	100.1
CSK25 Sloped channel - 39.37" (1m)	90683	90684	10.08	10.31	256	262	11.08	11.31	281	287	101.0
CSK26 Sloped channel - 39.37" (1m)	90691	90692	10.31	10.55	262	268	11.31	11.55	287	293	102.0
CSK27 Sloped channel - 39.37" (1m)	90707	90708	10.55	10.79	268	274	11.55	11.79	293	299	103.0
CSK28 Sloped channel - 39.37" (1m)	90715	90716	10.79	11.02	274	280	11.79	12.02	299	305	103.9
CSK29 Sloped channel - 39.37" (1m)	90729	90731	11.02	11.26	280	286	12.02	12.26	305	311	104.9
CSK30 Sloped channel - 39.37" (1m)	90730	90732	11.26	11.50	286	292	12.26	12.50	311	317	105.8
CSK030 Neutral channel - 39.37" (1m)	90743	90744	11.50	11.50	292	292	12.50	12.50	317	317	106.8
CSK0303 Neutral channel - 19.69" (0.5m)	90847	90848	11.50	11.50	292	292	12.50	12.50	317	317	55.0
In-line Catch Basins - For information on C600 Series catch basins see page 52											
CSK900 In-line catch basin - 19.69" (0.5m)	90792	90793	-	-	-	-	25.00	25.00	635	635	102.4
Series 900 Plastic trash bucket	01498	01498	-	-	-	-	9.33	9.33	237	237	1.1
Foul air trap (See page 54)	90854	90854	-	-	-	-	-	-	-	-	1.2
Accessories											
Universal plastic closing/4" inlet/outlet cap	95063	95063	-	-	-	-	12.50	12.50	317	317	0.4
CSK204-6 6" Inlet cap	90852	90852	-	9.13	-	232	-	10.13	-	257	4.8
CSK208-6 6" Outlet cap	90857	90857	9.13	-	232	-	10.13	-	257	-	4.8
CSK304-6 6" Inlet cap	90855	90855	-	11.50	-	292	-	12.50	-	317	6.1
CSK308-6 6" Outlet cap	90853	90853	11.50	-	292	-	12.50	-	317	-	6.1
Type 824 6" Sch. 40 flumed PVC outlet	95140	95140	-	-	-	-	-	-	-	-	1.1
QuickLok/PowerLok grate removal tool	01318	01318	-	-	-	-	-	-	-	-	0.3

Notes:

1. PowerDrain is sold complete, i.e., channel with grate. Choose appropriate part number from table depending on grate required
2. ADA grate - Add 2.6lbs to calculate weight for one meter channels and 1.3lbs to half meter channels and CSK900 catch basin
3. Preformed 4" dia. & 6" flumed drill-out outlet cast on underside of every channel
4. Closing cap can be cut down to suit all channels
5. For product dimensional information, see page 46

CH80 / CH100

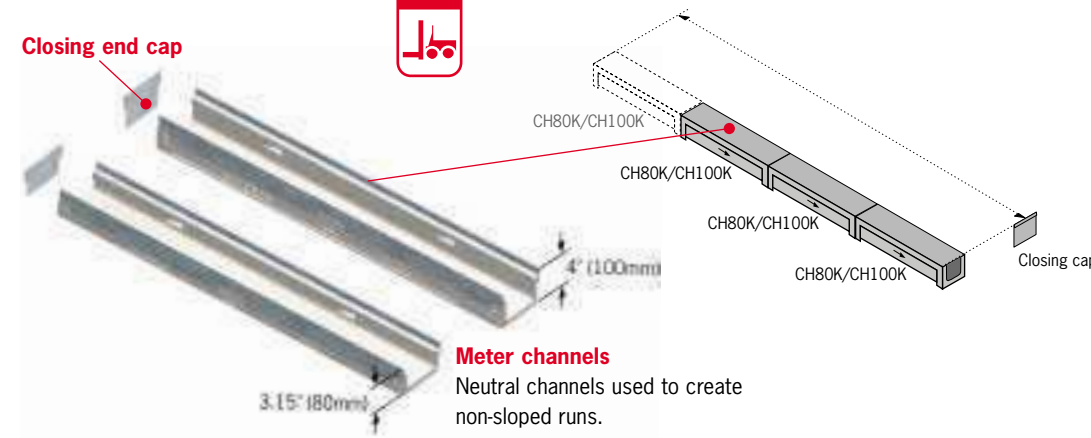


Meter channels
Neutral channels used to create non-sloped runs.

Grates

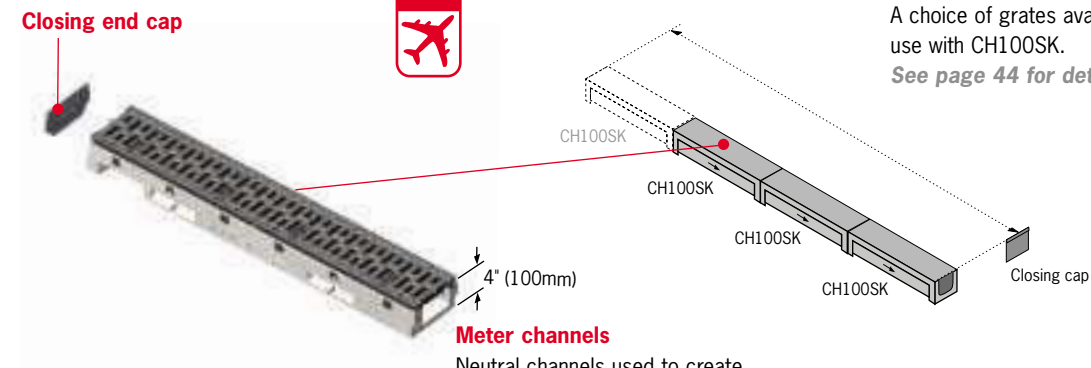
A wide selection of grates available for use with CH80, CH100, CH80K and CH100K.
See pages 36-39 for details.

CH80K / CH100K



Meter channels
Neutral channels used to create non-sloped runs.

CH100SK



Meter channels
Neutral channels used to create non-sloped runs.

Grates

A choice of grates available for use with CH100SK.
See page 44 for details.



CH80 / CH100 Parts list

Description	Part No	Invert Depth				Weight lbs
		inches		mm		
		Female	Male	Female	Male	
CH80 Neutral channel - 39.37" (1m)	05960	2.56	2.56	65	65	20.0
CH100 Neutral channel - 39.37" (1m)	05961	3.35	3.35	85	85	25.0
CH80 Vinyl ester closing cap	05962	2.56	2.56	65	65	1.0
CH100 Vinyl ester closing cap	05963	3.35	3.35	85	85	1.0

Notes:

1. Add nominal 0.6" (15mm) to invert depth for overall channel depth
2. Preformed Sch. 40 4" dia. drill-out cast on underside of each channel
3. See pages 36-39 for details on suitable grates, recommended max. load Class C (56,000lb - 280psi)
4. Use QuickLok/PowerLok grate removal tool to remove grates (Part # 01318)

CH80K / CH100K Parts list

Description	Part No	Invert Depth				Weight lbs
		inches		mm		
		Female	Male	Female	Male	
CH80K Neutral channel - 39.37" (1m)	95375	2.56	2.56	65	65	16.0
CH100K Neutral channel - 39.37" (1m)	95374	3.35	3.35	85	85	21.4
CH80K Stainless steel closing cap	98471	2.56	2.56	65	65	1.0
CH100K Stainless steel closing cap	96740	3.35	3.35	85	85	1.0

Notes:

1. CH80KS and CH100KS have Grade 304 stainless steel rails
2. Add nominal 0.6" (15mm) to invert depth for overall channel depth
3. Preformed Sch. 40 4" dia. drill-out cast on underside of each channel
4. See pages 36-39 for details on suitable grates
5. Use QuickLok/PowerLok grate removal tool to remove grates (Part # 01318)

CH100SK Parts list

Description	Part No	Invert Depth				Weight lbs
		inches		mm		
		Female	Male	Female	Male	
CH100SK Neutral channel - 39.37" (1m) complete with slotted ductile grate	93441	2.95	2.95	75	75	69.5
CH100SK Neutral channel - 39.37" (1m) complete with ADA ductile grate	93452	2.95	2.95	75	75	72.1
CH100SK Plastic closing cap	97334	2.95	2.95	75	75	1.0

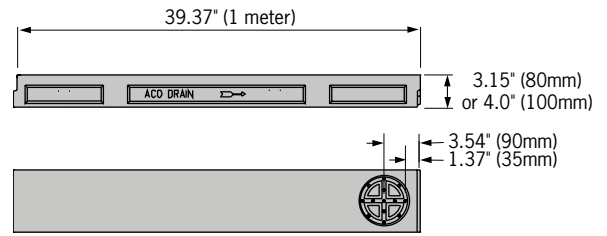
Notes:

1. CH100SK is sold complete. i.e., channel with grate.
2. Add nominal 1.0" (25mm) to invert depth for overall channel depth
3. Preformed Sch. 40 4" dia. drill-out cast on underside of each channel
4. See page 44 for details on suitable grates
5. Use QuickLok/PowerLok grate removal tool to remove grates (Part # 01318)

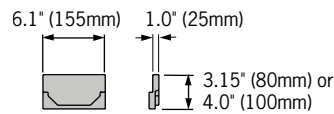
Flow rates

Outlet	Product	Outlet Size (Sch 40)	Invert Depth	GPM	CFS
CH80/CH80K channel		4" round	2.56	87	0.20
CH100/CH100K channel		4" round	3.35	99	0.23
CH100SK channel		4" round	2.95	93	0.21

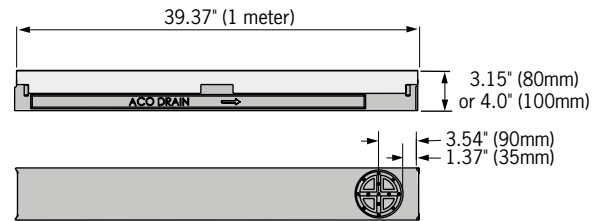
CH80 / CH100 channel



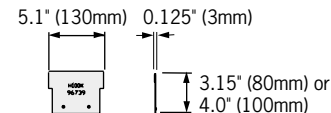
Closing cap



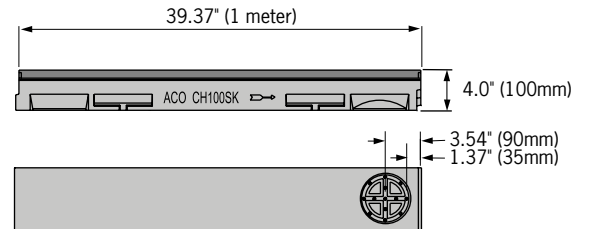
CH80K / CH100K channel



Closing cap



CH100SK channel



Closing cap

