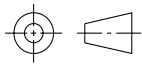
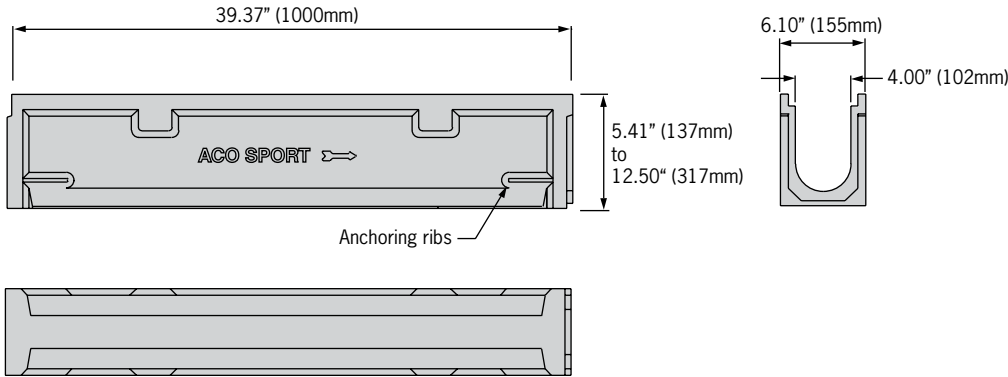


**System 4000**

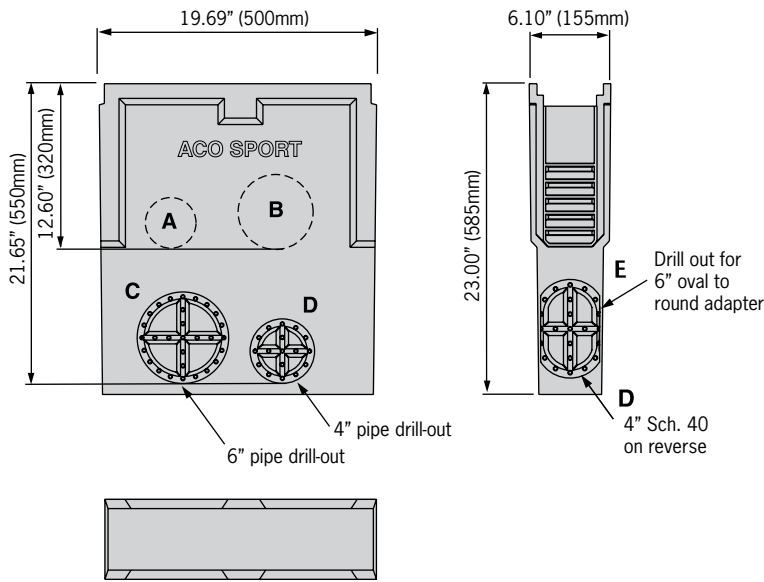
**Open channel trench drain system**



**One meter channel**



**In-line catch basin**



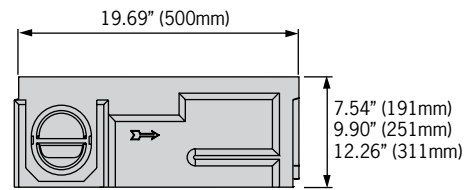
Total capacity = 6.50 gallons

**Outlet flow rates**

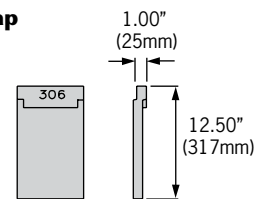
Outlet	Product	Outlet size (Sch. 40)	Invert Depth	GPM	CFS
A	In-line catch basin*	4" round	12.60	175	0.40
B	In-line catch basin*	6" round	12.60	379	0.87
C	In-line catch basin*	6" round	21.63	530	1.22
D	In-line catch basin*	4" round	21.63	242	0.54
E	In-line catch basin*	6" oval	21.63	372	0.86
F	108-4 outlet cap	4" round	6.77	119	0.27
F	208-4 outlet cap	4" round	9.13	220	0.50
F	308-4 outlet cap	4" round	11.50	168	0.39
G	208-6 outlet cap	6" oval	9.13	220	0.50
G	308-6 outlet cap	6" oval	11.50	248	0.57

\* In-line catch basin flow rate without trash bucket - using trash bucket reduces flow

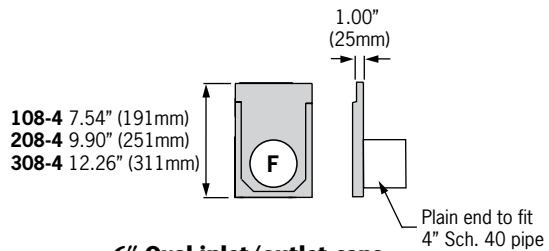
**Half meter channel**



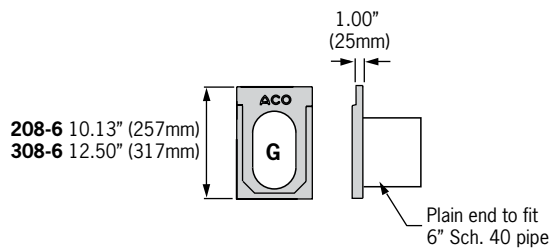
**Closing cap**



**4" inlet/outlet caps**



**6" Oval inlet/outlet caps**



ACO Specification Information



# ACO SPORT

## System 4000 Open channel trench drain system

ACO Specification Information

Description	Part No.	Overall Depth		Weight lbs.
		inches	mm	
4000-1 Sloped channel - 39.37" (1m)	00001	5.41 - 5.65	137 - 143	32.0
<b>4002 Neutral channel - 39.37" (1m)</b>	<b>06562</b>	<b>5.65</b>	<b>143</b>	<b>32.9</b>
4000-2 Sloped channel - 39.37" (1m)	00002	5.65 - 5.88	143 - 149	32.9
4000-3 Sloped channel - 39.37" (1m)	00004	5.88 - 6.12	149 - 155	33.8
4000-4 Sloped channel - 39.37" (1m)	00005	6.12 - 6.35	155 - 161	34.7
4000-5 Sloped channel - 39.37" (1m)	00006	6.35 - 6.59	161 - 167	35.6
4000-6 Sloped channel - 39.37" (1m)	00007	6.59 - 6.83	167 - 173	36.5
4000-7 Sloped channel - 39.37" (1m)	00008	6.83 - 7.06	173 - 179	37.4
4000-8 Sloped channel - 39.37" (1m)	00009	7.06 - 7.30	179 - 185	38.3
4000-9 Sloped channel - 39.37" (1m)	00010	7.30 - 7.54	185 - 191	39.2
<b>4010 Neutral channel - 39.37" (1m)</b>	<b>06561</b>	<b>7.54</b>	<b>191</b>	<b>40.1</b>
<b>40103 Neutral channel - 19.69" (0.5m)</b>	<b>00013</b>	<b>7.54</b>	<b>191</b>	<b>23.0</b>
4000-10 Sloped channel - 39.37" (1m)	00014	7.54 - 7.77	191 - 197	40.1
4000-11 Sloped channel - 39.37" (1m)	00015	7.77 - 8.01	197 - 203	41.0
4000-12 Sloped channel - 39.37" (1m)	00016	8.01 - 8.24	203 - 209	41.9
4000-13 Sloped channel - 39.37" (1m)	00017	8.24 - 8.48	209 - 215	42.8
4000-14 Sloped channel - 39.37" (1m)	00018	8.48 - 8.72	215 - 221	43.7
4000-15 Sloped channel - 39.37" (1m)	00019	8.72 - 8.95	221 - 227	44.6
4000-16 Sloped channel - 39.37" (1m)	00020	8.95 - 9.19	227 - 233	45.5
4000-17 Sloped channel - 39.37" (1m)	00346	9.19 - 9.43	233 - 239	46.4
4000-18 Sloped channel - 39.37" (1m)	00021	9.43 - 9.66	239 - 245	47.3
4000-19 Sloped channel - 39.37" (1m)	00022	9.66 - 9.90	245 - 251	48.2
<b>4020 Neutral channel - 39.37" (1m)</b>	<b>06563</b>	<b>9.90</b>	<b>251</b>	<b>49.1</b>
<b>40203 Neutral channel - 19.69" (0.5m)</b>	<b>05502</b>	<b>9.90</b>	<b>251</b>	<b>26.0</b>
4000-20 Sloped channel - 39.37" (1m)	00024	9.90 - 10.13	251 - 257	49.1
4000-21 Sloped channel - 39.37" (1m)	00025	10.13 - 10.37	257 - 263	50.0
4000-22 Sloped channel - 39.37" (1m)	00026	10.37 - 10.61	263 - 269	50.9
4000-23 Sloped channel - 39.37" (1m)	00027	10.61 - 10.84	269 - 275	51.8
4000-24 Sloped channel - 39.37" (1m)	00028	10.84 - 11.08	275 - 281	52.7
4000-25 Sloped channel - 39.37" (1m)	00029	11.08 - 11.31	281 - 287	53.6
4000-26 Sloped channel - 39.37" (1m)	00030	11.31 - 11.55	287 - 293	54.5
4000-27 Sloped channel - 39.37" (1m)	00031	11.55 - 11.79	293 - 299	55.6
4000-28 Sloped channel - 39.37" (1m)	00032	11.79 - 12.02	299 - 305	56.5
4000-29 Sloped channel - 39.37" (1m)	00033	12.02 - 12.26	305 - 311	57.4
<b>4030 Neutral channel - 39.37" (1m)</b>	<b>00034</b>	<b>12.26</b>	<b>311</b>	<b>58.3</b>
<b>40303 Neutral channel - 19.69" (0.5m)</b>	<b>05503</b>	<b>12.26</b>	<b>311</b>	<b>31.0</b>
4000-30 Sloped channel - 39.37" (1m)	00035	12.26 - 12.50	311 - 317	59.2
<b>In-line catch basin</b>				
In-line catch basin - 19.69" (0.5m)	05620	23.00	585	57.0
Removable QuickLok bar for catch basin	98717	-	-	0.1
Series 900 Plastic trash bucket	01498	9.25	235	1.1
6" oval to round adapter (fits outlet E)	95140	-	-	1.1
<b>Accessories</b>				
Universal closing end cap (fits all channels)	01078	12.50	311	4.2
104-4 Inlet cap for 4" Schedule 40 pipe (fits 4000-10)	05651	7.54	191	3.2
204-4 Inlet cap for 4" Schedule 40 pipe (fits 4000-20)	05573	9.90	251	3.2
204-6 Inlet cap for 6" Schedule 40 pipe (fits 4000-20)	05574	9.90	251	3.6
304-4 Inlet cap for 4" Schedule 40 pipe (fits 4000-30)	05652	12.25	311	3.2
304-6 Inlet cap for 6" Schedule 40 pipe (fits 4000-30)	05569	12.25	311	3.6
108-4 Outlet cap for 4" Schedule 40 pipe (fits 4000-10)	05571	7.77	197	3.2
208-4 Outlet cap for 4" Schedule 40 pipe (fits 4000-20)	05653	10.13	257	3.2
208-6 Outlet cap for 6" Schedule 40 pipe (fits 4000-20)	05570	10.13	257	3.6
308-4 Outlet cap for 4" Schedule 40 pipe (fits 4000-30)	05575	12.50	317	3.2
308-6 Outlet cap for 6" Schedule 40 pipe (fits 4000-30)	05572	12.50	317	3.6
<b>Grates - see separate specification sheet</b>				

**Notes:**

1. Subtract 1" (25mm) for invert depth of channels and catch basin

**ACO Polymer Products, Inc.**

**East Sales Office**

P.O. Box 245  
Chardon, OH 44024  
Tel: (440) 285-7000  
Toll free: (800) 543-4764  
Fax: (440) 285-7005

**West Sales Office**

P.O. Box 12067  
Casa Grande, AZ 85230  
Tel: (520) 421-9988  
Toll Free: (888) 490-9552  
Fax: (520) 421-9899

**Electronic Contact:**

info@acousa.com  
www.acousa.com

