

ACO Specification Information

Specifications

General

The surface drainage system shall be ACO Drain Brickslot, as manufactured by ACO, Inc. or equal approved.

Materials

The Brickslot top is manufactured from 11 gauge stainless steel.

The nominal clear opening for Brickslot is ½" (12 mm) with overall width of 4.84" (123 mm). An offset slot helps prevent debris from being trapped. For use with KS100, MembraneDrain, SlabDrain (H100-10, H100-8, H100KS-8), and the KS100 Series 900 catch basin. See separate ACO Spec info sheet for channel details. Brickslot rests in the grate seating of the channel, the anti-shunt lugs help prevent lateral movement and the weight of covering material keeps the unit secured. Access units have frames that fit catch basins with a separate unit that can be removed for maintenance.

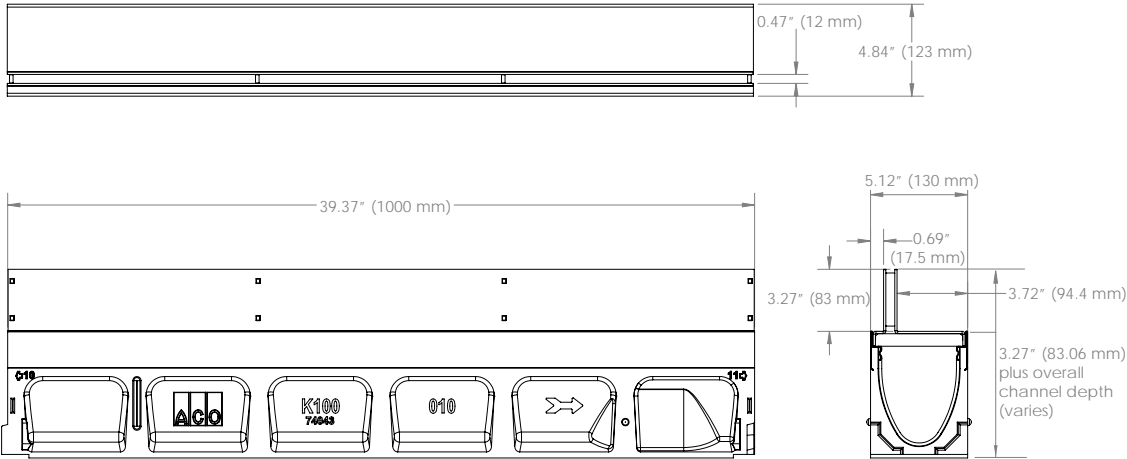
Installation

The trench drain system shall be installed in accordance with the manufacturer's installation instructions and recommendations.

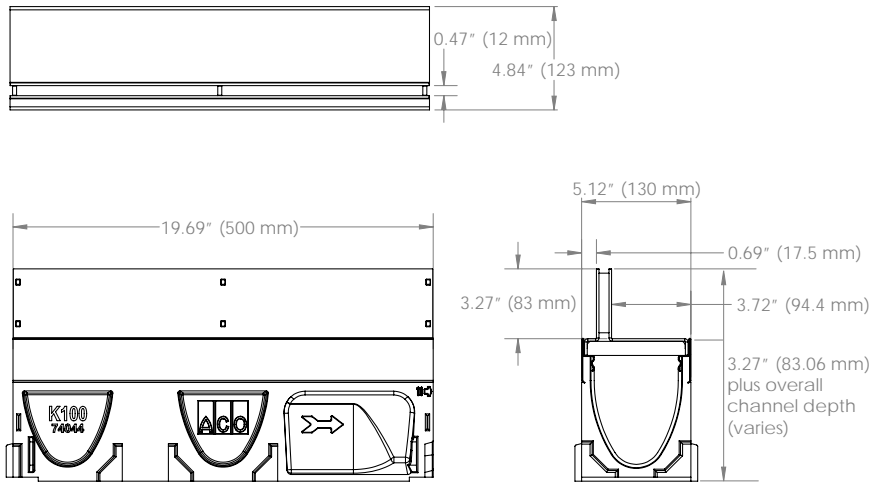
ACO DRAIN

Type 443/444 Stainless Steel Brickslot 100

One meter unit



Half meter unit



Description	Part No.	Overall Depth in.	mm	Weight lbs.
Type 443/444 - Brickslot 100 - 39.37" (1m) Stainless Steel	138045	4.06	103	17.6
Type 443/444 - Brickslot 100 - 19.69" (0.5m) Stainless Steel	138046	4.06	103	9.0

Notes:

1. For use with KS100 channels, and Series 900 catch basins.
2. Brickslot can also be used with SlabDrain H and HKS channels.

ACO Specification Information

ACO, Inc.
Northeast Sales Office
 9470 Pinecone Drive
 Mentor, OH 44060
 Tel: (440) 639-7230
 Toll free: (800) 543-4764
 Fax: (440) 639-7235

West Sales Office
 825 W. Beechcraft St.
 Casa Grande, AZ 85122
 Tel: (520) 421-9988
 Toll Free: (888) 490-9552
 Fax: (520) 421-9899

Southeast Sales Office
 4211 Pleasant Road
 Fort Mill, SC 29708
 Toll free: (800) 543-4764
 Fax: (803) 802-1063



Electronic Contact:
 info@ACODrain.us
 www.ACODrain.us



© April 2018, ACO, Inc. This information is believed to be accurate but it is not guaranteed to be so. We cannot assume liability for results that buyer obtains with our product since conditions of use are beyond the control of the company. It is the customer's responsibility to evaluate suitability and safety of product for his own use. ACO, Inc. reserves the right to change the product and specifications without notice.