

Typical applications

- *Containment areas*
- *Chemical plants*
- *Processing plants*
- *Factories*
- *Laboratories*
- *Wash down areas*



**C100
CK100S
CS100K**

**CH80/CH100
CH80K/CH100K
CH100SK**

ChemDrain provides solutions for use in chemically aggressive environments. The interconnecting Vinyl ester polymer concrete channels come in sloped and neutral depths. A full range of accessories complete the system.

A choice of grates in different materials, slot configurations and load ratings are available and can be secured into the channel by one of ACO's patented boltless locking devices - QuickLok or PowerLok.

C100/CH80/CH100 has no metal edge rail, is suitable for loadings up to Class C, and is ideal for use in areas where no metals can be used (plastic grates are available for such applications).

CK100S/CH80K/CH100K has a stainless steel edge rail and is suitable for loadings up to Class E. CS100K/CH100SK has a ductile iron edge rail and is suitable for loadings up to Class F.





ChemDrain

Trench drainage for chemically aggressive environments



Sloped (0.6%) channel units - meter long units provide 98'-5" continuous slope. Neutral units can be used to extend run lengths.

Wide choice of grates in various corrosion resistant materials.
C100 and CK100S - applications from Load Class A to Load Class E.

C100 - polymer concrete grate seat and edge ideal for situations where metals cannot be used. Due to edge detail, ACO rates Load Class C only - regardless of grate loading.

4" internal width trench system - meter (39.37") and half meter (19.69") channels. 'U' shaped bottom improves flow hydraulics.

SF Sealant Groove - a 5/16" by 5/16" groove is cast into the female end of every channel. This groove allows for a positive bead of flexible sealant to be inserted at joints.

Interconnecting end profiles allow easy and effective joining of channels.



QuickLok on C100 and CK100S -

provides quick fitting and removal of grates, helps reduce installation/maintenance time and cost.

CK100S - Integrally cast-in stainless steel edge rail provides additional strength and protects the channel edge from damage.

Profiled side walls - strengthening pillars and frost keys provide channel body strength and mechanical keying to concrete surround.

PowerLok on CS100K - patented, boltless locking system provides quick fitting and removal of grate. Helps reduce installation/maintenance time and cost.

CS100K Ductile iron grates - heavy duty ductile iron grates in choice of slotted or ADA compliant to Load Class F.

Direction arrows on the sides of the channel indicate flow direction and ensure channels are installed correctly.

CS100K - Integrally cast-in ductile iron edge rail provides maximum strength and protection for the channel body.

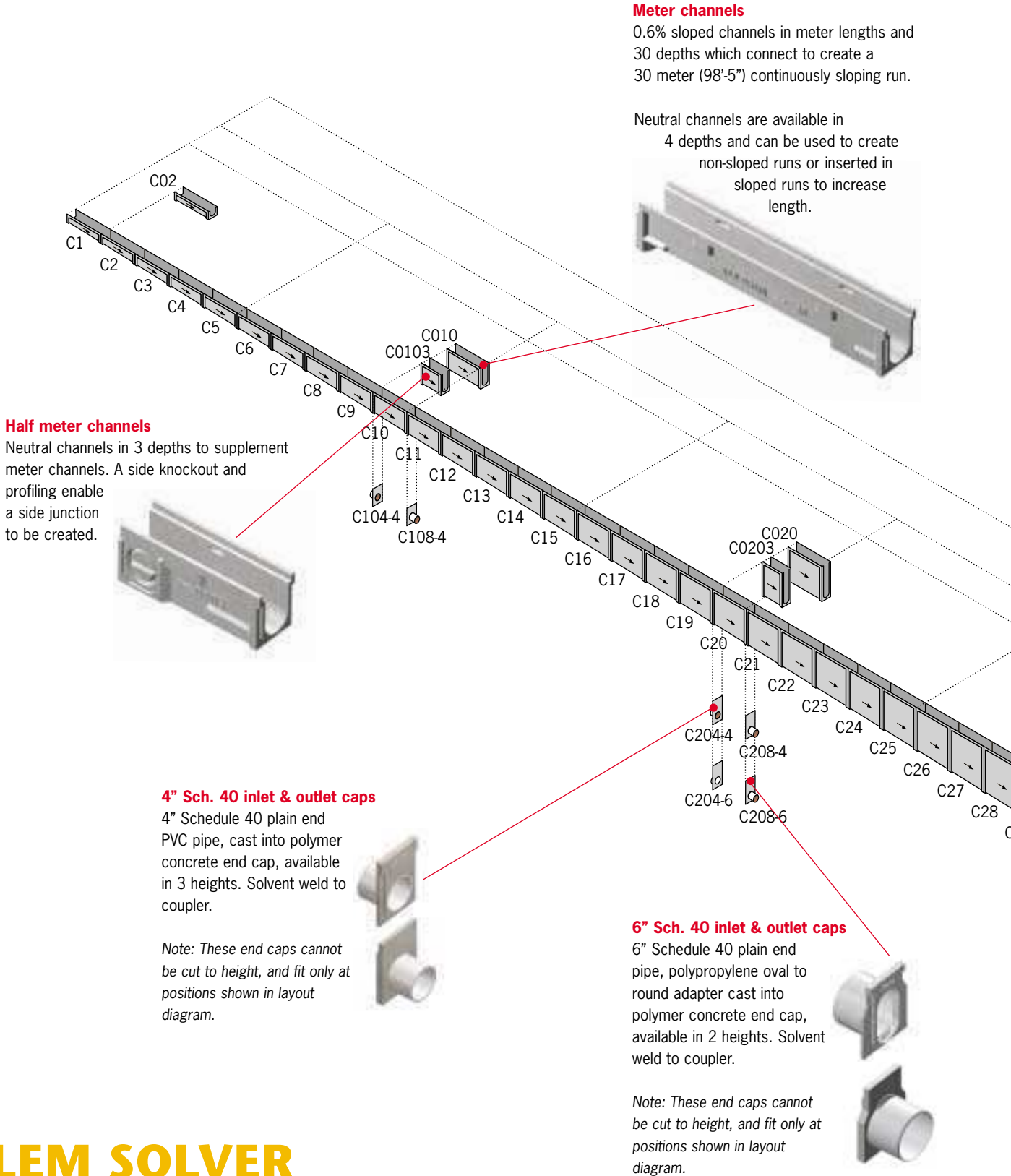
CS100K 'Anti-shunt' lugs - recesses in grate fits around lugs on the edge rail to prevent longitudinal movement of grate.

Vinyl ester polymer concrete - a durable highly chemically resistant material made from Vinyl ester resin binder reinforced by quartz aggregates and silica fillers. See page 115 for details on chemical resistance.



Bottom drill-outs are included on all meter and half meter channel units to allow vertical evacuation of system along run. Drill-outs are sized for 4" or 6" Schedule 40 pipes. Note: For the 6" drill out an oval to round adapter will be required (Part # 95140). See page 54 for details.

System layout



Meter channels
 0.6% sloped channels in meter lengths and 30 depths which connect to create a 30 meter (98'-5") continuously sloping run.

Neutral channels are available in 4 depths and can be used to create non-sloped runs or inserted in sloped runs to increase length.

Half meter channels
 Neutral channels in 3 depths to supplement meter channels. A side knockout and profiling enable a side junction to be created.

4" Sch. 40 inlet & outlet caps
 4" Schedule 40 plain end PVC pipe, cast into polymer concrete end cap, available in 3 heights. Solvent weld to coupler.

Note: These end caps cannot be cut to height, and fit only at positions shown in layout diagram.

6" Sch. 40 inlet & outlet caps
 6" Schedule 40 plain end pipe, polypropylene oval to round adapter cast into polymer concrete end cap, available in 2 heights. Solvent weld to coupler.

Note: These end caps cannot be cut to height, and fit only at positions shown in layout diagram.

Closing cap

Fits all channels, manufactured from Vinyl ester polymer concrete. Can be cut to correct height from the bottom using a concrete saw.

Seal to channel using appropriate flexible sealant or ACO Bond-VE (Part # 06515).



Grates

A wide selection of grates available for use with C100. C100 channel body rated to Load Class C only.

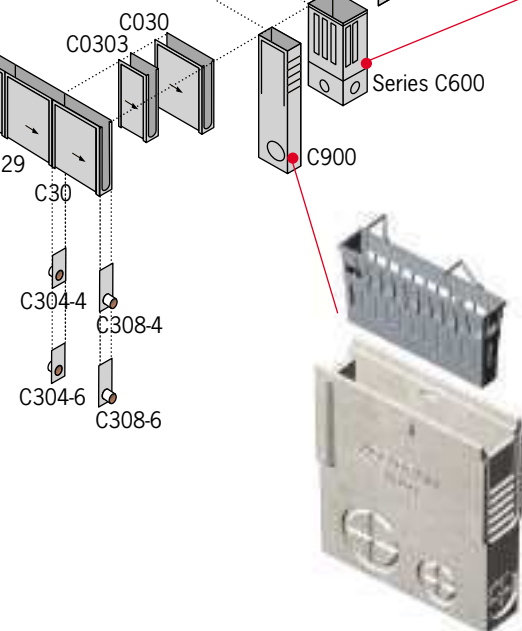
See pages 36-39 for details.

Series C600 catch basins

Vinyl ester polymer concrete catch basins with 4", 6" and 8" drill-outs for pipe connection. Supplied complete with grate. Available with plastic trash bucket or filter bag. Riser unit fits between top and bottom unit. Options include a choice of deep or short bases.

Any channel can be connected into the catch basin by removing the end wall to the correct height. Drill-outs guide connection to channels 5, 10, 15, 20, 25 and 30.

See page 52 for details.



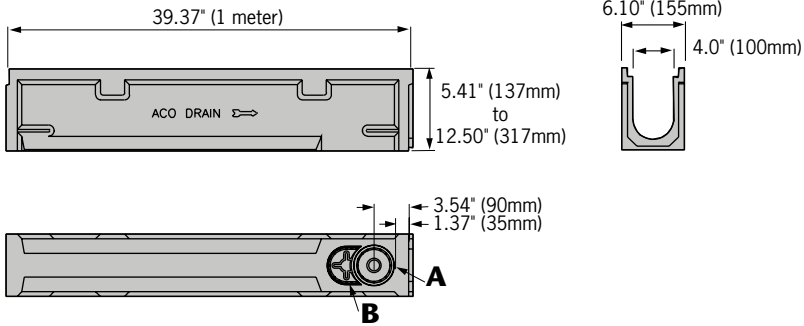
C900 catch basin

In-line catch basin with 4" and 6" drill-outs for pipe connection. Available with plastic trash bucket.

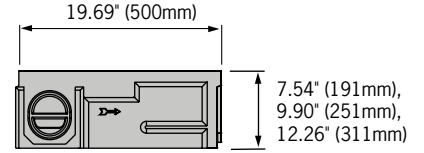
Any channel can be connected into the catch basin by removing the end wall to the correct height. Drill-outs guide connection to channels 5, 10, 15, 20, 25 and 30.



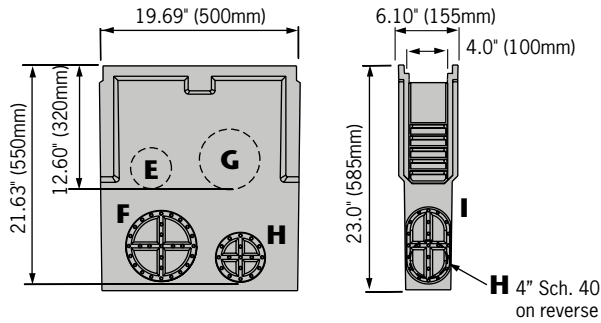
One meter channel



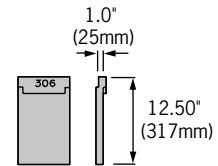
Half meter channel



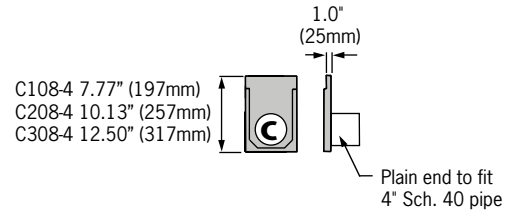
In-line catch basin



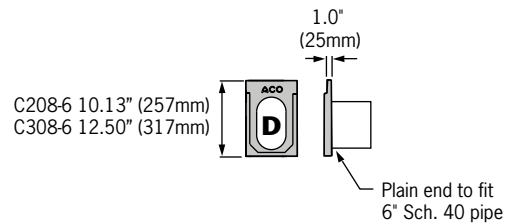
Closing cap



4" Inlet/outlet caps



6" Oval inlet/outlet caps

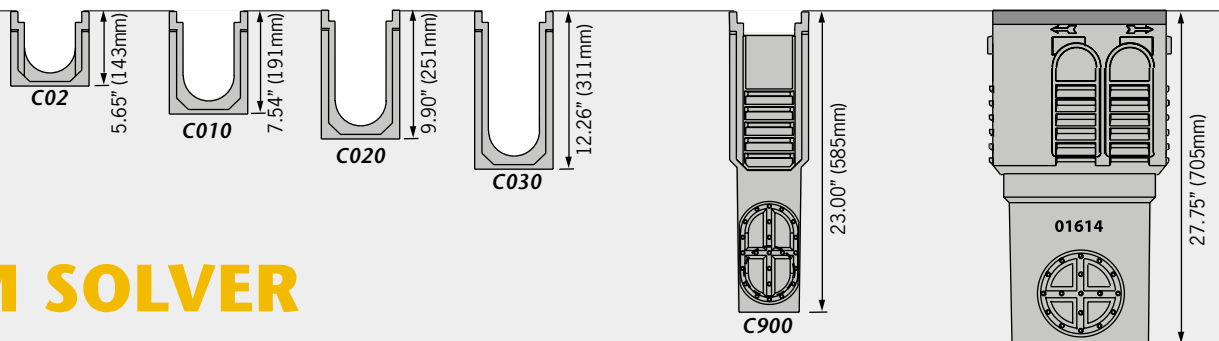


Flow rates

| Outlet | Product | Outlet Size (Sch 40) | Invert Depth | GPM | CFS |
|--------|-------------|----------------------|--------------|-----|------|
| A | C1 channel | 4" round | 4.65 | 117 | 0.26 |
| A | C30 channel | 4" round | 11.50 | 185 | 0.41 |
| B | C1 channel | 6" oval | 4.65 | 183 | 0.40 |
| B | C30 channel | 6" oval | 11.50 | 288 | 0.64 |
| C | C10 channel | 4" round | 6.54 | 119 | 0.27 |
| C | C30 channel | 4" round | 11.50 | 168 | 0.39 |
| D | C20 channel | 6" oval | 9.13 | 220 | 0.50 |
| D | C30 channel | 6" oval | 11.50 | 248 | 0.57 |
| E | C900* | 4" round | 12.60 | 175 | 0.40 |
| F | C900* | 6" round | 21.63 | 530 | 1.22 |
| G | C900* | 6" round | 12.60 | 379 | 0.87 |
| H | C900* | 4" round | 21.63 | 242 | 0.54 |
| I | C900* | 6" oval | 21.63 | 372 | 0.86 |

* C900 flow rates without trash bucket - using trash bucket reduces flow.

Ground line



C100 Parts list

| Description | Part No | Invert Depth | | | | Overall Depth | | | | Weight lbs |
|---|--------------|--------------|--------------|------------|------------|---------------|--------------|------------|------------|-------------|
| | | inches | | mm | | inches | | mm | | |
| | | Female | Male | Female | Male | Female | Male | Female | Male | |
| C1 Sloped channel - 39.37" (1m) | 05511 | 4.41 | 4.65 | 112 | 118 | 5.41 | 5.65 | 137 | 143 | 32.0 |
| C02 Neutral channel - 39.37" (1m) | 05542 | 4.65 | 4.65 | 118 | 118 | 5.65 | 5.65 | 143 | 143 | 32.9 |
| C2 Sloped channel - 39.37" (1m) | 05512 | 4.65 | 4.88 | 118 | 124 | 5.65 | 5.88 | 143 | 149 | 32.9 |
| C3 Sloped channel - 39.37" (1m) | 05513 | 4.88 | 5.12 | 124 | 130 | 5.88 | 6.12 | 149 | 155 | 33.8 |
| C4 Sloped channel - 39.37" (1m) | 05514 | 5.12 | 5.35 | 130 | 136 | 6.12 | 6.35 | 155 | 161 | 34.7 |
| C5 Sloped channel - 39.37" (1m) | 05515 | 5.35 | 5.59 | 136 | 142 | 6.35 | 6.59 | 161 | 167 | 35.6 |
| C6 Sloped channel - 39.37" (1m) | 05516 | 5.59 | 5.83 | 142 | 148 | 6.59 | 6.83 | 167 | 173 | 36.5 |
| C7 Sloped channel - 39.37" (1m) | 05517 | 5.83 | 6.06 | 148 | 154 | 6.83 | 7.06 | 173 | 179 | 37.4 |
| C8 Sloped channel - 39.37" (1m) | 05518 | 6.06 | 6.30 | 154 | 160 | 7.06 | 7.30 | 179 | 185 | 38.3 |
| C9 Sloped channel - 39.37" (1m) | 05519 | 6.30 | 6.54 | 160 | 166 | 7.30 | 7.54 | 185 | 191 | 39.2 |
| C010 Neutral channel - 39.37" (1m) | 05543 | 6.54 | 6.54 | 166 | 166 | 7.54 | 7.54 | 191 | 191 | 40.1 |
| C0103 Neutral channel - 19.69" (0.5m) | 05546 | 6.54 | 6.54 | 166 | 166 | 7.54 | 7.54 | 191 | 191 | 23.0 |
| C10 Sloped channel - 39.37" (1m) | 05520 | 6.54 | 6.77 | 166 | 172 | 7.54 | 7.77 | 191 | 197 | 40.1 |
| C11 Sloped channel - 39.37" (1m) | 05521 | 6.77 | 7.01 | 172 | 178 | 7.77 | 8.01 | 197 | 203 | 41.0 |
| C12 Sloped channel - 39.37" (1m) | 05522 | 7.01 | 7.24 | 178 | 184 | 8.01 | 8.24 | 203 | 209 | 41.9 |
| C13 Sloped channel - 39.37" (1m) | 05523 | 7.24 | 7.48 | 184 | 190 | 8.24 | 8.48 | 209 | 215 | 42.8 |
| C14 Sloped channel - 39.37" (1m) | 05524 | 7.48 | 7.72 | 190 | 196 | 8.48 | 8.72 | 215 | 221 | 43.7 |
| C15 Sloped channel - 39.37" (1m) | 05525 | 7.72 | 7.95 | 196 | 202 | 8.72 | 8.95 | 221 | 227 | 44.6 |
| C16 Sloped channel - 39.37" (1m) | 05526 | 7.95 | 8.19 | 202 | 208 | 8.95 | 9.19 | 227 | 233 | 45.5 |
| C17 Sloped channel - 39.37" (1m) | 05527 | 8.19 | 8.43 | 208 | 214 | 9.19 | 9.43 | 233 | 239 | 46.4 |
| C18 Sloped channel - 39.37" (1m) | 05528 | 8.43 | 8.66 | 214 | 220 | 9.43 | 9.66 | 239 | 245 | 47.3 |
| C19 Sloped channel - 39.37" (1m) | 05529 | 8.66 | 8.90 | 220 | 226 | 9.66 | 9.90 | 245 | 251 | 48.2 |
| C020 Neutral channel - 39.37" (1m) | 05544 | 8.90 | 8.90 | 226 | 226 | 9.90 | 9.90 | 251 | 251 | 49.1 |
| C0203 Neutral channel - 19.69" (0.5m) | 05547 | 8.90 | 8.90 | 226 | 226 | 9.90 | 9.90 | 251 | 251 | 26.0 |
| C20 Sloped channel - 39.37" (1m) | 05530 | 8.90 | 9.13 | 226 | 232 | 9.90 | 10.13 | 251 | 257 | 49.1 |
| C21 Sloped channel - 39.37" (1m) | 05531 | 9.13 | 9.37 | 232 | 238 | 10.13 | 10.37 | 257 | 263 | 50.0 |
| C22 Sloped channel - 39.37" (1m) | 05532 | 9.37 | 9.61 | 238 | 244 | 10.37 | 10.61 | 263 | 269 | 50.9 |
| C23 Sloped channel - 39.37" (1m) | 05533 | 9.61 | 9.84 | 244 | 250 | 10.61 | 10.84 | 269 | 275 | 51.8 |
| C24 Sloped channel - 39.37" (1m) | 05534 | 9.84 | 10.08 | 250 | 256 | 10.84 | 11.08 | 275 | 281 | 52.7 |
| C25 Sloped channel - 39.37" (1m) | 05535 | 10.08 | 10.31 | 256 | 262 | 11.08 | 11.31 | 281 | 287 | 53.6 |
| C26 Sloped channel - 39.37" (1m) | 05536 | 10.31 | 10.55 | 262 | 268 | 11.31 | 11.55 | 287 | 293 | 54.5 |
| C27 Sloped channel - 39.37" (1m) | 05537 | 10.55 | 10.79 | 268 | 274 | 11.55 | 11.79 | 293 | 299 | 55.6 |
| C28 Sloped channel - 39.37" (1m) | 05538 | 10.79 | 11.02 | 274 | 280 | 11.79 | 12.02 | 299 | 305 | 56.5 |
| C29 Sloped channel - 39.37" (1m) | 05539 | 11.02 | 11.26 | 280 | 286 | 12.02 | 12.26 | 305 | 311 | 57.4 |
| C030 Neutral channel - 39.37" (1m) | 05545 | 11.26 | 11.26 | 286 | 286 | 12.26 | 12.26 | 311 | 311 | 58.3 |
| C0303 Neutral channel - 19.69" (0.5m) | 05548 | 11.26 | 11.26 | 286 | 286 | 12.26 | 12.26 | 311 | 311 | 31.0 |
| C30 Sloped channel - 39.37" (1m) | 05540 | 11.26 | 11.50 | 286 | 292 | 12.26 | 12.50 | 311 | 317 | 59.2 |
| In-line Catch Basins - For information on C600 Series catch basins see page 52 | | | | | | | | | | |
| C900 In-line catch basin - 19.69" (0.5m) | 06553 | 22.00 | 22.00 | 560 | 560 | 23.00 | 23.00 | 585 | 585 | 62.0 |
| C900 QuickLok bar (removable) | 98717 | - | - | - | - | - | - | - | - | 0.1 |
| Series 900 Plastic trash bucket | 01498 | - | - | - | - | 9.33 | 9.33 | 237 | 237 | 1.1 |
| Accessories | | | | | | | | | | |
| C306 Closing cap | 05606 | - | - | - | - | 12.50 | 12.50 | 311 | 311 | 4.2 |
| C104-4 4" Inlet cap | 05654 | - | 6.54 | - | 166 | - | 7.54 | - | 191 | 3.2 |
| C204-4 4" Inlet cap | 05655 | - | 8.90 | - | 226 | - | 9.90 | - | 251 | 3.2 |
| C304-4 4" Inlet cap | 05656 | - | 11.26 | - | 286 | - | 12.25 | - | 311 | 3.6 |
| C204-6 6" Inlet cap | 91083 | - | 8.90 | - | 226 | - | 9.90 | - | 251 | 3.2 |
| C304-6 6" Inlet cap | 91085 | - | 11.26 | - | 286 | - | 12.25 | - | 311 | 3.6 |
| C108-4 4" Outlet cap | 05607 | 6.77 | - | 172 | - | 7.77 | - | 197 | - | 3.2 |
| C208-4 4" Outlet cap | 05608 | 9.13 | - | 232 | - | 10.13 | - | 257 | - | 3.2 |
| C308-4 4" Outlet cap | 05609 | 11.50 | - | 292 | - | 12.50 | - | 317 | - | 3.6 |
| C208-6 6" Outlet cap | 91087 | 9.13 | - | 232 | - | 10.13 | - | 257 | - | 3.2 |
| C308-6 6" Outlet cap | 91082 | 11.50 | - | 292 | - | 12.50 | - | 317 | - | 3.6 |
| Type 824 6" Sch. 40 flumed PVC outlet | 95140 | - | - | - | - | - | - | - | - | 1.1 |
| QuickLok locking bar | 02899 | - | - | - | - | - | - | - | - | 0.1 |
| QuickLok/PowerLok grate removal tool | 01318 | - | - | - | - | - | - | - | - | 0.3 |

Notes:

1. Preformed 4" dia. & 6" flumed drill-out outlet cast on underside of every channel
2. Closing cap can be cut down to suit all channels

System layout

Meter channels

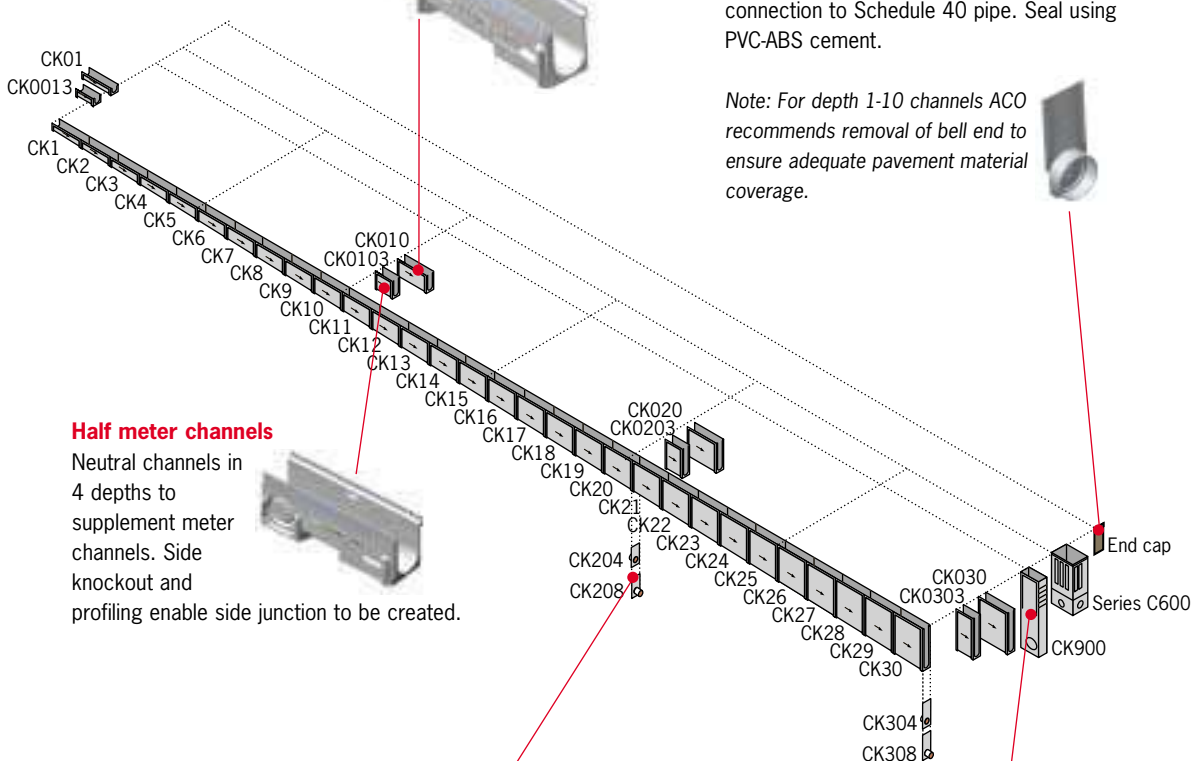
0.6% sloped channels in meter lengths and 30 depths which connect to create 30 meter (98'-5") continuously sloping run.

Neutral channels available in 4 depths. Can be used to create non-sloped runs, or inserted in sloped runs to increase length.

Closing/4" inlet/outlet cap

Fits all channels. Manufactured from gray ABS to complement edge rail. Guides aid cutting to correct height. 4" Bell end connection to Schedule 40 pipe. Seal using PVC-ABS cement.

Note: For depth 1-10 channels ACO recommends removal of bell end to ensure adequate pavement material coverage.



Half meter channels

Neutral channels in 4 depths to supplement meter channels. Side knockout and profiling enable side junction to be created.

6" Sch. 40 inlet/outlet caps

6" Schedule 40 plain end pipe, polypropylene oval to round adapter cast into polymer concrete end cap, available in 2 heights. Solvent weld to coupler.

Note: These end caps cannot be cut to height, and fit only at positions shown in layout diagram.

CK900 catch basin

In-line catch basin with 4" and 6" drill-outs for pipe connection. Available with plastic trash bucket. Options include in-line or side foul air trap.

Any channel can be connected into the catch basin by removing the end wall to the correct height. Drill-outs guide connection to channels 5, 10, 15, 20, 25 and 30.

See Page 32 for flow rates.

Grates

A wide selection of grates available for use with CK100S.

See pages 36-39 for details.



CK100S Parts list

| Description | Part No | Invert Depth | | | | Overall Depth | | | | Weight lbs |
|---|--------------|--------------|--------------|------------|------------|---------------|--------------|------------|------------|-------------|
| | | inches | | mm | | inches | | mm | | |
| | | Female | Male | Female | Male | Female | Male | Female | Male | |
| CK01 Neutral channel - 39.37" (1m) | 06676 | 4.60 | 4.60 | 117 | 117 | 5.47 | 5.47 | 139 | 139 | 27.6 |
| CK0013 Neutral channel - 19.69" (0.5m) | 06722 | 4.60 | 4.60 | 117 | 117 | 5.47 | 5.47 | 139 | 139 | 16.5 |
| CK1 Sloped channel - 39.37" (1m) | 06681 | 4.60 | 4.84 | 117 | 123 | 5.47 | 5.70 | 139 | 145 | 28.4 |
| CK2 Sloped channel - 39.37" (1m) | 06682 | 4.84 | 5.07 | 123 | 129 | 5.70 | 5.94 | 145 | 151 | 29.3 |
| CK3 Sloped channel - 39.37" (1m) | 06683 | 5.07 | 5.31 | 129 | 135 | 5.94 | 6.18 | 151 | 157 | 30.1 |
| CK4 Sloped channel - 39.37" (1m) | 06684 | 5.31 | 5.55 | 135 | 141 | 6.18 | 6.41 | 157 | 163 | 30.9 |
| CK5 Sloped channel - 39.37" (1m) | 06685 | 5.55 | 5.78 | 141 | 147 | 6.41 | 6.65 | 163 | 169 | 31.8 |
| CK6 Sloped channel - 39.37" (1m) | 06686 | 5.78 | 6.02 | 147 | 153 | 6.65 | 6.88 | 169 | 175 | 32.6 |
| CK7 Sloped channel - 39.37" (1m) | 06687 | 6.02 | 6.25 | 153 | 159 | 6.88 | 7.12 | 175 | 181 | 33.5 |
| CK8 Sloped channel - 39.37" (1m) | 06688 | 6.25 | 6.49 | 159 | 165 | 7.12 | 7.36 | 181 | 187 | 34.3 |
| CK9 Sloped channel - 39.37" (1m) | 06689 | 6.49 | 6.73 | 165 | 171 | 7.36 | 7.59 | 187 | 193 | 35.1 |
| CK10 Sloped channel - 39.37" (1m) | 06690 | 6.73 | 6.96 | 171 | 177 | 7.59 | 7.83 | 193 | 199 | 35.7 |
| CK010 Neutral channel - 39.37" (1m) | 99453 | 6.96 | 6.96 | 177 | 177 | 7.83 | 7.83 | 199 | 199 | 36.8 |
| CK0103 Neutral channel - 19.69" (0.5m) | 99462 | 6.96 | 6.96 | 177 | 177 | 7.83 | 7.83 | 199 | 199 | 20.5 |
| CK11 Sloped channel - 39.37" (1m) | 06691 | 6.96 | 7.20 | 177 | 183 | 7.83 | 8.07 | 199 | 205 | 37.6 |
| CK12 Sloped channel - 39.37" (1m) | 06692 | 7.20 | 7.44 | 183 | 189 | 8.07 | 8.31 | 205 | 211 | 38.5 |
| CK13 Sloped channel - 39.37" (1m) | 06693 | 7.44 | 7.68 | 189 | 195 | 8.31 | 8.54 | 211 | 217 | 39.3 |
| CK14 Sloped channel - 39.37" (1m) | 06694 | 7.68 | 7.92 | 195 | 201 | 8.54 | 8.78 | 217 | 223 | 40.1 |
| CK15 Sloped channel - 39.37" (1m) | 06695 | 7.92 | 8.14 | 201 | 207 | 8.78 | 9.01 | 223 | 229 | 41.0 |
| CK16 Sloped channel - 39.37" (1m) | 06696 | 8.14 | 8.38 | 207 | 213 | 9.01 | 9.25 | 229 | 235 | 41.8 |
| CK17 Sloped channel - 39.37" (1m) | 06697 | 8.38 | 8.62 | 213 | 219 | 9.25 | 9.48 | 235 | 241 | 42.7 |
| CK18 Sloped channel - 39.37" (1m) | 06698 | 8.62 | 8.86 | 219 | 225 | 9.48 | 9.72 | 241 | 247 | 43.5 |
| CK19 Sloped channel - 39.37" (1m) | 06699 | 8.86 | 9.09 | 225 | 231 | 9.72 | 9.96 | 247 | 253 | 44.3 |
| CK20 Sloped channel - 39.37" (1m) | 06700 | 9.09 | 9.33 | 231 | 237 | 9.96 | 10.19 | 253 | 259 | 45.2 |
| CK020 Neutral channel - 39.37" (1m) | 99478 | 9.33 | 9.33 | 237 | 237 | 10.19 | 10.19 | 259 | 259 | 46.0 |
| CK0203 Neutral channel - 19.69" (0.5m) | 99489 | 9.33 | 9.33 | 237 | 237 | 10.19 | 10.19 | 259 | 259 | 24.5 |
| CK21 Sloped channel - 39.37" (1m) | 06701 | 9.33 | 9.56 | 237 | 243 | 10.19 | 10.43 | 259 | 265 | 46.8 |
| CK22 Sloped channel - 39.37" (1m) | 06702 | 9.56 | 9.80 | 243 | 249 | 10.43 | 10.66 | 265 | 271 | 47.7 |
| CK23 Sloped channel - 39.37" (1m) | 06703 | 9.80 | 10.04 | 249 | 255 | 10.66 | 10.90 | 271 | 277 | 48.5 |
| CK24 Sloped channel - 39.37" (1m) | 06704 | 10.04 | 10.27 | 255 | 261 | 10.90 | 11.14 | 277 | 283 | 49.3 |
| CK25 Sloped channel - 39.37" (1m) | 06705 | 10.27 | 10.51 | 261 | 267 | 11.14 | 11.38 | 283 | 289 | 50.2 |
| CK26 Sloped channel - 39.37" (1m) | 06706 | 10.51 | 10.74 | 267 | 273 | 11.38 | 11.61 | 289 | 295 | 51.0 |
| CK27 Sloped channel - 39.37" (1m) | 06707 | 10.74 | 10.98 | 273 | 279 | 11.61 | 11.85 | 295 | 301 | 51.9 |
| CK28 Sloped channel - 39.37" (1m) | 06708 | 10.98 | 11.22 | 279 | 285 | 11.85 | 12.08 | 301 | 307 | 52.7 |
| CK29 Sloped channel - 39.37" (1m) | 06709 | 11.22 | 11.45 | 285 | 291 | 12.08 | 12.32 | 307 | 313 | 53.5 |
| CK30 Sloped channel - 39.37" (1m) | 06710 | 11.45 | 11.69 | 291 | 297 | 12.32 | 12.55 | 313 | 319 | 54.4 |
| CK030 Neutral channel - 39.37" (1m) | 99469 | 11.69 | 11.69 | 297 | 297 | 12.55 | 12.55 | 319 | 319 | 55.8 |
| CK0303 Neutral channel - 19.69" (0.5m) | 99503 | 11.69 | 11.69 | 297 | 297 | 12.55 | 12.55 | 319 | 319 | 29.0 |
| In-line Catch Basins - For information on C600 Series catch basins see page 52 | | | | | | | | | | |
| CK900 In-line catch basin - 19.69" (0.5m) | 96484 | 24.00 | 24.00 | 610 | 610 | 25.00 | 25.00 | 635 | 635 | 71.2 |
| CK900 QuickLok bar (removable) | 98717 | - | - | - | - | - | - | - | - | 0.1 |
| Series 900 Plastic trash bucket | 01498 | - | - | - | - | 9.33 | 9.33 | 237 | 237 | 1.2 |
| Foul air trap (See page 54) | 90854 | - | - | - | - | - | - | - | - | 1.2 |
| Accessories | | | | | | | | | | |
| Universal plastic closing/4" inlet/outlet cap | 96825 | - | - | - | - | 12.55 | 12.55 | 319 | 319 | 0.4 |
| CKS204-6 6" Inlet cap | 97174 | - | 9.33 | - | 237 | - | 10.19 | - | 259 | 3.2 |
| CKS208-6 6" Outlet cap | 97231 | 9.33 | - | 237 | - | 10.19 | - | 259 | - | 3.2 |
| CKS304-6 6" Inlet cap | 97148 | - | 11.69 | - | 297 | - | 12.55 | - | 319 | 3.6 |
| CKS308-6 6" Outlet cap | 97203 | 11.69 | - | 297 | - | 12.55 | - | 319 | - | 3.6 |
| Type 824 6" Sch. 40 flumed PVC outlet | 95140 | - | - | - | - | - | - | - | - | 1.1 |
| QuickLok locking bar | 02899 | - | - | - | - | - | - | - | - | 0.1 |
| QuickLok/PowerLok grate removal tool | 01318 | - | - | - | - | - | - | - | - | 0.3 |

Notes:

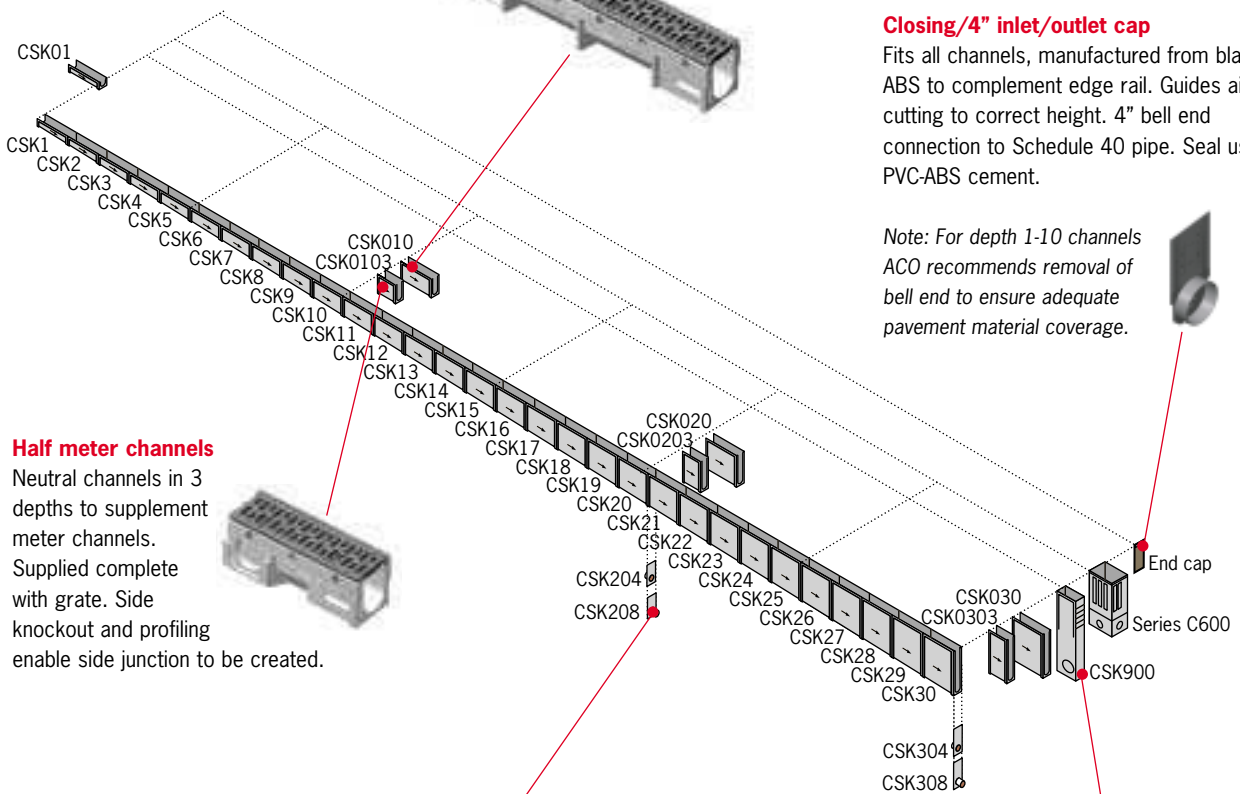
1. Preformed 4" dia. & 6" flumed drill-out outlet cast on underside of every channel
2. Closing cap can be cut down to suit all channels
3. For product dimensional information, see page 32
4. Grade 304 stainless steel rails, ACO recommends the use of non-galvanized grates with stainless steel rails to avoid galvanic corrosion.

System layout

Meter channels

0.6% sloped channels in meter lengths and 30 depths which connect to create 30 meter (98'-5") continuously sloping run. Supplied complete with grate.

Neutral channels available in 4 depths. Can be used to create non-sloped runs, or inserted in sloped runs to increase length.



Half meter channels

Neutral channels in 3 depths to supplement meter channels. Supplied complete with grate. Side knockout and profiling enable side junction to be created.

6" Sch. 40 inlet/outlet caps

6" Schedule 40 plain end pipe, polypropylene oval to round adapter cast into polymer concrete end cap, available in 2 heights. Solvent weld to coupler.

Note: These end caps cannot be cut to height, and fit only at positions shown in layout diagram.

Grates

Supplied complete with choice of slotted or ADA compliant ductile iron grate.

See page 44 for details.

Closing/4" inlet/outlet cap

Fits all channels, manufactured from black ABS to complement edge rail. Guides aid cutting to correct height. 4" bell end connection to Schedule 40 pipe. Seal using PVC-ABS cement.

Note: For depth 1-10 channels ACO recommends removal of bell end to ensure adequate pavement material coverage.

CSK900 catch basin

In-line catch basin with 4" and 6" drill-outs for pipe connection. Supplied with grate. Available with plastic trash bucket. Options include in-line or side foul air trap.

Any channel can be connected into the catch basin by removing the end wall to the correct height. Drill-outs guide connection to channels 5, 10, 15, 20, 25 and 30.

See Page 46 for flow rates.

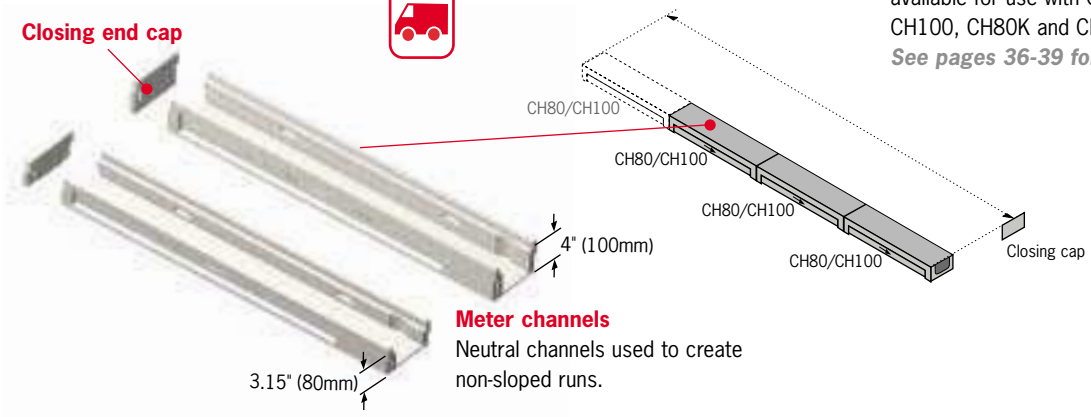
CS100K Parts list

| Description | Part No | | Invert Depth | | | | Overall Depth | | | | Weight lbs |
|---|--------------|--------------|--------------|--------------|------------|------------|---------------|--------------|------------|------------|--------------|
| | | | inches | | mm | | inches | | mm | | |
| | Slotted | ADA | Female | Male | Female | Male | Female | Male | Female | Male | |
| CSK01 Neutral channel - 39.37" (1m) | 90404 | 90405 | 4.41 | 4.41 | 112 | 112 | 5.41 | 5.41 | 137 | 137 | 74.4 |
| CSK1 Sloped channel - 39.37" (1m) | 90417 | 90418 | 4.41 | 4.65 | 112 | 118 | 5.41 | 5.65 | 137 | 143 | 75.4 |
| CSK2 Sloped channel - 39.37" (1m) | 90426 | 90427 | 4.65 | 4.88 | 118 | 124 | 5.65 | 5.88 | 143 | 149 | 76.4 |
| CSK3 Sloped channel - 39.37" (1m) | 90431 | 90432 | 4.88 | 5.12 | 124 | 130 | 5.88 | 6.12 | 149 | 155 | 77.5 |
| CSK4 Sloped channel - 39.37" (1m) | 90448 | 90449 | 5.12 | 5.35 | 130 | 136 | 6.12 | 6.35 | 155 | 161 | 78.5 |
| CSK5 Sloped channel - 39.37" (1m) | 90455 | 90456 | 5.35 | 5.59 | 136 | 142 | 6.35 | 6.59 | 161 | 167 | 79.5 |
| CSK6 Sloped channel - 39.37" (1m) | 90463 | 90464 | 5.59 | 5.83 | 142 | 148 | 6.59 | 6.83 | 167 | 173 | 80.5 |
| CSK7 Sloped channel - 39.37" (1m) | 90472 | 90473 | 5.83 | 6.06 | 148 | 154 | 6.83 | 7.06 | 173 | 179 | 81.5 |
| CSK8 Sloped channel - 39.37" (1m) | 90481 | 90482 | 6.06 | 6.30 | 154 | 160 | 7.06 | 7.30 | 179 | 185 | 82.5 |
| CSK9 Sloped channel - 39.37" (1m) | 90497 | 90497 | 6.30 | 6.54 | 160 | 166 | 7.30 | 7.54 | 185 | 191 | 83.6 |
| CSK10 Sloped channel - 39.37" (1m) | 90506 | 90507 | 6.54 | 6.77 | 166 | 172 | 7.54 | 7.77 | 191 | 197 | 84.6 |
| CSK010 Neutral channel - 39.37" (1m) | 90514 | 90515 | 6.77 | 6.77 | 172 | 172 | 7.77 | 7.77 | 197 | 197 | 85.6 |
| CSK0103 Neutral channel - 19.69" (0.5m) | 90522 | 90523 | 6.77 | 6.77 | 172 | 172 | 7.77 | 7.77 | 197 | 197 | 44.2 |
| CSK11 Sloped channel - 39.37" (1m) | 90539 | 90541 | 6.77 | 7.01 | 172 | 178 | 7.77 | 8.01 | 197 | 203 | 86.6 |
| CSK12 Sloped channel - 39.37" (1m) | 90540 | 90542 | 7.01 | 7.24 | 178 | 184 | 8.01 | 8.24 | 203 | 209 | 87.5 |
| CSK13 Sloped channel - 39.37" (1m) | 90555 | 90556 | 7.24 | 7.48 | 184 | 190 | 8.24 | 8.48 | 209 | 215 | 88.5 |
| CSK14 Sloped channel - 39.37" (1m) | 90563 | 90564 | 7.48 | 7.72 | 190 | 196 | 8.48 | 8.72 | 215 | 221 | 89.5 |
| CSK15 Sloped channel - 39.37" (1m) | 90577 | 90578 | 7.72 | 7.95 | 196 | 202 | 8.72 | 8.95 | 221 | 227 | 90.4 |
| CSK16 Sloped channel - 39.37" (1m) | 90581 | 90582 | 7.95 | 8.19 | 202 | 208 | 8.95 | 9.19 | 227 | 233 | 91.4 |
| CSK17 Sloped channel - 39.37" (1m) | 90598 | 90599 | 8.19 | 8.43 | 208 | 214 | 9.19 | 9.43 | 233 | 239 | 92.3 |
| CSK18 Sloped channel - 39.37" (1m) | 90600 | 90601 | 8.43 | 8.66 | 214 | 220 | 9.43 | 9.66 | 239 | 245 | 93.3 |
| CSK19 Sloped channel - 39.37" (1m) | 90619 | 90620 | 8.66 | 8.90 | 220 | 226 | 9.66 | 9.90 | 245 | 251 | 94.3 |
| CSK20 Sloped channel - 39.37" (1m) | 90626 | 90627 | 8.90 | 9.13 | 226 | 232 | 9.90 | 10.13 | 251 | 257 | 95.2 |
| CSK020 Neutral channel - 39.37" (1m) | 90634 | 90635 | 9.13 | 9.13 | 232 | 232 | 10.13 | 10.13 | 257 | 257 | 96.2 |
| CSK0203 Neutral channel - 19.69" (0.5m) | 90839 | 90840 | 9.13 | 9.13 | 232 | 232 | 10.13 | 10.13 | 257 | 257 | 49.7 |
| CSK21 Sloped channel - 39.37" (1m) | 90642 | 90643 | 9.13 | 9.37 | 232 | 238 | 10.13 | 10.37 | 257 | 263 | 97.2 |
| CSK22 Sloped channel - 39.37" (1m) | 90654 | 90655 | 9.37 | 9.61 | 238 | 244 | 10.37 | 10.61 | 263 | 269 | 98.1 |
| CSK23 Sloped channel - 39.37" (1m) | 90666 | 90667 | 9.61 | 9.84 | 244 | 250 | 10.61 | 10.84 | 269 | 275 | 99.1 |
| CSK24 Sloped channel - 39.37" (1m) | 90678 | 90679 | 9.84 | 10.08 | 250 | 256 | 10.84 | 11.08 | 275 | 281 | 100.1 |
| CSK25 Sloped channel - 39.37" (1m) | 90683 | 90684 | 10.08 | 10.31 | 256 | 262 | 11.08 | 11.31 | 281 | 287 | 101.0 |
| CSK26 Sloped channel - 39.37" (1m) | 90691 | 90692 | 10.31 | 10.55 | 262 | 268 | 11.31 | 11.55 | 287 | 293 | 102.0 |
| CSK27 Sloped channel - 39.37" (1m) | 90707 | 90708 | 10.55 | 10.79 | 268 | 274 | 11.55 | 11.79 | 293 | 299 | 103.0 |
| CSK28 Sloped channel - 39.37" (1m) | 90715 | 90716 | 10.79 | 11.02 | 274 | 280 | 11.79 | 12.02 | 299 | 305 | 103.9 |
| CSK29 Sloped channel - 39.37" (1m) | 90729 | 90731 | 11.02 | 11.26 | 280 | 286 | 12.02 | 12.26 | 305 | 311 | 104.9 |
| CSK30 Sloped channel - 39.37" (1m) | 90730 | 90732 | 11.26 | 11.50 | 286 | 292 | 12.26 | 12.50 | 311 | 317 | 105.8 |
| CSK030 Neutral channel - 39.37" (1m) | 90743 | 90744 | 11.50 | 11.50 | 292 | 292 | 12.50 | 12.50 | 317 | 317 | 106.8 |
| CSK0303 Neutral channel - 19.69" (0.5m) | 90847 | 90848 | 11.50 | 11.50 | 292 | 292 | 12.50 | 12.50 | 317 | 317 | 55.0 |
| In-line Catch Basins - For information on C600 Series catch basins see page 52 | | | | | | | | | | | |
| CSK900 In-line catch basin - 19.69" (0.5m) | 90792 | 90793 | - | - | - | - | 25.00 | 25.00 | 635 | 635 | 102.4 |
| Series 900 Plastic trash bucket | 01498 | 01498 | - | - | - | - | 9.33 | 9.33 | 237 | 237 | 1.1 |
| Foul air trap (See page 54) | 90854 | 90854 | - | - | - | - | - | - | - | - | 1.2 |
| Accessories | | | | | | | | | | | |
| Universal plastic closing/4" inlet/outlet cap | 95063 | 95063 | - | - | - | - | 12.50 | 12.50 | 317 | 317 | 0.4 |
| CSK204-6 6" Inlet cap | 90852 | 90852 | - | 9.13 | - | 232 | - | 10.13 | - | 257 | 4.8 |
| CSK208-6 6" Outlet cap | 90857 | 90857 | 9.13 | - | 232 | - | 10.13 | - | 257 | - | 4.8 |
| CSK304-6 6" Inlet cap | 90855 | 90855 | - | 11.50 | - | 292 | - | 12.50 | - | 317 | 6.1 |
| CSK308-6 6" Outlet cap | 90853 | 90853 | 11.50 | - | 292 | - | 12.50 | - | 317 | - | 6.1 |
| Type 824 6" Sch. 40 flumed PVC outlet | 95140 | 95140 | - | - | - | - | - | - | - | - | 1.1 |
| QuickLok/PowerLok grate removal tool | 01318 | 01318 | - | - | - | - | - | - | - | - | 0.3 |

Notes:

1. PowerDrain is sold complete, i.e., channel with grate. Choose appropriate part number from table depending on grate required
2. ADA grate - Add 2.6lbs to calculate weight for one meter channels and 1.3lbs to half meter channels and CSK900 catch basin
3. Preformed 4" dia. & 6" flumed drill-out outlet cast on underside of every channel
4. Closing cap can be cut down to suit all channels
5. For product dimensional information, see page 46

CH80 / CH100

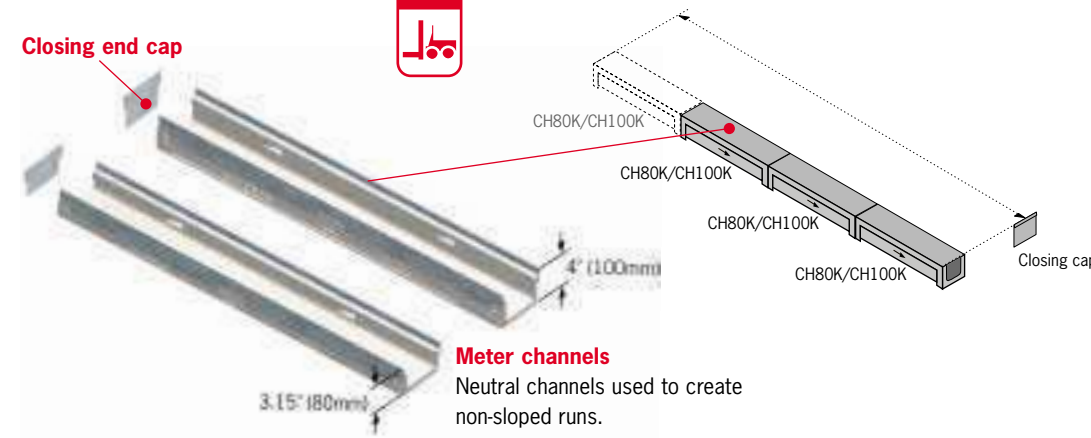


Meter channels
Neutral channels used to create non-sloped runs.

Grates

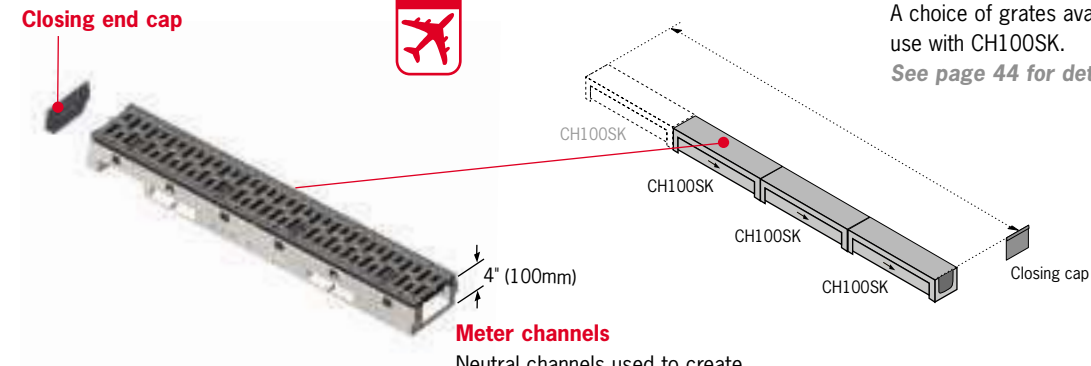
A wide selection of grates available for use with CH80, CH100, CH80K and CH100K.
See pages 36-39 for details.

CH80K / CH100K



Meter channels
Neutral channels used to create non-sloped runs.

CH100SK



Meter channels
Neutral channels used to create non-sloped runs.

Grates

A choice of grates available for use with CH100SK.
See page 44 for details.



CH80 / CH100 Parts list

| Description | Part No | Invert Depth | | Weight | | |
|-------------------------------------|--------------|--------------|------|--------|------|------|
| | | inches | | mm | | |
| | | Female | Male | Female | Male | lbs |
| CH80 Neutral channel - 39.37" (1m) | 05960 | 2.56 | 2.56 | 65 | 65 | 20.0 |
| CH100 Neutral channel - 39.37" (1m) | 05961 | 3.35 | 3.35 | 85 | 85 | 25.0 |
| CH80 Vinyl ester closing cap | 05962 | 2.56 | 2.56 | 65 | 65 | 1.0 |
| CH100 Vinyl ester closing cap | 05963 | 3.35 | 3.35 | 85 | 85 | 1.0 |

Notes:

1. Add nominal 0.6" (15mm) to invert depth for overall channel depth
2. Preformed Sch. 40 4" dia. drill-out cast on underside of each channel
3. See pages 36-39 for details on suitable grates, recommended max. load Class C (56,000lb - 280psi)
4. Use QuickLok/PowerLok grate removal tool to remove grates (Part # 01318)

CH80K / CH100K Parts list

| Description | Part No | Invert Depth | | Weight | | |
|--------------------------------------|--------------|--------------|------|--------|------|------|
| | | inches | | mm | | |
| | | Female | Male | Female | Male | lbs |
| CH80K Neutral channel - 39.37" (1m) | 95375 | 2.56 | 2.56 | 65 | 65 | 16.0 |
| CH100K Neutral channel - 39.37" (1m) | 95374 | 3.35 | 3.35 | 85 | 85 | 21.4 |
| CH80K Stainless steel closing cap | 98471 | 2.56 | 2.56 | 65 | 65 | 1.0 |
| CH100K Stainless steel closing cap | 96740 | 3.35 | 3.35 | 85 | 85 | 1.0 |

Notes:

1. CH80KS and CH100KS have Grade 304 stainless steel rails
2. Add nominal 0.6" (15mm) to invert depth for overall channel depth
3. Preformed Sch. 40 4" dia. drill-out cast on underside of each channel
4. See pages 36-39 for details on suitable grates
5. Use QuickLok/PowerLok grate removal tool to remove grates (Part # 01318)

CH100SK Parts list

| Description | Part No | Invert Depth | | Weight | | |
|---|--------------|--------------|------|--------|------|------|
| | | inches | | mm | | |
| | | Female | Male | Female | Male | lbs |
| CH100SK Neutral channel - 39.37" (1m) complete with slotted ductile grate | 93441 | 2.95 | 2.95 | 75 | 75 | 69.5 |
| CH100SK Neutral channel - 39.37" (1m) complete with ADA ductile grate | 93452 | 2.95 | 2.95 | 75 | 75 | 72.1 |
| CH100SK Plastic closing cap | 97334 | 2.95 | 2.95 | 75 | 75 | 1.0 |

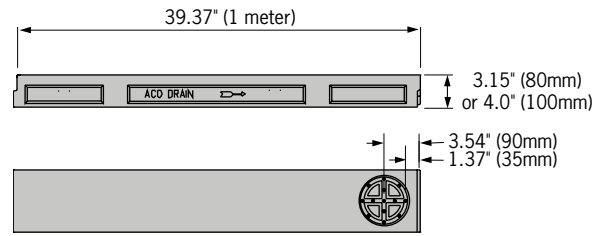
Notes:

1. CH100SK is sold complete. i.e., channel with grate.
2. Add nominal 1.0" (25mm) to invert depth for overall channel depth
3. Preformed Sch. 40 4" dia. drill-out cast on underside of each channel
4. See page 44 for details on suitable grates
5. Use QuickLok/PowerLok grate removal tool to remove grates (Part # 01318)

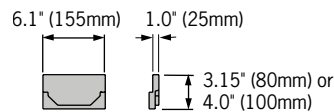
Flow rates

| Outlet | Product | Outlet Size (Sch 40) | Invert Depth | GPM | CFS |
|----------------------|---------|----------------------|--------------|-----|------|
| CH80/CH80K channel | | 4" round | 2.56 | 87 | 0.20 |
| CH100/CH100K channel | | 4" round | 3.35 | 99 | 0.23 |
| CH100SK channel | | 4" round | 2.95 | 93 | 0.21 |

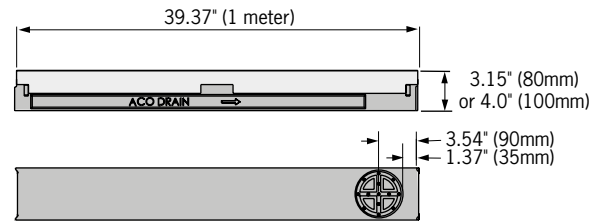
CH80 / CH100 channel



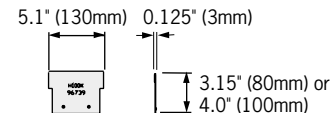
Closing cap



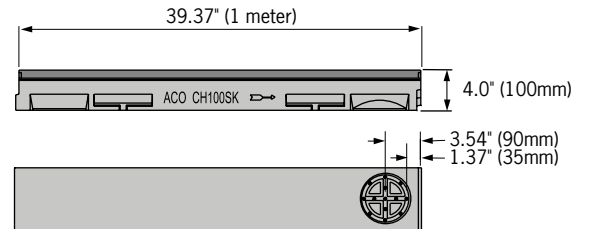
CH80K / CH100K channel



Closing cap



CH100SK channel



Closing cap

