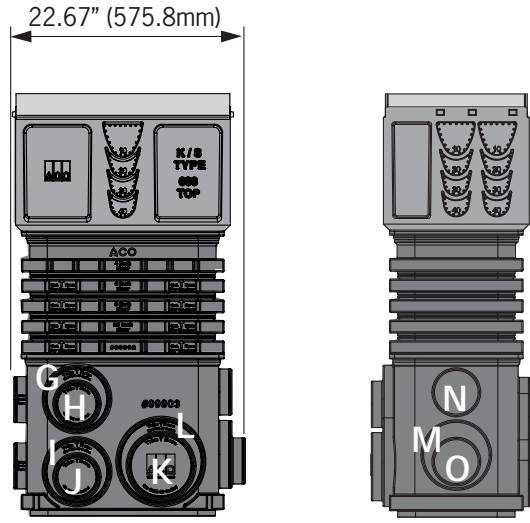
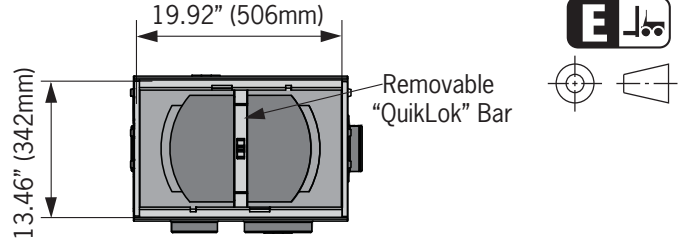
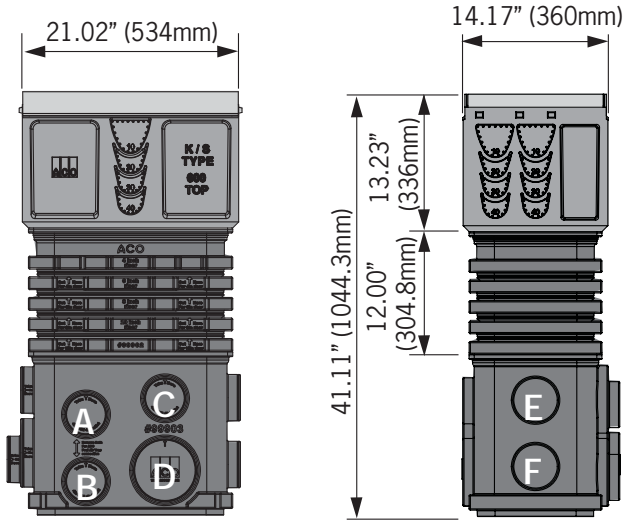


ChemDrain - CK1-631S Catch Basin

CK1-631S Catch Basin



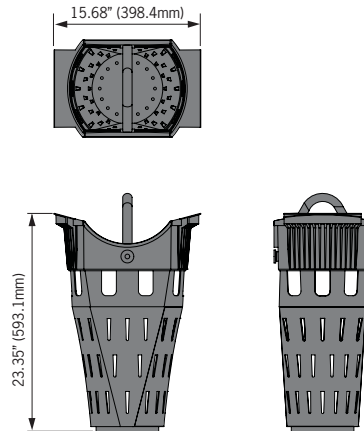
Outlet flow rates

Outlet	Product	Outlet size (Sch. 40)	Invert Depth	GPM	CFS
A	Type CK1-631S	4" round	33.29"	305	0.68
B	Type CK1-631S	4" round	39.79"	335	0.75
C	Type CK1-631S	4" round	31.72"	297	0.66
D	Type CK1-631S	6" round	39.79"	743	1.66
E	Type CK1-631S	4" round	31.84"	297	0.66
F	Type CK1-631S	4" round	38.34"	328	0.73
G	Type CK1-631S	6" round	32.62"	667	1.49
H	Type CK1-631S	4" round	32.07"	299	0.67
I	Type CK1-631S	6" round	39.76"	743	1.65
J	Type CK1-631S	4" round	39.19"	332	0.74
K	Type CK1-631S	6" round	39.19"	737	1.64
L	Type CK1-631S	8" round	39.76"	1302	2.90
M	Type CK1-631S	6" round	38.28"	728	1.62
N	Type CK1-631S	4" round	31.15"	294	0.65
O	Type CK1-631S	4" round	37.86"	326	0.73

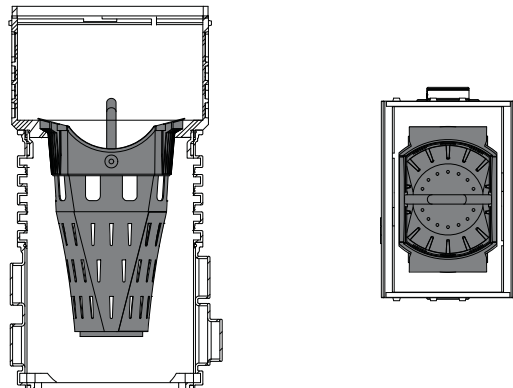
Note:

- These are the pipe flow rates at the specified outlet, **NOT** channel flow rates.
*Flow rates without trash bucket - using trash bucket or filter bag reduces flow rates.
- 4" diameter foul air trap, part# 90854, can be fitted to catch basin base at outlet positions A/B and E/F

Trash Bucket



Note: Openings in trash bucket are 74.4"² (48,028mm²)



Note: Trash bucket position within CK1-631S catch basin body and base

ACO Specification Information

ACO DRAIN

ChemDrain - CK1-631S Catch Basin



ACO Specification Information

Description	Part No.	Invert Depth		Weight lbs.
		inches	mm	
Type 631S Catch basin assembly - top, removable "QuickLok" bar, riser, trash bucket & base	74652	40.86	1038	55.8
Catch Basin Components				
Foul air trap - fits both Type 900 & Type 600 basins	90854	-	-	1.2
QuickLok grate removal tool	01318	-	-	0.3

Specifications		Water absorption	0.07%	and pavement surface. The base and riser unit shall be a LLDPE plastic molding and incorporate molded plastic pipe stubbs to facilitate pipe connection.
General The catch basin shall be ACO Drain CK1-631S Catch Basin - comprising of top section, riser, trash bucket and base as manufactured by ACO Polymer Products, Inc. or similar approved.		Frost proof	YES	
		Salt proof	YES	
		Dilute acid and alkali resistant	YES	
Materials The top unit body shall be manufactured from vinyl ester polymer concrete with minimum properties as follows:		The nominal clear opening shall be 13.46" (342mm) wide by 19.92" (506mm) long. Overall width of 22.70" (575.8mm) by 15.38" (390.6mm) long. Type CK1-631S catch basin assembly has overall depth of 41.11" (1044.3mm). Polymer concrete top units shall incorporate a cast in stainless steel frame manufactured with drillouts for channel connection and have a wall thickness of at least 0.59" (15mm). Top units shall have horizontal cast in anchoring key features on the outside to ensure maximum mechanical bond to the surrounding bedding material		Grates Grates shall be specified. See separate ACO Spec Info grate sheets for details. After removal of grates and 'QuickLok' bar there shall be uninterrupted access to the catch basin to aid maintenance.
Compressive strength:	14,000 psi			Installation The trench drain/catch basin system shall be installed in accordance with the manufacturer's installation instructions and recommendations.
Flexural strength:	4,000 psi			

ACO Polymer Products, Inc.

Northeast Sales Office
P.O. Box 245
Chardon, OH 44024
Tel: (440) 285-7000
Toll free: (800) 543-4764
Fax: (440) 285-7005

West Sales Office
P.O. Box 12067
Casa Grande, AZ 85130
Tel: (520) 421-9988
Toll Free: (888) 490-9552
Fax: (520) 421-9899

Southeast Sales Office
4211 Pleasant Road
Fort Mill, SC 29708
Toll free: (800) 543-4764
Fax: (803) 802-1063



Electronic Contact:
info@ACODrain.us
www.ACODrain.us



© April 9, 2013 ACO Polymer Products, Inc. This information is believed to be accurate but it is not guaranteed to be so. We cannot assume liability for results that buyer obtains with our product since conditions of use are beyond the control of the company. It is the customer's responsibility to evaluate suitability and safety of product for his own use. ACO Polymer Products Inc. reserves the right to change the product and specifications without notice.