



Product Features

- Certified to EN 1433 Load Class E - 135,000 lbs - 2,323 psi
- Supplied with ½ -13 x 1¼" hex head bolts to lock down grate
- Manufactured from ductile iron to ASTM A 536-84 - Grade 65-45-12
- E-coated for improved resistance against rust
- Bicycle Tire Penetration Resistant to AS 3996 - 2006
- Suitable for use with F660 catch basin



Specifications

General

The surface drainage system shall be ACO Drain F660 catch basin with ductile iron slotted grate with bolt locking as manufactured by ACO, Inc. or similar approved.

Materials

The covers shall be manufactured from ductile iron and have **minimum** properties as follows:

- **Independently certified to meet Load Class E to EN 1433 - 135,000 lbs - 2,323 psi**
- **Ductile iron to ASTM A 536-84 - Grade 65-45-12**
- **Intake area of 130.0 sq. in. (838.7 cm²) per 24" grate**

The overall width of 14.75" (375mm) and overall length of 24" (610mm). Slots measure 5.3" (135mm) by 1.2" (30mm) and 6.1" (155mm) by 1.2" (30mm).

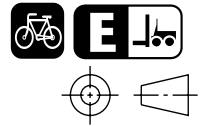
Installation

The trench drain* or catch basin* system and grates shall be installed in accordance with the manufacturer's installation instructions and recommendations.

* delete as appropriate

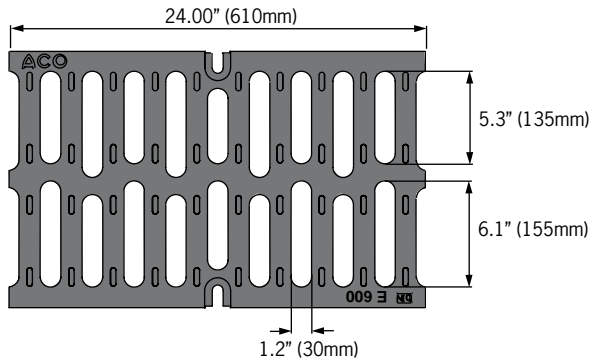
ACO DRAIN

F660 Slotted ductile iron grate



ACO Specification Information

Plan view



Side elevation



Description	Part No.	Length inches (mm)	Width inches (mm)	Weight lbs.
F660 Ductile iron slotted grate	97449	24.00 (610)	14.75 (375)	75.0
Replacement stainless steel hex head bolts (Qty 2)	93892	-	-	0.2

ACO, Inc.
Northeast Sales Office
 9470 Pinecone Drive
 Mentor, OH 44060
 Tel: (440) 639-7230
 Toll free: (800) 543-4764
 Fax: (440) 639-7235

West Sales Office
 825 W. Beechcraft St.
 Casa Grande, AZ 85122
 Tel: (520) 421-9988
 Toll Free: (888) 490-9552
 Fax: (520) 421-9899

Southeast Sales Office
 4211 Pleasant Road
 Fort Mill, SC 29708
 Toll free: (800) 543-4764
 Fax: (803) 802-1063



Electronic Contact:
 info@ACODrain.us
 www.ACODrain.us



© April 2018, ACO, Inc. This information is believed to be accurate but it is not guaranteed to be so. We cannot assume liability for results that buyer obtains with our product since conditions of use are beyond the control of the company. It is the customer's responsibility to evaluate suitability and safety of product for his own use. ACO, Inc. reserves the right to change the product and specifications without notice.

April 2018

www.ACODrain.us